

TOP DIAMOND ONE DESIGNERS

Diane Welch
Lowe's 2715 Milton, FL



Joyce Gleason
Lowe's 2223 Mechanicsburg, PA



Patricia Saumier
Lowe's 1843 Bradenton, FL



Roy Lawson
Lowe's 471 Hagerstown, MD



John Farrington
Lowe's 1608 Toms River, NJ



Karen Kornbau
Lowe's 2687 East Lancaster, PA



Penny Brown
Lowe's 31 Hendersonville, NC



Sage Taylor
Lowe's 1913 South Burlington, VT





Diamond[®] One

Custom Cabinetry, *Simplified.*

9

POPULAR
DOOR
STYLES

14

ON-
TREND
FINISHES



NO COMPLICATED
UPCHARGES



FREE
DELIVERY

Why
Diamond One

How to
Order

Doors

Finishes

Construction

Mods &
Glass

Wall

Base

Tall

Vanity

Universal
Access

Moulding

Accessories

Service &
Policies



DESIGN WITH A LOWE'S DESIGN PROFESSIONAL



WORK WITH A DIAMOND ONLINE DESIGNER



DIAMOND ONE SKU LIST*

*See linked SKU list for available products not currently shown in the spec book.

DESIGN WITH A LOWE'S DESIGN PROFESSIONAL

WORK WITH A DIAMOND ONLINE DESIGNER

DIAMOND ONE SKU LIST

Why Diamond One

How to Order

Doors

Finishes

Construction

Mods & Glass

Wall

Base

Tall

Vanity

Universal Access

Moulding

Accessories

Service & Policies

SEE A KITCHEN SPECIALIST FOR A FREE KITCHEN OR BATH DESIGN & PROJECT ASSISTANCE.



Meet one-on-one with a kitchen specialist to discuss:

- Cabinet Styles & Finishes
- Project Materials & Colors
- Lowe's Service Options — Ranging from Measurement to Installation

[LOCATE NEAREST LOWE'S](#)

DESIGN WITH A
LOWE'S DESIGN
PROFESSIONAL

WORK WITH A
DIAMOND ONLINE
DESIGNER

Why
Diamond One

How to
Order

Doors

Finishes

Construction

Mods &
Glass

Wall

Base

Tall

Vanity

Universal
Access

Moulding

Accessories

Service &
Policies

ONLINE CABINETS DESIGN EXPERTS

We bring your dream project to life from the comfort of your own home.



2,000+ Verified Consumer Reviews

- See your entire kitchen design in full color renderings with fully measured floor plans, wall elevations, and itemized cabinet pricing.



**DOWNLOAD SAMPLE
DESIGN PACKET**

- Our refundable \$299 Design Package includes everything needed to share with your installers and/or builder. If you move forward with the purchase of your cabinets, you'll receive a \$299 credit.
- Send us a few kitchen photos, a quick video, basic measurements and your completed design questionnaire (which we'll provide!). Then, we'll create a personalized initial design capturing just what you want in your ideal kitchen.



DESIGN WITH A
LOWE'S DESIGN
PROFESSIONAL

WORK WITH A
DIAMOND ONLINE
DESIGNER

Why
Diamond One

How to
Order

Doors

Finishes

Construction

Mods &
Glass

Wall

Base

Tall

Vanity

Universal
Access

Moulding

Accessories

Service &
Policies

Diamond[®] One



Ashland FO
Paint, Stain
TrueColor™ *New*



Farrell FO
Paint, Stain



Gresham FO
Paint, Stain
TrueColor™



Haskett FO
Paint, Stain
TrueColor™



Jamestown FO
Paint, Stain
TrueColor™



Jamestown PO *New*
Paint, Stain



Karwin FO
Paint, Stain



Macaulay FO
Paint, Stain
TrueColor™



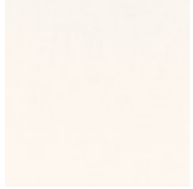
Thorpe FO
Paint, Stain
TrueColor™



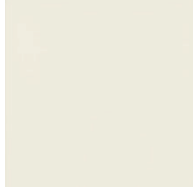
Yorktown FO *New*
Paint, Stain

Diamond[®] One

PAINT



White



Steam *New*



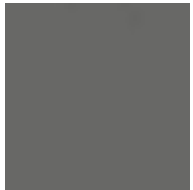
Marcona *New*



Icy
Avalanche



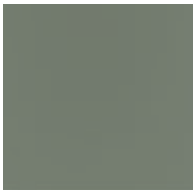
Cloud



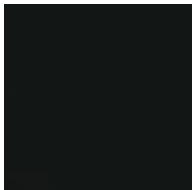
Moonstone



Naval



Retreat



Black

STAIN



Natural



Coastline *New*



Sahara

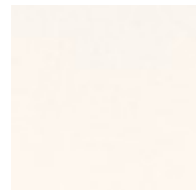


Kanga *New*

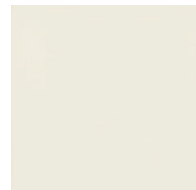


Colt

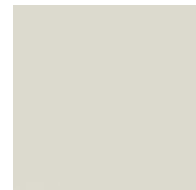
TrueColor™



White



Steam *New*



Icy
Avalanche



Cloud



Strongest Cabinet in the Industry

Diamond's **solid back** allows cabinets to be installed without any support on the left, right, top, or bottom

That is more than double what our competitors can do.

Additional Benefits

- Ease of installation
- Increased shelf support
- Butt doors standard
- Fewer cabinets are needed since one large cabinet fills the space of two smaller

- 1 ½" Furniture Board (Standard Construction) with Matching Laminate Ends
- 2 Solid Back Included
- 3 I-Beam Included
- 4 Soft-Close Doors Included
- 5 Soft-Close, Undermount, Full-Extension Drawer Guides Included
- 6 5-Piece Drawer Front (Included in some series)
- 7 Flat Panel
- 8 Natural Maple Laminate Interior



MOD NAME	APPLICABLE CABINET GROUP	DESCRIPTION
All Plywood Construction (APC)	Most cabinets	½" plywood sides, 3/8" plywood top and bottom. ¾" interior matching plywood shelves. Veneer end panels with Natural Maple laminate interior. ¼" reveal behind face frame.
Cut for Glass (CG)	Select Wall Cabinets	Doors are cut for decorative glass. Glass sold separately.
Furniture End Panels Both (FPEB)	Most cabinets	Modifies cabinet end panels to 3/4" plywood* to achieve a flush appearance with the face frame.
Increased Depth (ID)	Most Wall and Vanity Cabinets	Increases the depth of wall and vanity cabinets in 3" increments to a maximum depth of 24". Increases the depth of end panels in 3" increments to a maximum depth of 30".
Mullion Doors (MD)	Select Wall Cabinets	Doors have mullions built in for decorative glass. MD is not available with Bevel glass. Glass sold separately.
Matching Interior Plywood (MIP)	Most cabinets	Modifies the cabinet interior and end panel exterior to matching finished veneer plywood. Cabinet top and bottom exterior on wall cabinets is also matching finished veneer plywood.
Peninsula (P)	Select Wall and Base Cabinets	Creates a peninsula cabinet that is 1/4" deeper than the standard cabinet depth. If ID or RD is specified, cabinet will be 1/4" deeper than specified cabinet depth. Any adjustable shelves are upgraded to full depth. Peninsula cabinets are not designed to be used as stand-alone island cabinets. <ul style="list-style-type: none"> - A false drawer front and working doors will be placed on the back of a standard base cabinet modified to a peninsula base. - Single door cabinets are hinged on the same cabinet end, for example a W1230L will feature a Left hinge on the front side and a Right hinge on the peninsula side. - The maximum depth for wall cabinets with the Peninsula modification is 18".
Reduced Depth (RD)	Most Wall, Base, Tall, Vanity, and Universal Access Cabinets	<p>Most base, tall, and vanity cabinets with drawers or roll trays</p> <ul style="list-style-type: none"> - For Base and Vanity cabinets reduces the depth in 3" increments to a minimum of 12". - For Tall cabinets reduces the depth in 3" increments to a minimum of 18". - Any specified shelving is included and is always full depth. The dimension is specified as the distance from the front of the face frame to the back of the cabinet. <p>Most base, tall, and vanity cabinets without drawers or roll trays</p> <ul style="list-style-type: none"> - Reduces the depth in 3" increments to a minimum depth of 12". - Any specified shelving is included and is always full depth. - The dimension is specified as the distance from the front of the face frame to the back of the cabinet. <p>Most wall cabinets</p> <ul style="list-style-type: none"> - Reduces the depth in 3" increments to a minimum depth of 6". - Any specified shelving is included and is always full depth. - The dimension is specified as the distance from the front of the face frame to the back of the cabinet. <p>End panels</p> <ul style="list-style-type: none"> - Reduces the depth in 3" increments to a minimum depth of 6".
Recessed Toekick Left (RECTKL) / Recessed Toekick Right (RECTKR)	Most Base, Tall, and Vanity Cabinets	Creates a 3 3/8" recessed toekick on left (RECTKL) or right (RECTKR) the cabinet.
Finished Ends (FB)	Cabinets with All-Plywood construction both ends will be finished	Creates a matching finished ½" veneer plywood exterior.

MODS

GLASS

Why Diamond One

How to Order

Doors

Finishes

Construction

Mods & Glass

Wall

Base

Tall

Vanity

Universal Access

Moulding

Accessories

Service & Policies



Clear



Frost



Seeded



Bevel



Reeded

MODS

GLASS

GLASS AVAILABILITY
CHART

[Why
Diamond One](#)

[How to
Order](#)

[Doors](#)

[Finishes](#)

[Construction](#)

[Mods &
Glass](#)

[Wall](#)

[Base](#)

[Tall](#)

[Vanity](#)

[Universal
Access](#)

[Moulding](#)

[Accessories](#)

[Service &
Policies](#)

DIAMOND ONE											
GLASS		HEIGHT									
		12	15	18	21	24	27	30	36	39	42
WIDTH	9							X	X	X	X
	12			X		X		X	X	X	X
	15			X		X		X	X	X	X
	18			X		X		X	X	X	X
	21			X		X		X	X	X	X
	24 (BUTT)	X	X	X		X		X	X	X	X
	27 (BUTT)			X		X		X	X	X	X
	30 (BUTT)	X	X	X	X	X	X	X	X	X	X
	33 (BUTT)	X	X	X		X		X	X	X	X
	36 (BUTT)	X	X	X	X	X		X	X	X	X
	37 (BUTT)	X	X	X	X	X					
	39 (CS)	X	X	X	X	X		X	X		X
	42 (CS)							X	X	X	X
	DW							X	X	X	X

	Cabinet not available
X	Glass Available

MODS

GLASS

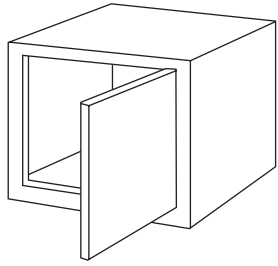
GLASS AVAILABILITY CHART

Mods Available on Wall Cabinets*

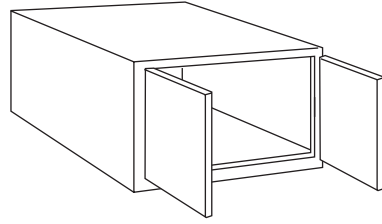
APC	CG	FPEB	ID	MD	MIP	P	RD	RECTK	FB
•	•	•	•	•	•	•	•		•

*See Exceptions Noted in SKU sections

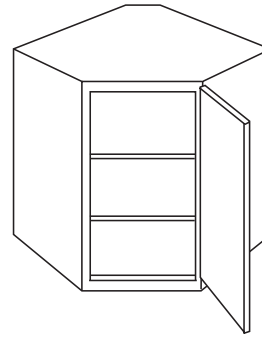
WALL CABINETS



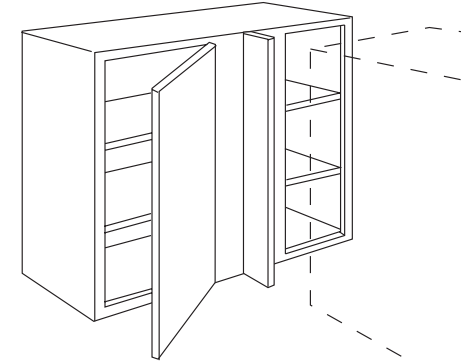
SINGLE DOOR*



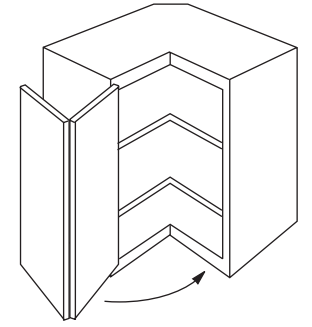
DOUBLE DOOR



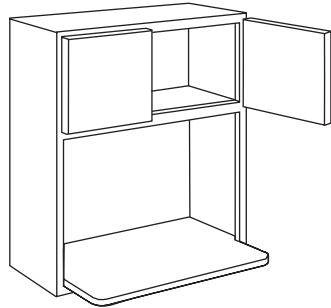
DIAGONAL CORNER*



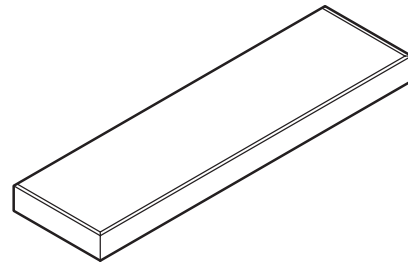
CORNER SINGLE DOOR*



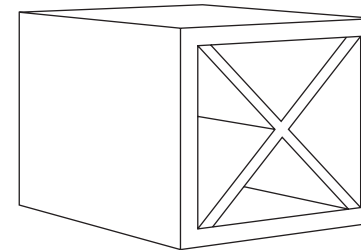
EASY REACH CORNER*



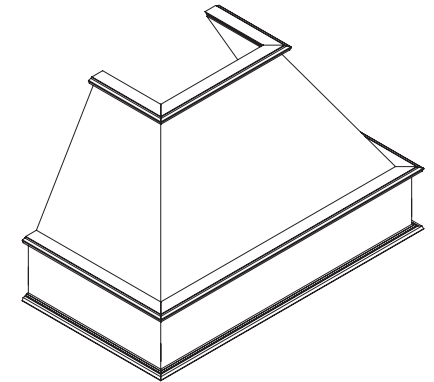
MICROWAVE



SHELVES



WINE STORAGE



WOOD HOOD AND BLOWERS

*Single door cabinets produced hinged right but may be flipped to be left hinged.

SINGLE DOOR

DOUBLE DOOR

DIAGONAL CORNER

CORNER SINGLE DOOR

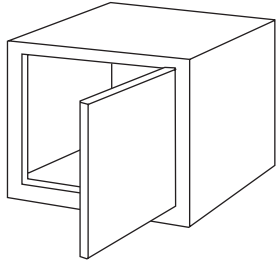
EASY REACH CORNER

MICROWAVE

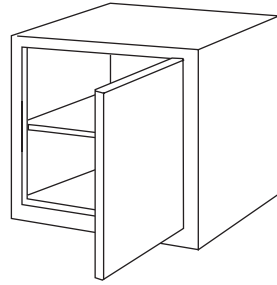
SHELVES

WINE STORAGE

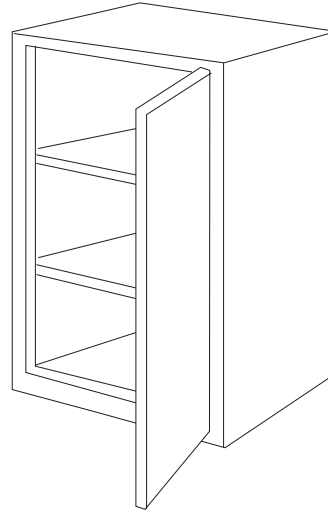
WOOD HOODS & BLOWERS



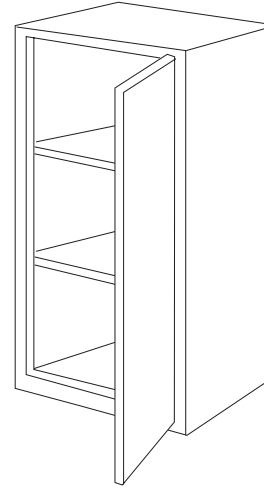
SINGLE DOOR
18" HIGH



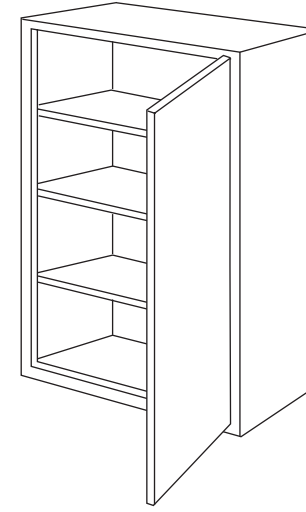
SINGLE DOOR
24" HIGH



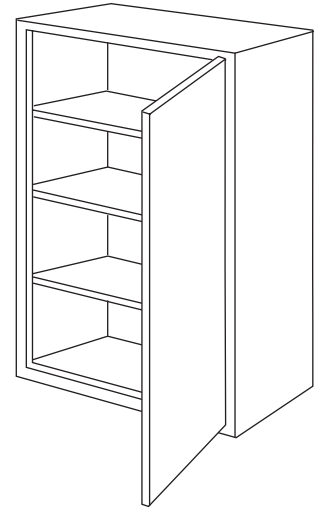
SINGLE DOOR
30" HIGH



SINGLE DOOR
36" HIGH



SINGLE DOOR
39" HIGH



SINGLE DOOR
42" HIGH

SINGLE DOOR
18" HIGH

SINGLE DOOR
24" HIGH

SINGLE DOOR
30" HIGH

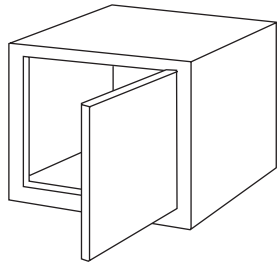
SINGLE DOOR
36" HIGH

SINGLE DOOR
39" HIGH

SINGLE DOOR
42" HIGH

SINGLE DOOR

18" HEIGHT
12" DEPTH
12", 15", 18", 21" WIDE

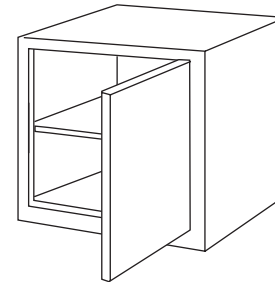


W1218R
W1518R
W1818R
W2118R

• MD modification is not available on W1218R.

SINGLE DOOR

24" HEIGHT
12" DEPTH
12", 15", 18", 21" WIDE



W1224R
W1524R
W1824R
W2124R

• MD modification is not available on W1224R.

SINGLE DOOR
18" HIGH

SINGLE DOOR
24" HIGH

SINGLE DOOR
30" HIGH

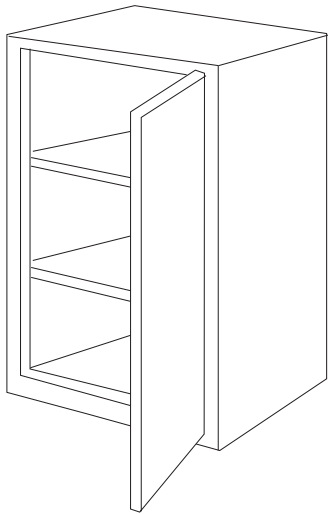
SINGLE DOOR
36" HIGH

SINGLE DOOR
39" HIGH

SINGLE DOOR
42" HIGH

SINGLE DOOR

30" HEIGHT
12" DEPTH
12", 15", 18", 21" WIDE

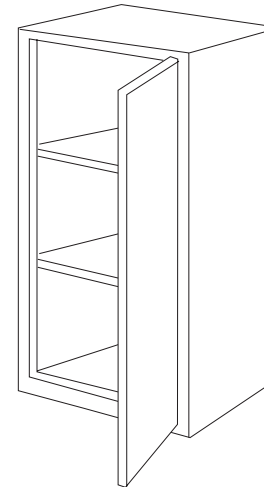


W930R
W1230R
W1530R
W1830R
W2130R

• MD modification is not available on W930R and W1230R.

SINGLE DOOR

36" HEIGHT
12" DEPTH
12", 15", 18", 21" WIDE



W936R
W1236R
W1536R
W1836R
W2136R

• MD modification is not available on W936R and W1236R.

SINGLE DOOR
18" HIGH

SINGLE DOOR
24" HIGH

SINGLE DOOR
30" HIGH

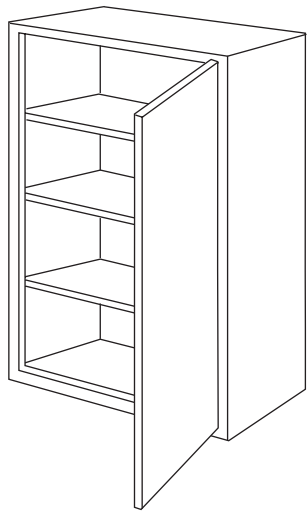
SINGLE DOOR
36" HIGH

SINGLE DOOR
39" HIGH

SINGLE DOOR
42" HIGH

SINGLE DOOR

39" HEIGHT
12" DEPTH
12", 15", 18", 21" WIDE

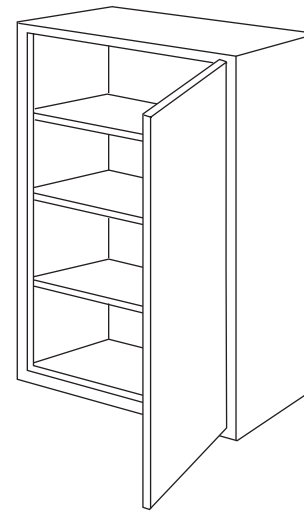


W939R
W1239R
W1539R
W1839R
W2139R

• MD modification is not available on W939R and W1239R.

SINGLE DOOR

42" HEIGHT
12" DEPTH
12", 15", 18", 21" WIDE



W942R
W1242R
W1542R
W1842R
W2142R

• MD modification is not available on W942R and W1242R.

SINGLE DOOR
18" HIGH

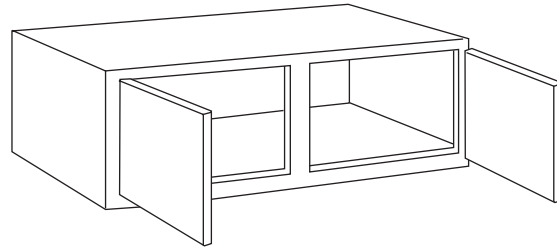
SINGLE DOOR
24" HIGH

SINGLE DOOR
30" HIGH

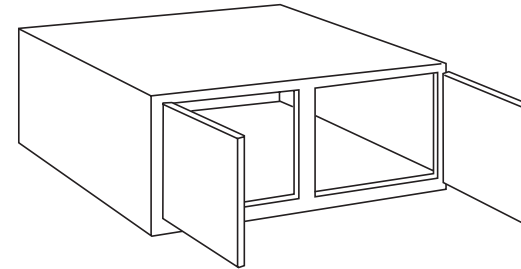
SINGLE DOOR
36" HIGH

SINGLE DOOR
39" HIGH

SINGLE DOOR
42" HIGH



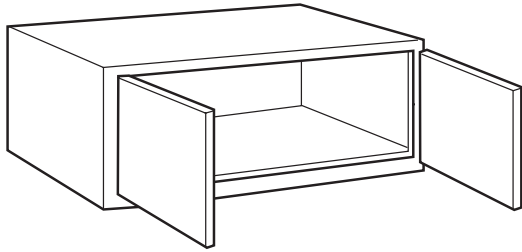
**DOUBLE DOOR
12" DEEP**



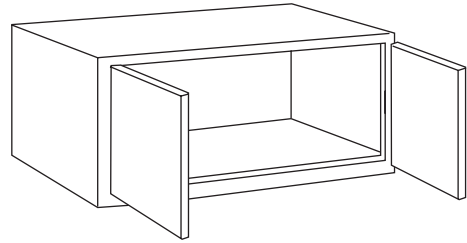
**DOUBLE DOOR
24" DEEP**

DOUBLE DOOR
12" DEEP

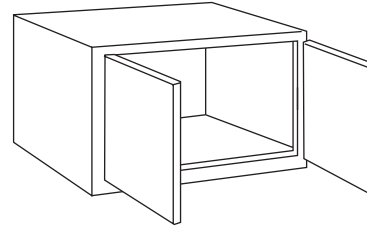
DOUBLE DOOR
24" DEEP



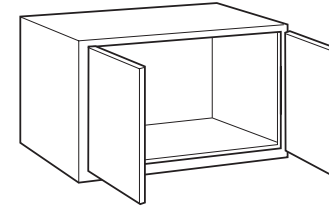
DOUBLE DOOR
12" HIGH X 12" DEEP



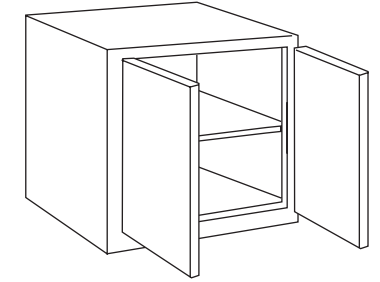
DOUBLE DOOR
15" HIGH X 12" DEEP



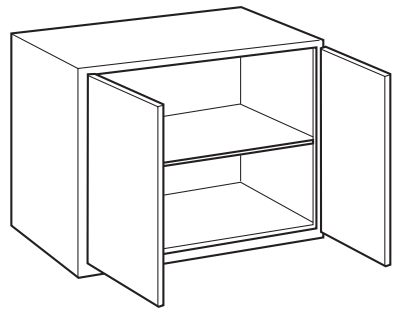
DOUBLE DOOR
18" HIGH X 12" DEEP



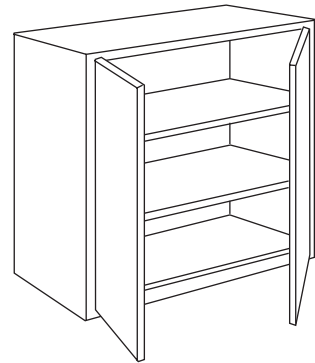
DOUBLE DOOR
21" HIGH X 12" DEEP



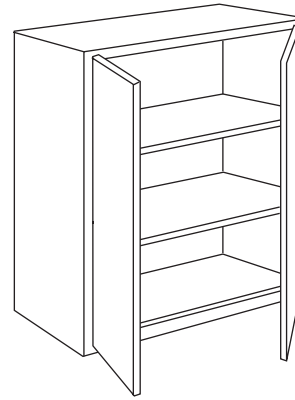
DOUBLE DOOR
24" HIGH X 12" DEEP



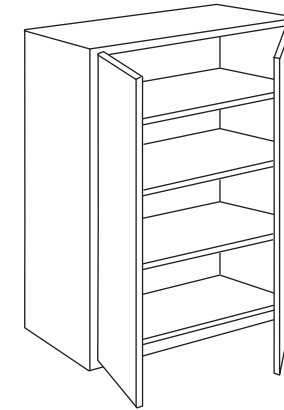
DOUBLE DOOR
27" HIGH X 12" DEEP



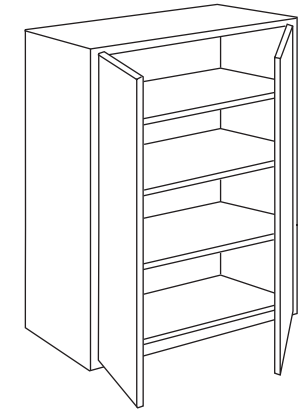
DOUBLE DOOR
30" HIGH X 12" DEEP



DOUBLE DOOR
36" HIGH X 12" DEEP



DOUBLE DOOR
39" HIGH X 12" DEEP



DOUBLE DOOR
42" HIGH X 12" DEEP

DOUBLE DOOR
12" HIGH

DOUBLE DOOR
15" HIGH

DOUBLE DOOR
18" HIGH

DOUBLE DOOR
21" HIGH

DOUBLE DOOR
24" HIGH

DOUBLE DOOR
27" HIGH

DOUBLE DOOR
30" HIGH

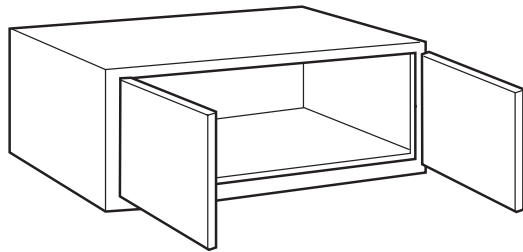
DOUBLE DOOR
36" HIGH

DOUBLE DOOR
39" HIGH

DOUBLE DOOR
42" HIGH

DOUBLE DOOR

12" HEIGHT
12" DEPTH
24", 30", 33", 36", 37" WIDE

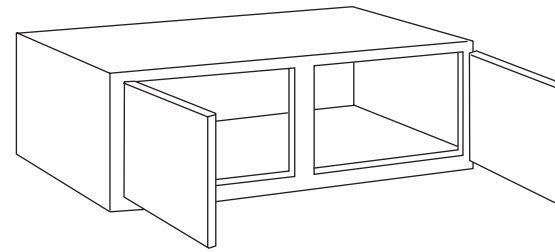


W2412
W3012
W3312
W3612
W3712

• MD modification is not available.

DOUBLE DOOR

12" HEIGHT
12" DEPTH
39" WIDE



W3912

• MD modification is not available.

DOUBLE DOOR
12" HIGH

DOUBLE DOOR
15" HIGH

DOUBLE DOOR
18" HIGH

DOUBLE DOOR
21" HIGH

DOUBLE DOOR
24" HIGH

DOUBLE DOOR
27" HIGH

DOUBLE DOOR
30" HIGH

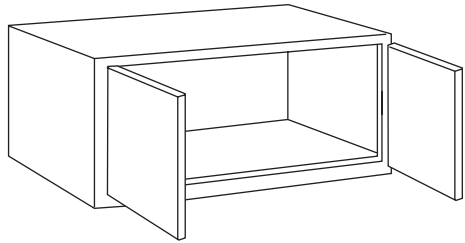
DOUBLE DOOR
36" HIGH

DOUBLE DOOR
39" HIGH

DOUBLE DOOR
42" HIGH

DOUBLE DOOR

15" HEIGHT
12" DEPTH
24", 30", 33", 36", 37" WIDE

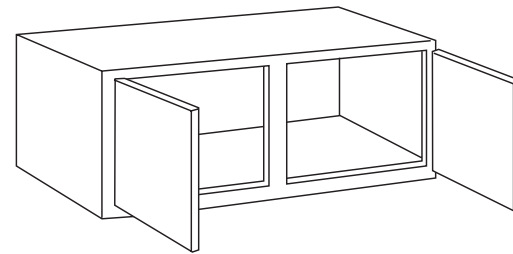


W2415
W3015
W3315
W3615
W3715

• MD modification is not available on W3715.

DOUBLE DOOR

15" HEIGHT
12" DEPTH
39" WIDE



W3915

• MD modification is not available.

DOUBLE DOOR
12" HIGH

DOUBLE DOOR
15" HIGH

DOUBLE DOOR
18" HIGH

DOUBLE DOOR
21" HIGH

DOUBLE DOOR
24" HIGH

DOUBLE DOOR
27" HIGH

DOUBLE DOOR
30" HIGH

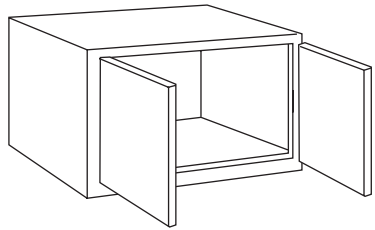
DOUBLE DOOR
36" HIGH

DOUBLE DOOR
39" HIGH

DOUBLE DOOR
42" HIGH

DOUBLE DOOR

18" HEIGHT
 12" DEPTH
 24", 27", 30", 33", 36", 37" WIDE

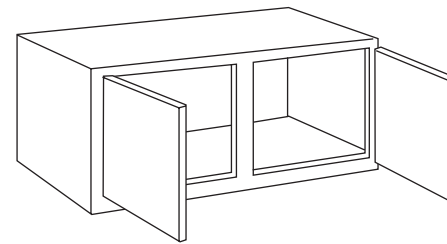


W2418
W2718
W3018
W3318
W3618
W3718

• MD modification is not available on W3718.

DOUBLE DOOR

18" HEIGHT
 12" DEPTH
 39" WIDE



W3918

• MD modification is not available.

DOUBLE DOOR
12" HIGH

DOUBLE DOOR
15" HIGH

DOUBLE DOOR
18" HIGH

DOUBLE DOOR
21" HIGH

DOUBLE DOOR
24" HIGH

DOUBLE DOOR
27" HIGH

DOUBLE DOOR
30" HIGH

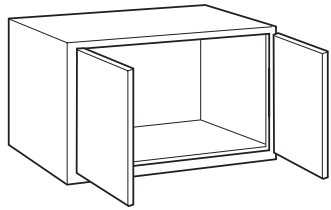
DOUBLE DOOR
36" HIGH

DOUBLE DOOR
39" HIGH

DOUBLE DOOR
42" HIGH

DOUBLE DOOR

21" HEIGHT
12" DEPTH
30", 36", 37" WIDE

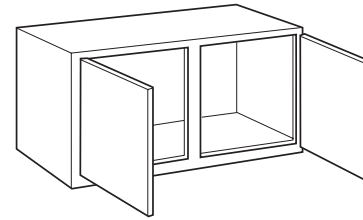


W3021
W3621
W3721

• MD modification is not available.

DOUBLE DOOR

21" HEIGHT
12" DEPTH
39" WIDE



W3921

• MD modification is not available.

DOUBLE DOOR
12" HIGH

DOUBLE DOOR
15" HIGH

DOUBLE DOOR
18" HIGH

DOUBLE DOOR
21" HIGH

DOUBLE DOOR
24" HIGH

DOUBLE DOOR
27" HIGH

DOUBLE DOOR
30" HIGH

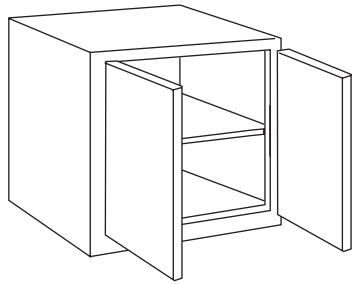
DOUBLE DOOR
36" HIGH

DOUBLE DOOR
39" HIGH

DOUBLE DOOR
42" HIGH

DOUBLE DOOR

24" HEIGHT
12" DEPTH
24", 27", 30", 33", 36", 37" WIDE

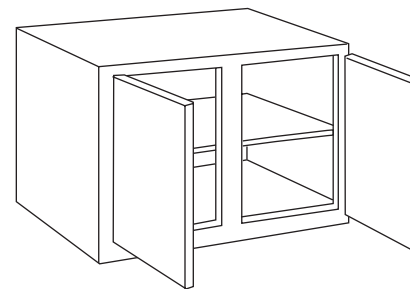


W2424
W2724
W3024
W3324
W3624
W3724

• MD modification is not available on W3724.

DOUBLE DOOR

24" HEIGHT
12" DEPTH
39" WIDE



W3924

• MD modification is not available.

DOUBLE DOOR
12" HIGH

DOUBLE DOOR
15" HIGH

DOUBLE DOOR
18" HIGH

DOUBLE DOOR
21" HIGH

DOUBLE DOOR
24" HIGH

DOUBLE DOOR
27" HIGH

DOUBLE DOOR
30" HIGH

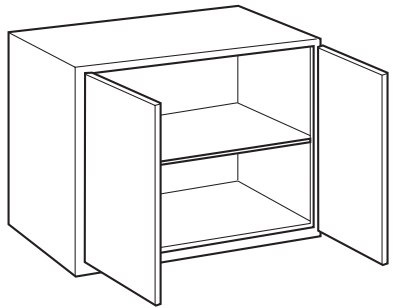
DOUBLE DOOR
36" HIGH

DOUBLE DOOR
39" HIGH

DOUBLE DOOR
42" HIGH

DOUBLE DOOR

27" HEIGHT
12" DEPTH
30" WIDE



W3027

• MD modification is not available.

DOUBLE DOOR
12" HIGH

DOUBLE DOOR
15" HIGH

DOUBLE DOOR
18" HIGH

DOUBLE DOOR
21" HIGH

DOUBLE DOOR
24" HIGH

**DOUBLE DOOR
27" HIGH**

DOUBLE DOOR
30" HIGH

DOUBLE DOOR
36" HIGH

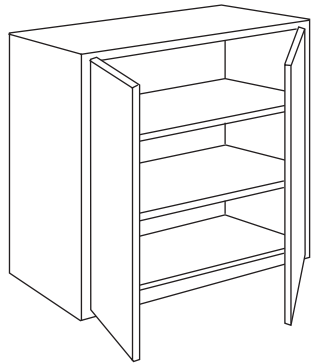
DOUBLE DOOR
39" HIGH

DOUBLE DOOR
42" HIGH

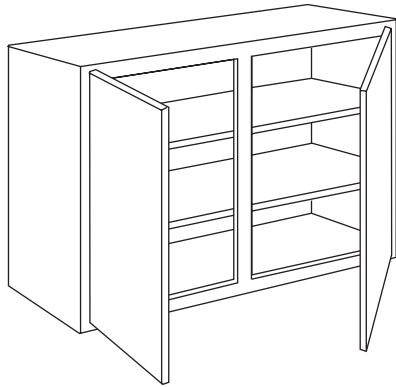
DOUBLE DOOR

30" HEIGHT
12" DEPTH

24", 27", 30", 33", 36", 39", 42" WIDE



W2430-W3630



W3930-W4230

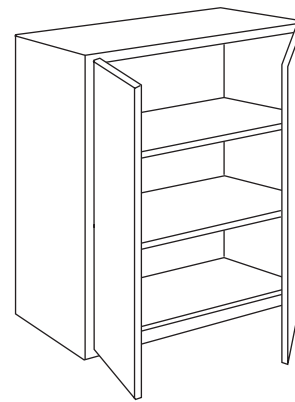
W2430
W2730
W3030
W3330
W3630
W3930
W4230

• MD modification is not available on W3930.

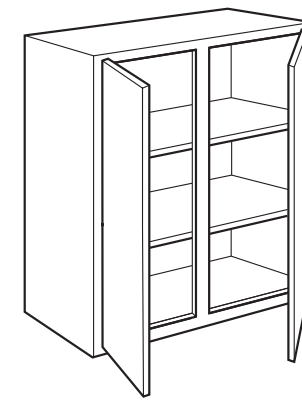
DOUBLE DOOR

36" HEIGHT
12" DEPTH

24", 27", 30", 33", 36", 39", 42" WIDE



W2436-W3636



W3936-W4236

W2436
W2736
W3036
W3336
W3636
W3936
W4236

• MD modification is not available on W3936.

DOUBLE DOOR
12" HIGH

DOUBLE DOOR
15" HIGH

DOUBLE DOOR
18" HIGH

DOUBLE DOOR
21" HIGH

DOUBLE DOOR
24" HIGH

DOUBLE DOOR
27" HIGH

**DOUBLE DOOR
30" HIGH**

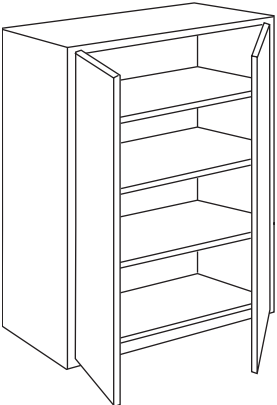
**DOUBLE DOOR
36" HIGH**

DOUBLE DOOR
39" HIGH

DOUBLE DOOR
42" HIGH

DOUBLE DOOR

39" HEIGHT
 12" DEPTH
 24", 27", 30", 33", 36", 42" WIDE



W2439-W3639

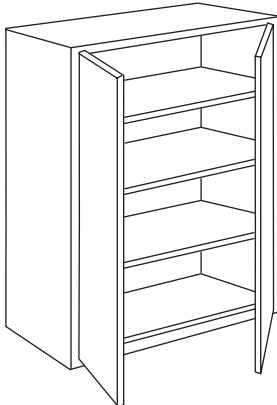


W4239

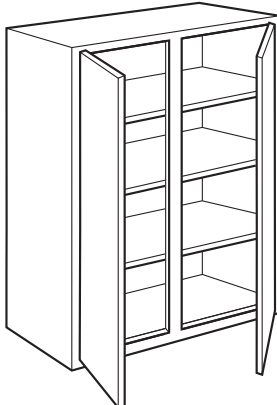
W2439
 W2739
 W3039
 W3339
 W3639
 W4239

DOUBLE DOOR

42" HEIGHT
 12" DEPTH
 24", 27", 30", 33", 36", 39", 42" WIDE



W2442-W3642

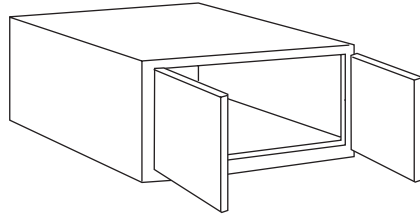


W3942-W4242

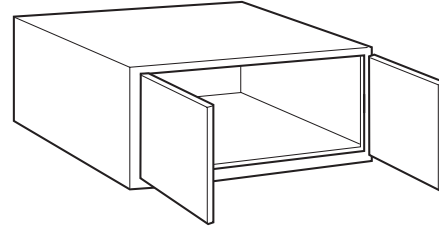
W2442
 W2742
 W3042
 W3342
 W3642
 W3942
 W4242

• MD modification is not available on W3942.

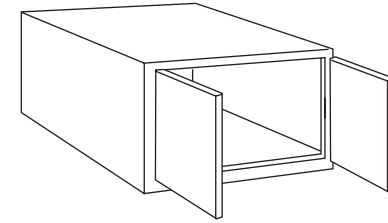
DOUBLE DOOR 12" HIGH	DOUBLE DOOR 15" HIGH	DOUBLE DOOR 18" HIGH	DOUBLE DOOR 21" HIGH	DOUBLE DOOR 24" HIGH	DOUBLE DOOR 27" HIGH	DOUBLE DOOR 30" HIGH	DOUBLE DOOR 36" HIGH	DOUBLE DOOR 39" HIGH	DOUBLE DOOR 42" HIGH
-------------------------	-------------------------	-------------------------	-------------------------	-------------------------	-------------------------	-------------------------	-------------------------	-------------------------	-------------------------



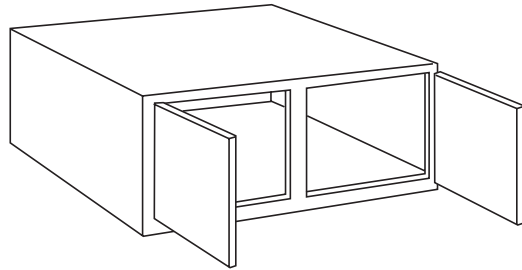
DOUBLE DOOR
12" HIGH X 24" DEEP



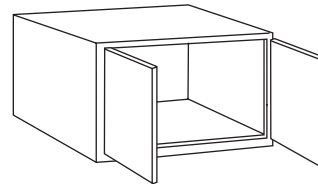
DOUBLE DOOR
15" HIGH X 24" DEEP



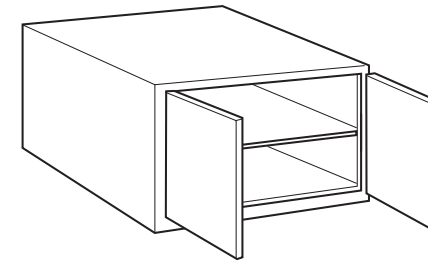
DOUBLE DOOR
18" HIGH X 24" DEEP



DOUBLE DOOR
18" HIGH X 24" DEEP



DOUBLE DOOR
21" HIGH X 24" DEEP



DOUBLE DOOR
24" HIGH X 24" DEEP

DOUBLE DOOR
12" HIGH

DOUBLE DOOR
15" HIGH

DOUBLE DOOR
18" HIGH

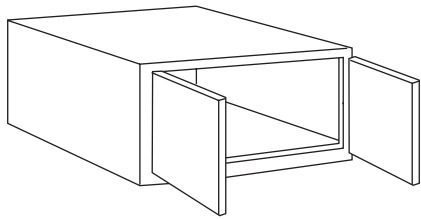
DOUBLE DOOR
18" HIGH

DOUBLE DOOR
21" HIGH

DOUBLE DOOR
24" HIGH

DOUBLE DOOR

12" HEIGHT
24" DEPTH
36" WIDE

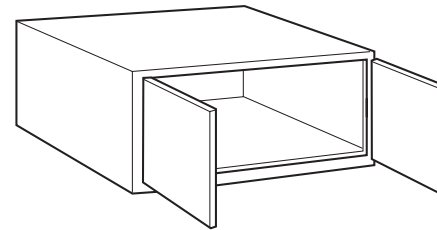


W361224

- 24" deep cabinets must be fully supported by screws installed in a structural member in the ceiling or soffit, and into adjacent cabinets or tall panels.
- Load limit is 15 lbs. per square foot of load bearing surface.
- ID, MD, P modifications are not available.

DOUBLE DOOR

15" HEIGHT
24" DEPTH
39" WIDE



W361524

- 24" deep cabinets must be fully supported by screws installed in a structural member in the ceiling or soffit, and into adjacent cabinets or tall panels.
- Load limit is 15 lbs. per square foot of load bearing surface.
- ID, P modifications are not available.

DOUBLE DOOR
12" HIGH

DOUBLE DOOR
15" HIGH

DOUBLE DOOR
18" HIGH

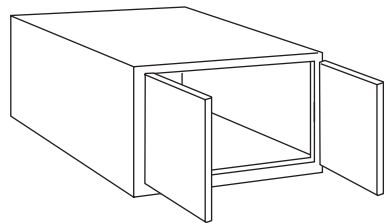
DOUBLE DOOR
18" HIGH

DOUBLE DOOR
21" HIGH

DOUBLE DOOR
24" HIGH

DOUBLE DOOR

18" HEIGHT
24" DEPTH
36" WIDE

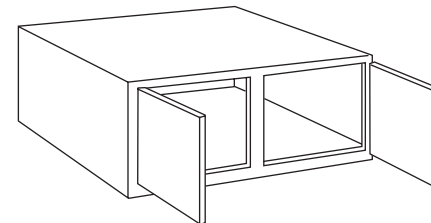


W361824

- 24" deep cabinets must be fully supported by screws installed in a structural member in the ceiling or soffit, and into adjacent cabinets or tall panels.
- Load limit is 15 lbs. per square foot of load bearing surface.
- ID, P modifications are not available.

DOUBLE DOOR

18" HEIGHT
24" DEPTH
39" WIDE



W391824

- 24" deep cabinets must be fully supported by screws installed in a structural member in the ceiling or soffit, and into adjacent cabinets or tall panels.
- Load limit is 15 lbs. per square foot of load bearing surface.
- ID, MD, P modifications are not available.

DOUBLE DOOR
12" HIGH

DOUBLE DOOR
15" HIGH

**DOUBLE DOOR
18" HIGH**

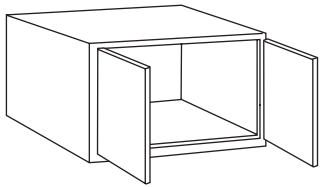
**DOUBLE DOOR
18" HIGH**

DOUBLE DOOR
21" HIGH

DOUBLE DOOR
24" HIGH

DOUBLE DOOR

21" HEIGHT
24" DEPTH
36" WIDE

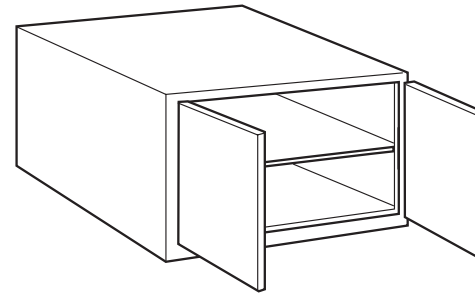


W362124

- 24" deep cabinets must be fully supported by screws installed in a structural member in the ceiling or soffit, and into adjacent cabinets or tall panels.
- Load limit is 15 lbs. per square foot of load bearing surface.
- ID, MD, P modifications are not available.

DOUBLE DOOR

24" HEIGHT
24" DEPTH
36" WIDE



W362424

- 24" deep cabinets must be fully supported by screws installed in a structural member in the ceiling or soffit, and into adjacent cabinets or tall panels.
- Load limit is 15 lbs. per square foot of load bearing surface.
- ID, P modifications are not available.

DOUBLE DOOR
12" HIGH

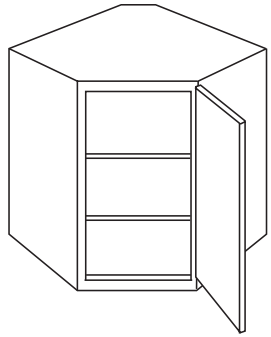
DOUBLE DOOR
15" HIGH

DOUBLE DOOR
18" HIGH

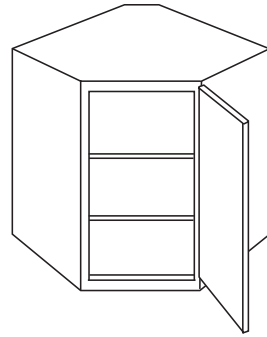
DOUBLE DOOR
18" HIGH

**DOUBLE DOOR
21" HIGH**

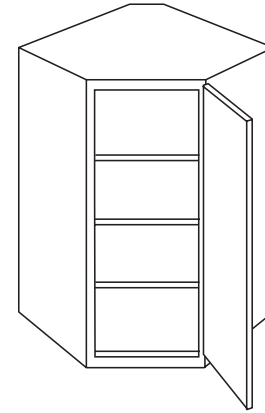
**DOUBLE DOOR
24" HIGH**



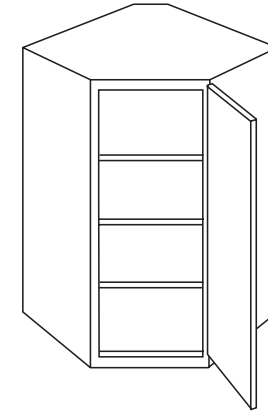
DIAGONAL CORNER 30" HIGH



DIAGONAL CORNER 36" HIGH



DIAGONAL CORNER 39" HIGH



DIAGONAL CORNER 42" HIGH

DIAGONAL CORNER
30" HIGH

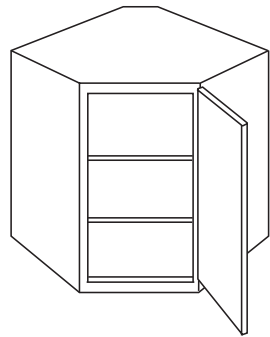
DIAGONAL CORNER
36" HIGH

DIAGONAL CORNER
39" HIGH

DIAGONAL CORNER
42" HIGH

DIAGONAL WALL

30" HEIGHT
24" DEPTH
24" WIDE

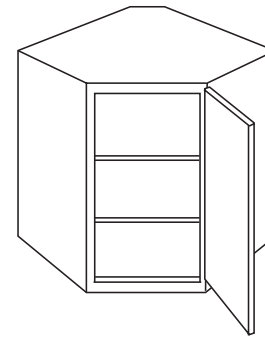


DW302424R

- Cabinets require 24" x 24" of corner wall space.
- Full overlay styles use the same width doors as partial overlay styles (14 1/2" wide) with a partial overlay hinge (38NPOHINGE) to allow for proper door clearance with adjacent cabinets.
- ID, P, RD modifications are not available

DIAGONAL WALL

36" HEIGHT
24" DEPTH
24" WIDE



DW362424R

- Cabinets require 24" x 24" of corner wall space.
- Full overlay styles use the same width doors as partial overlay styles (14 1/2" wide) with a partial overlay hinge (38NPOHINGE) to allow for proper door clearance with adjacent cabinets.
- ID, P, RD modifications are not available

DIAGONAL CORNER
30" HIGH

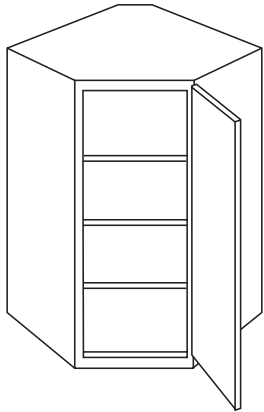
DIAGONAL CORNER
36" HIGH

DIAGONAL CORNER
39" HIGH

DIAGONAL CORNER
42" HIGH

DIAGONAL WALL

39" HEIGHT
24" DEPTH
24" WIDE

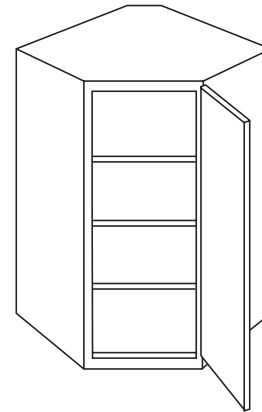


DW392424R

- Cabinets require 24" x 24" of corner wall space.
- Full overlay styles use the same width doors as partial overlay styles (14 1/2" wide) with a partial overlay hinge (38NPOHINGE) to allow for proper door clearance with adjacent cabinets.
- ID, P, RD modifications are not available

DIAGONAL WALL

42" HEIGHT
24" DEPTH
24" WIDE



DW422424R

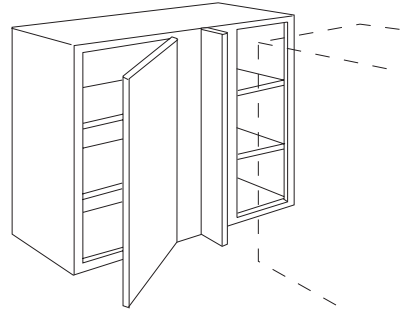
- Cabinets require 24" x 24" of corner wall space.
- Full overlay styles use the same width doors as partial overlay styles (14 1/2" wide) with a partial overlay hinge (38NPOHINGE) to allow for proper door clearance with adjacent cabinets.
- ID, P, RD modifications are not available

DIAGONAL CORNER
30" HIGH

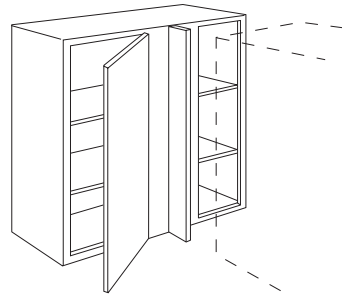
DIAGONAL CORNER
36" HIGH

DIAGONAL CORNER
39" HIGH

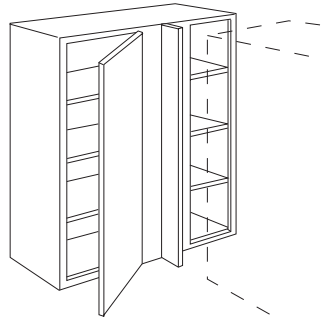
DIAGONAL CORNER
42" HIGH



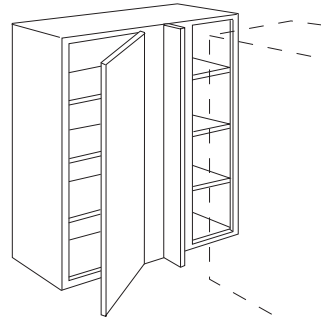
**BLIND CORNER SINGLE DOOR
30" HIGH**



**BLIND CORNER SINGLE DOOR
36" HIGH**



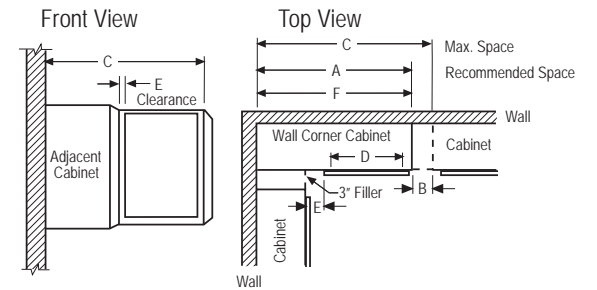
**BLIND CORNER SINGLE DOOR
39" HIGH**



**BLIND CORNER SINGLE DOOR
42" HIGH**

Wall Corner Cabinets

- Wall corner cabinets may be installed flush to the wall (left) or pulled 3" away from wall (right) to accommodate odd dimensions in a kitchen design. In either case, the adjoining run of 12" wall cabinets plus a 3" filler will butt against the solid-wood panel.
- When a cabinet is "pulled" it will use proportionally more wall space, for example, a 30" wide WC pulled 2" will use 32" of space.
- Blind side of wall cabinets cannot be installed next to a range hood or microwave shelf unit due to door interference.



NOTE: All outside stiles are 1 1/2" wide.

Model	A Recommended Space	B Max. Pull*	C Max. Space	D Face Frame Opening	E*		E		F Actual Cabinet
					Full Overlay At Min.	At Max.	Partial Overlay At Min.	At Max.	
WC30	30"	5"	35"	13 1/2"	1 3/4"	6 3/4"	2 1/2"	7 1/2"	30"
WC36	36"	5"	41"	19 1/2"	1 3/4"	6 3/4"	2 1/2"	7 1/2"	36"

*Minimum/maximum space between inside edge of door and face of filler/adjoining cabinet.
If cabinet is pulled to maximum stated dimension, filler will need to be created for proper attachment.

BLIND CORNER SINGLE
DOOR 30" HIGH

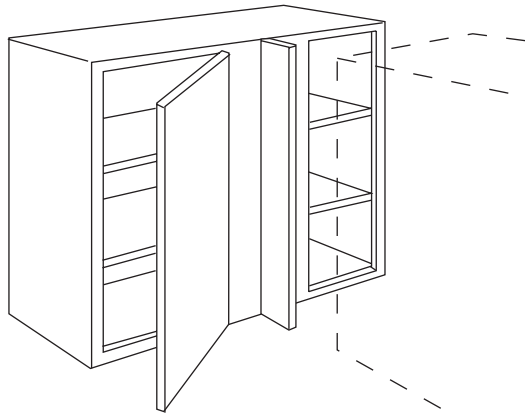
BLIND CORNER SINGLE
DOOR 36" HIGH

BLIND CORNER SINGLE
DOOR 39" HIGH

BLIND CORNER SINGLE
DOOR 42" HIGH

CORNER SINGLE DOOR

30" HEIGHT
12" DEPTH
30", 36" WIDE

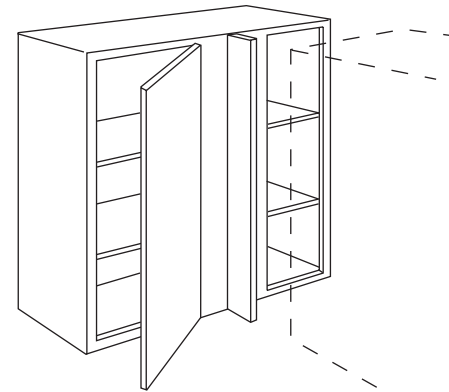


WC3030R
WC3630R

- Includes one 3" filler, shipped unattached.
- CG, MD, P modifications are not available.

CORNER SINGLE DOOR

36" HEIGHT
12" DEPTH
30", 36" WIDE



WC3036R
WC3636R

- Includes one 3" filler, shipped unattached.
- CG, MD, P modifications are not available.

**BLIND CORNER SINGLE
DOOR 30" HIGH**

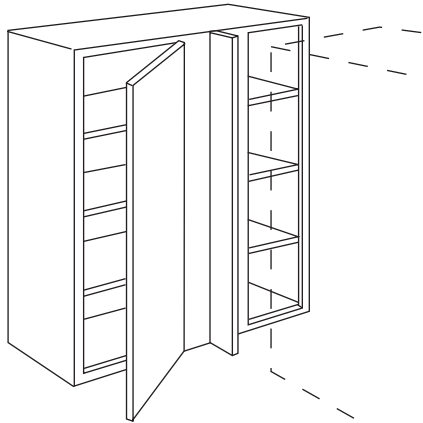
**BLIND CORNER SINGLE
DOOR 36" HIGH**

BLIND CORNER SINGLE
DOOR 39" HIGH

BLIND CORNER SINGLE
DOOR 42" HIGH

CORNER SINGLE DOOR

39" HEIGHT
12" DEPTH
30", 36" WIDE

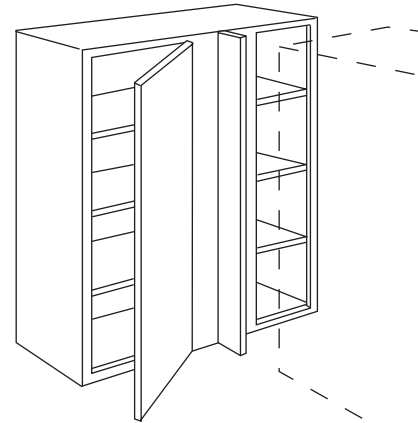


WC3039R
WC3639R

- Includes one 3" filler, shipped unattached.
- CG, MD, P modifications are not available.

CORNER SINGLE DOOR

42" HEIGHT
12" DEPTH
30", 36" WIDE



WC3042R
WC3642R

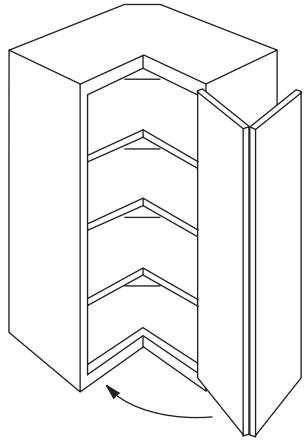
- Includes one 3" filler, shipped unattached.
- CG, MD, P modifications are not available.

BLIND CORNER SINGLE
DOOR 30" HIGH

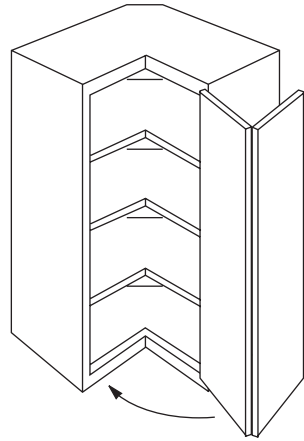
BLIND CORNER SINGLE
DOOR 36" HIGH

BLIND CORNER SINGLE
DOOR 39" HIGH

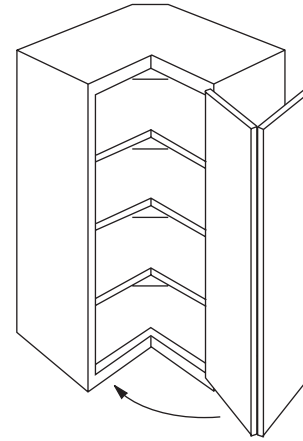
BLIND CORNER SINGLE
DOOR 42" HIGH



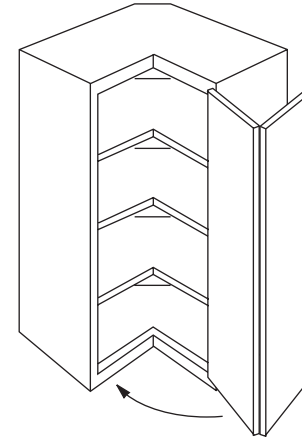
EASY REACH CORNER 30" HIGH



EASY REACH CORNER 36" HIGH



EASY REACH CORNER 39" HIGH



EASY REACH CORNER 42" HIGH

EASY REACH CORNER
30" HIGH

EASY REACH CORNER
36" HIGH

EASY REACH CORNER
39" HIGH

EASY REACH CORNER
42" HIGH

Why
Diamond One

How to
Order

Doors

Finishes

Construction

Mods &
Glass

Wall

Base

Tall

Vanity

Universal
Access

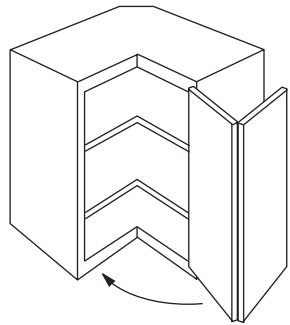
Moulding

Accessories

Service &
Policies

EASY REACH WALL CORNER

30" HEIGHT
24" DEPTH
24" WIDE

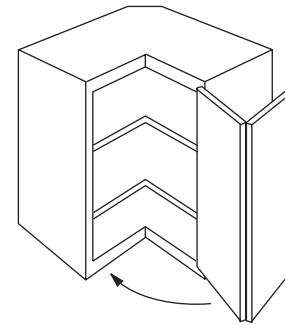


ER30R

- Hinged door opens 170°.
- Requires 24" x 24" of corner wall space.
- Decorative hardware screws must be countersunk to prevent scratching of adjacent cabinets and face frame of ER.
- Integrated soft-close hinge not included.
- CG, ID, MD, P, RD modifications are not available

EASY REACH WALL CORNER

36" HEIGHT
24" DEPTH
24" WIDE



ER36R

- Hinged door opens 170°.
- Requires 24" x 24" of corner wall space.
- Decorative hardware screws must be countersunk to prevent scratching of adjacent cabinets and face frame of ER.
- Integrated soft-close hinge not included.
- CG, ID, MD, P, RD modifications are not available

EASY REACH CORNER
30" HIGH

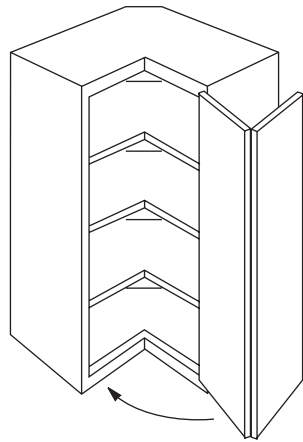
EASY REACH CORNER
36" HIGH

EASY REACH CORNER
39" HIGH

EASY REACH CORNER
42" HIGH

EASY REACH WALL CORNER

39" HEIGHT
24" DEPTH
24" WIDE

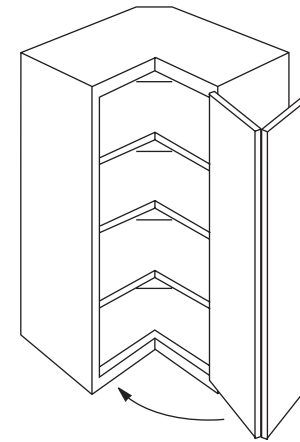


ER39R

- Hinged door opens 170°.
- Requires 24" x 24" of corner wall space.
- Decorative hardware screws must be countersunk to prevent scratching of adjacent cabinets and face frame of ER.
- Integrated soft-close hinge not included.
- CG, ID, MD, P, RD modifications are not available

EASY REACH WALL CORNER

42" HEIGHT
24" DEPTH
24" WIDE



ER42R

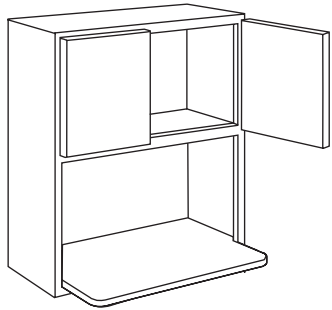
- Hinged door opens 170°.
- Requires 24" x 24" of corner wall space.
- Decorative hardware screws must be countersunk to prevent scratching of adjacent cabinets and face frame of ER.
- Integrated soft-close hinge not included.
- CG, ID, MD, P, RD modifications are not available

EASY REACH CORNER
30" HIGH

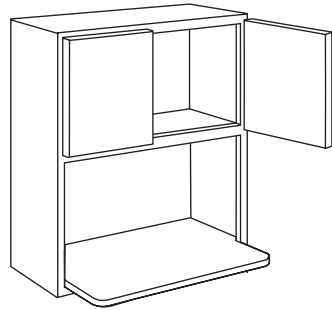
EASY REACH CORNER
36" HIGH

EASY REACH CORNER
39" HIGH

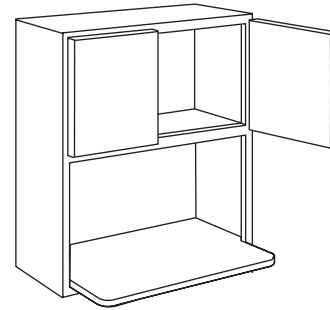
EASY REACH CORNER
42" HIGH



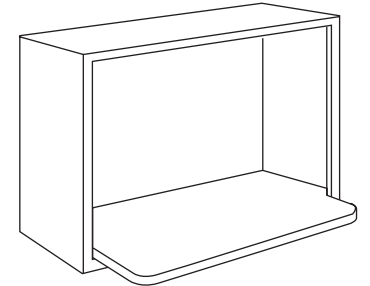
MICROWAVE DOUBLE DOOR 36" HIGH



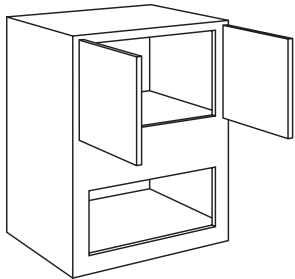
MICROWAVE DOUBLE DOOR 39" HIGH



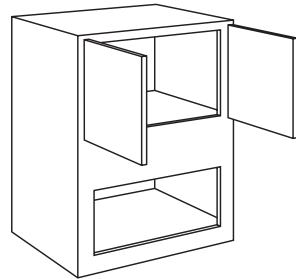
MICROWAVE DOUBLE DOOR 42" HIGH



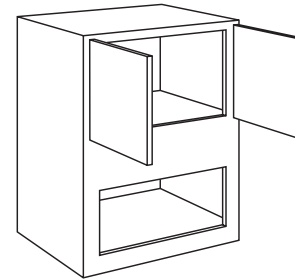
MICROWAVE NO DOOR 18" HIGH



BUILT-IN MICROWAVE 36" HIGH



BUILT-IN MICROWAVE 39" HIGH



BUILT-IN MICROWAVE 42" HIGH

MICROWAVE DOUBLE DOOR 36" HIGH

MICROWAVE DOUBLE DOOR 39" HIGH

MICROWAVE DOUBLE DOOR 42" HIGH

MICROWAVE NO DOOR 18" HIGH

BUILT-IN MICROWAVE 36" HIGH

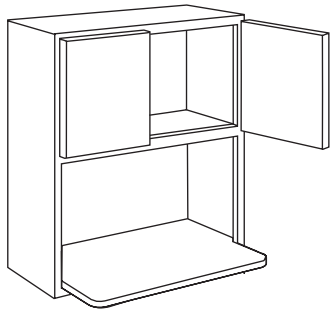
BUILT-IN MICROWAVE 39" HIGH

BUILT-IN MICROWAVE 42" HIGH

	Opening		Cabinet	
	Width	Height	Width	Height
WMW2436	21"	15 3/4"	24"	36"
WMW2736	24"	15 3/4"	27"	36"
WMW3036	27"	15 3/4"	30"	36"

WALL MICROWAVE DOUBLE DOOR CABINET

36" HEIGHT
12" DEPTH
24", 27", 30" WIDE



WMW2436
WMW2736
WMW3036

- Includes one 3/4" shelf with six mounting screws. Shelf is veneer on furniture board core. Microwave shelf extends beyond the front of the cabinet by 6 1/2", for a total shelf depth of 18 1/2".
- Microwave cabinet must be attached to wall stud and adjacent cabinets on both sides to support.
- When ID is ordered, shelf will not be included with cabinet.
- Matching Interior Plywood (MIP) standard.
- When placed at a different height than adjacent cabinets, FPEB modification is recommended.
- APC, FB, MD, P, RD modifications are not available

MICROWAVE DOUBLE DOOR 36" HIGH

MICROWAVE DOUBLE DOOR 39" HIGH

MICROWAVE DOUBLE DOOR 42" HIGH

MICROWAVE NO DOOR 18" HIGH

BUILT-IN MICROWAVE 36" HIGH

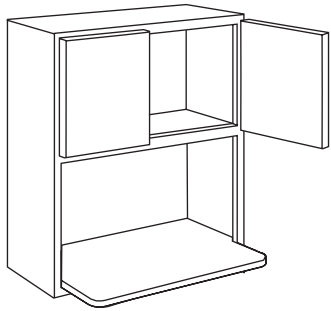
BUILT-IN MICROWAVE 39" HIGH

BUILT-IN MICROWAVE 42" HIGH

	Opening		Cabinet	
	Width	Height	Width	Height
WMW2439	21"	15 3/4"	24"	39"
WMW2739	24"	15 3/4"	27"	39"
WMW3039	27"	15 3/4"	30"	39"

WALL MICROWAVE DOUBLE DOOR CABINET

39" HEIGHT
12" DEPTH
24", 27", 30" WIDE



WMW2439
WMW2739
WMW3039

- Includes one 3/4" shelf with six mounting screws. Shelf is veneer on furniture board core. Microwave shelf extends beyond the front of the cabinet by 6 1/2", for a total shelf depth of 18 1/2".
- Microwave cabinet must be attached to wall stud and adjacent cabinets on both sides to support.
- When ID is ordered, shelf will not be included with cabinet.
- Matching Interior Plywood (MIP) standard.
- When placed at a different height than adjacent cabinets, FPEB modification is recommended.
- APC, FB, MD, P, RD modifications are not available

MICROWAVE DOUBLE DOOR 36" HIGH

MICROWAVE DOUBLE DOOR 39" HIGH

MICROWAVE DOUBLE DOOR 42" HIGH

MICROWAVE NO DOOR 18" HIGH

BUILT-IN MICROWAVE 36" HIGH

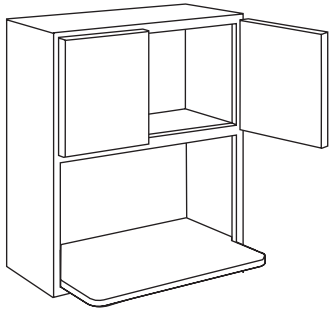
BUILT-IN MICROWAVE 39" HIGH

BUILT-IN MICROWAVE 42" HIGH

	Opening		Cabinet	
	Width	Height	Width	Height
WMW2442	21"	15 3/4"	24"	42"
WMW2742	24"	15 3/4"	27"	42"
WMW3042	27"	15 3/4"	30"	42"

WALL MICROWAVE DOUBLE DOOR CABINET

42" HEIGHT
12" DEPTH
27", 30" WIDE



WMW2442
WMW2742
WMW3042

- Includes one 3/4" shelf with six mounting screws. Shelf is veneer on furniture board core. Microwave shelf extends beyond the front of the cabinet by 6 1/2", for a total shelf depth of 18 1/2".
- One adjustable shelf in the upper section included.
- Microwave cabinet must be attached to wall stud and adjacent cabinets on both sides to support.
- When ID is ordered, shelf will not be included with cabinet.
- Matching Interior Plywood (MIP) standard.
- When placed at a different height than adjacent cabinets, FPEB modification is recommended.
- APC, FB, MD, P, RD modifications are not available

MICROWAVE DOUBLE DOOR 36" HIGH

MICROWAVE DOUBLE DOOR 39" HIGH

MICROWAVE DOUBLE DOOR 42" HIGH

MICROWAVE NO DOOR 18" HIGH

BUILT-IN MICROWAVE 36" HIGH

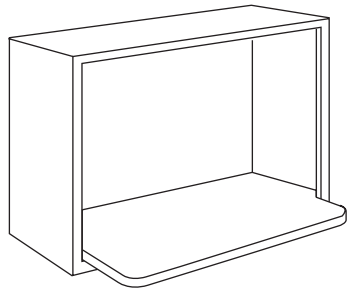
BUILT-IN MICROWAVE 39" HIGH

BUILT-IN MICROWAVE 42" HIGH

	Opening		Cabinet	
	Width	Height	Width	Height
MW2718	24"	14 1/4"	27"	18"
MW3018	27"	14 1/4"	30"	18"

WALL MICROWAVE CABINET

18" HEIGHT
12" DEPTH
27", 30" WIDE



MW2718
MW3018

- Includes one 3/4" shelf with six mounting screws. Shelf is veneer plywood. Microwave shelf extends beyond the front of the cabinet by 6 1/2", for a total shelf depth of 18 1/2".
- Microwave cabinet must be attached to wall stud and adjacent cabinets on both sides for support.
- When ID is ordered, shelf will not be included with cabinet.
- Matching Interior Plywood (MIP) standard.
- When placed at a different height than adjacent cabinets, FPEB modification is recommended.
- APC, CG, FB, MD, P, RD modifications are not available

MICROWAVE DOUBLE
DOOR 36" HIGH

MICROWAVE DOUBLE
DOOR 39" HIGH

MICROWAVE DOUBLE
DOOR 42" HIGH

**MICROWAVE NO
DOOR 18" HIGH**

BUILT-IN MICROWAVE
36" HIGH

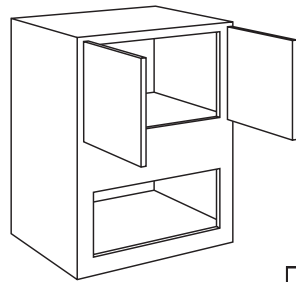
BUILT-IN MICROWAVE
39" HIGH

BUILT-IN MICROWAVE
42" HIGH

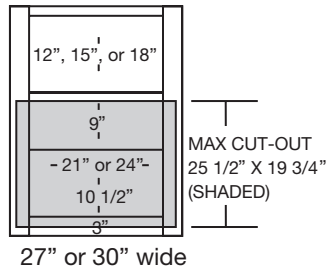
Model	Factory Opening	Maximum Cut-out
2736	21W x 10 1/2H	25 1/2W x 19 3/4H
3036	24W x 10 1/2H	28 1/2W x 19 3/4H

WALL BUILT-IN MICROWAVE CABINET

36" HEIGHT
21" DEPTH
27" WIDE

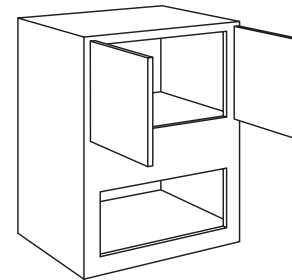


WBMW273621



WALL BUILT-IN MICROWAVE CABINET

36" HEIGHT
21" DEPTH
30" WIDE



WBMW303621

- Uses face mount hinges, doors and drawer fronts have a consistent width reveal for full overlay (1/4") and partial overlay (1").
- Microwave cabinet must be attached to wall stud and adjacent cabinets on both sides for support.
- When placed at a different height than adjacent cabinet, skins or FPEB option should be applied to taller cabinets in the run for correct reveal on each side.
- RD is available to 15".
- CG, MD, P modifications are not available.

MICROWAVE DOUBLE
DOOR 36" HIGH

MICROWAVE DOUBLE
DOOR 39" HIGH

MICROWAVE DOUBLE
DOOR 42" HIGH

MICROWAVE NO
DOOR 18" HIGH

**BUILT-IN MICROWAVE
36" HIGH**

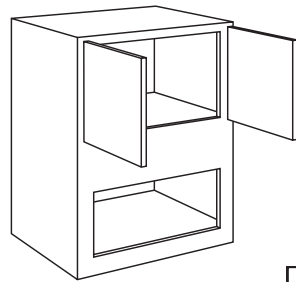
BUILT-IN MICROWAVE
39" HIGH

BUILT-IN MICROWAVE
42" HIGH

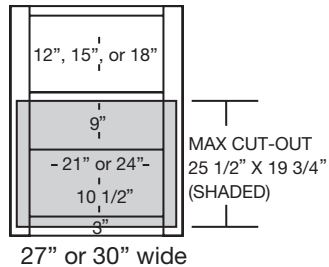
Model	Factory Opening	Maximum Cut-out
2739	21W x 10 1/2H	25 1/2W x 19 3/4H
3039	24W x 10 1/2H	28 1/2W x 19 3/4H

WALL BUILT-IN MICROWAVE CABINET

39" HEIGHT
21" DEPTH
27" WIDE

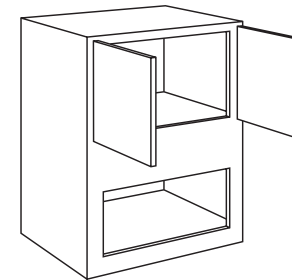


WBMW273921



WALL BUILT-IN MICROWAVE CABINET

39" HEIGHT
21" DEPTH
30" WIDE



WBMW303921

- Uses face mount hinges, doors and drawer fronts have a consistent width reveal for full overlay (1/4") and partial overlay (1").
- Microwave cabinet must be attached to wall stud and adjacent cabinets on both sides for support.
- When placed at a different height than adjacent cabinet, skins or FPEB option should be applied to taller cabinets in the run for correct reveal on each side.
- RD is available to 15".
- CG, MD, P modifications are not available.

MICROWAVE DOUBLE
DOOR 36" HIGH

MICROWAVE DOUBLE
DOOR 39" HIGH

MICROWAVE DOUBLE
DOOR 42" HIGH

MICROWAVE NO
DOOR 18" HIGH

BUILT-IN MICROWAVE
36" HIGH

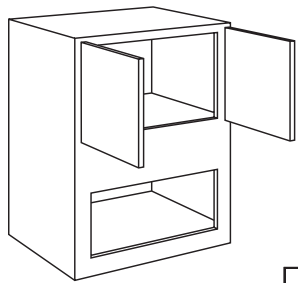
**BUILT-IN MICROWAVE
39" HIGH**

BUILT-IN MICROWAVE
42" HIGH

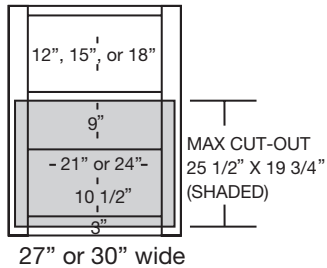
Model	Factory Opening	Maximum Cut-out
2742	21W x 10 1/2H	25 1/2W x 19 3/4H
3042	24W x 10 1/2H	28 1/2W x 19 3/4H

WALL BUILT-IN MICROWAVE CABINET

42" HEIGHT
21" DEPTH
27" WIDE



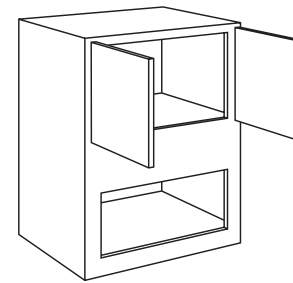
WBMW274221



- Uses face mount hinges, doors and drawer fronts have a consistent width reveal for full overlay (1/4") and partial overlay (1").
- Microwave cabinet must be attached to wall stud and adjacent cabinets on both sides for support.
- When placed at a different height than adjacent cabinet, skins or FPEB option should be applied to taller cabinets in the run for correct reveal on each side.
- RD is available to 15".
- CG, MD, P modifications are not available.

WALL BUILT-IN MICROWAVE CABINET

42" HEIGHT
21" DEPTH
30" WIDE



WBMW304221

MICROWAVE DOUBLE
DOOR 36" HIGH

MICROWAVE DOUBLE
DOOR 39" HIGH

MICROWAVE DOUBLE
DOOR 42" HIGH

MICROWAVE NO
DOOR 18" HIGH

BUILT-IN MICROWAVE
36" HIGH

BUILT-IN MICROWAVE
39" HIGH

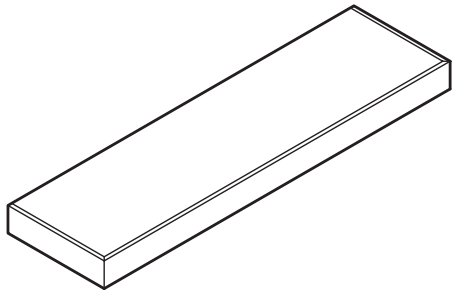
**BUILT-IN MICROWAVE
42" HIGH**

FLOATING SHELVES

2 ½" HEIGHT

10" DEPTH

24", 30", 36", 42", or 48" WIDE

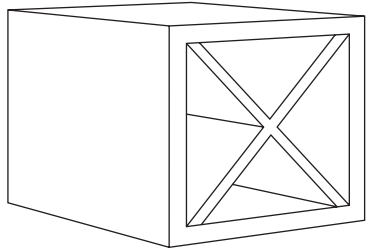


FS24
FS30
FS36
FS42
FS48

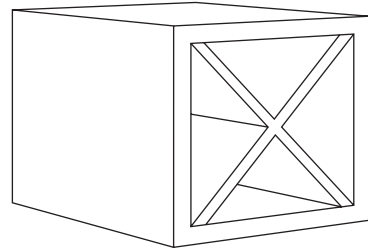
- 3/4" thick solid-wood front, back and ends. 3/8" thick veneered Medium Density Fiberboard (MDF) top and bottom. When a Paint finish is specified, veneer may not be applied. Front and ends are mitered together.
- Not trimmable.
- Includes wood mounting plate with metal brackets. Once installed, mounting system is fully concealed.
- Painted will be used for TrueColor™.
- Modifications are not available.

Maximum Weight Capacity per Shelf	
FS24	25 lbs.
FS30	31 lbs.
FS36	37 lbs.
FS42	43 lbs.
FS48	50 lbs.

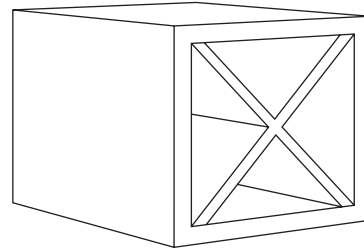
SHELVES



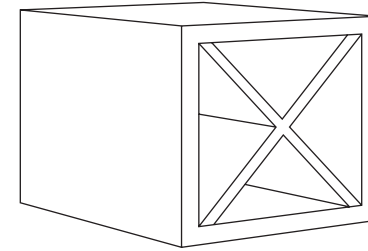
WINE STORAGE 12" HIGH



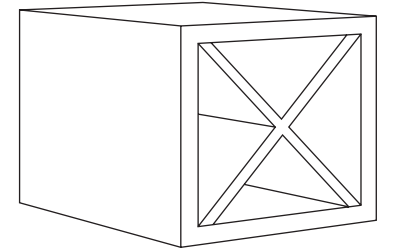
WINE STORAGE 15" HIGH



WINE STORAGE 18" HIGH



WINE STORAGE 21" HIGH



WINE STORAGE 24" HIGH

WINE STORAGE
12" HIGH

WINE STORAGE
15" HIGH

WINE STORAGE
18" HIGH

WINE STORAGE
21" HIGH

WINE STORAGE
24" HIGH

Why
Diamond One

How to
Order

Doors

Finishes

Construction

Mods &
Glass

Wall

Base

Tall

Vanity

Universal
Access

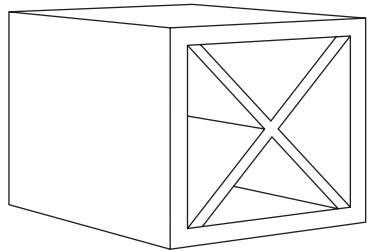
Moulding

Accessories

Service &
Policies

WINE STORAGE CABINET

12" HEIGHT
12" DEPTH
12" WIDE



WSC121212

- Must be installed between two cabinets, between a cabinet and a wall, or mounted to a horizontal surface.
- "X" shelf configuration cannot be removed.
- Reduced depth not recommended for safe wine bottle storage.
- Matching Interior Plywood (MIP) standard.
- APC, CG, FB, ID MD, P modifications are not available.

WINE STORAGE
12" HIGH

WINE STORAGE
15" HIGH

WINE STORAGE
18" HIGH

WINE STORAGE
21" HIGH

WINE STORAGE
24" HIGH

Why
Diamond One

How to
Order

Doors

Finishes

Construction

Mods &
Glass

Wall

Base

Tall

Vanity

Universal
Access

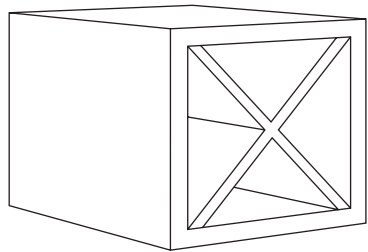
Moulding

Accessories

Service &
Policies

WINE STORAGE CABINET

15" HEIGHT
12" DEPTH
15" WIDE



WSC151512

- Must be installed between two cabinets, between a cabinet and a wall, or mounted to a horizontal surface.
- “X” shelf configuration cannot be removed.
- Reduced depth not recommended for safe wine bottle storage.
- Matching Interior Plywood (MIP) standard.
- APC, CG, FB, ID MD, P modifications are not available.

WINE STORAGE
12" HIGH

WINE STORAGE
15" HIGH

WINE STORAGE
18" HIGH

WINE STORAGE
21" HIGH

WINE STORAGE
24" HIGH

Why
Diamond One

How to
Order

Doors

Finishes

Construction

Mods &
Glass

Wall

Base

Tall

Vanity

Universal
Access

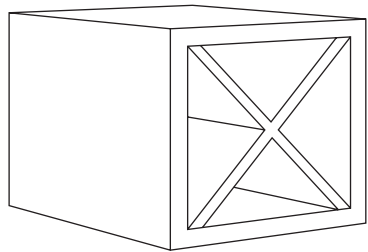
Moulding

Accessories

Service &
Policies

WINE STORAGE CABINET

18" HEIGHT
12" DEPTH
18" WIDE



WSC181812

- Must be installed between two cabinets, between a cabinet and a wall, or mounted to a horizontal surface.
- “X” shelf configuration cannot be removed.
- Reduced depth not recommended for safe wine bottle storage.
- Matching Interior Plywood (MIP) standard.
- APC, CG, FB, ID MD, P modifications are not available.

WINE STORAGE
12" HIGH

WINE STORAGE
15" HIGH

WINE STORAGE
18" HIGH

WINE STORAGE
21" HIGH

WINE STORAGE
24" HIGH

Why
Diamond One

How to
Order

Doors

Finishes

Construction

Mods &
Glass

Wall

Base

Tall

Vanity

Universal
Access

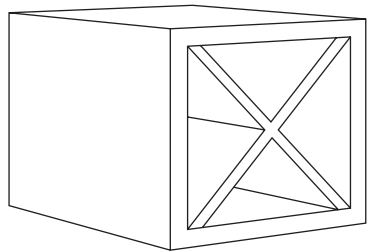
Moulding

Accessories

Service &
Policies

WINE STORAGE CABINET

21" HEIGHT
12" DEPTH
21" WIDE



WSC212112

- Must be installed between two cabinets, between a cabinet and a wall, or mounted to a horizontal surface.
- “X” shelf configuration cannot be removed.
- Reduced depth not recommended for safe wine bottle storage.
- Matching Interior Plywood (MIP) standard.
- APC, CG, FB, ID MD, P modifications are not available.

WINE STORAGE
12" HIGH

WINE STORAGE
15" HIGH

WINE STORAGE
18" HIGH

WINE STORAGE
21" HIGH

WINE STORAGE
24" HIGH

Why
Diamond One

How to
Order

Doors

Finishes

Construction

Mods &
Glass

Wall

Base

Tall

Vanity

Universal
Access

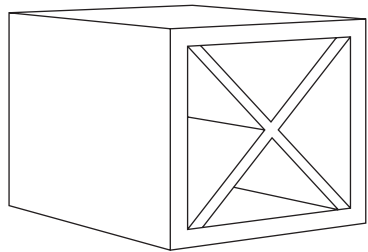
Moulding

Accessories

Service &
Policies

WINE STORAGE CABINET

24" HEIGHT
12" DEPTH
24" WIDE



WSC242412

- Must be installed between two cabinets, between a cabinet and a wall, or mounted to a horizontal surface.
- “X” shelf configuration cannot be removed.
- Reduced depth not recommended for safe wine bottle storage.
- Matching Interior Plywood (MIP) standard.
- APC, CG, FB, ID MD, P modifications are not available.

WINE STORAGE
12" HIGH

WINE STORAGE
15" HIGH

WINE STORAGE
18" HIGH

WINE STORAGE
21" HIGH

WINE STORAGE
24" HIGH

Why
Diamond One

How to
Order

Doors

Finishes

Construction

Mods &
Glass

Wall

Base

Tall

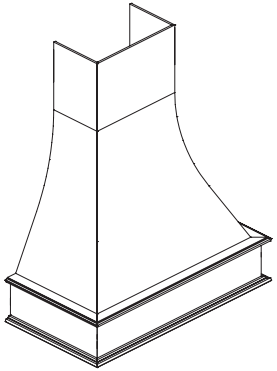
Vanity

Universal
Access

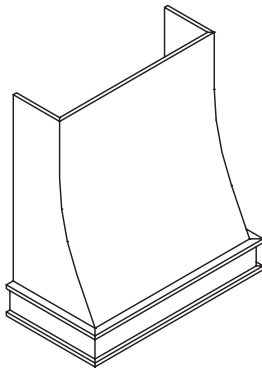
Moulding

Accessories

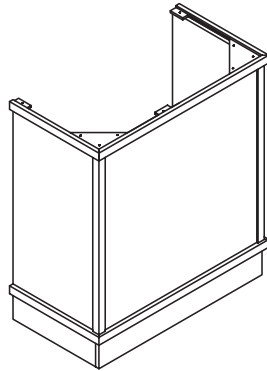
Service &
Policies



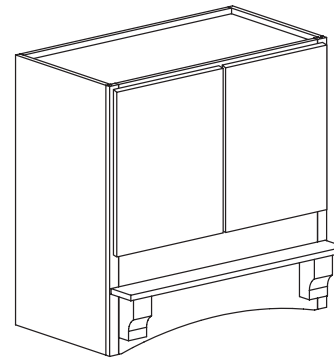
ARTISAN



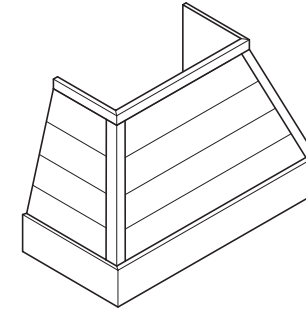
WATERFALL



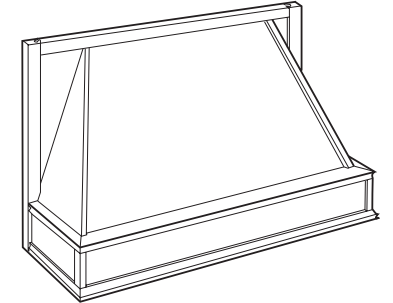
CRAFTSMAN



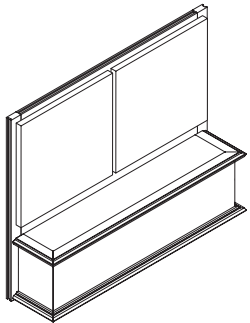
SIGNATURE MANTEL



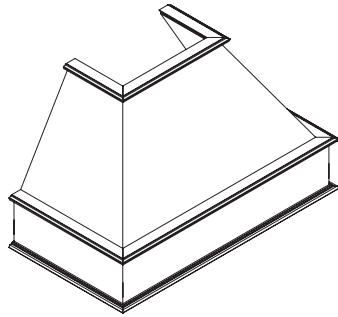
SHIPLAP



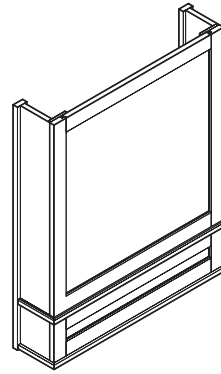
TAPERED HOOD



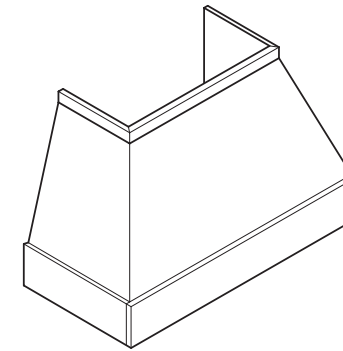
CANOPY HOOD



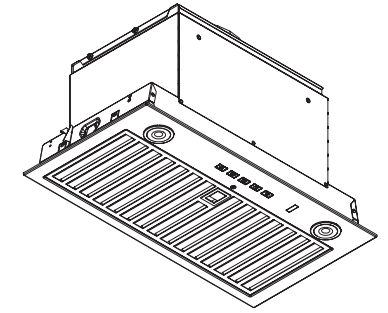
CLASSIC



BATTEN HOOD



SIMPLE



BLOWER

ARTISAN

WATERFALL

CRAFTSMAN

SIGNATURE
MANTEL

SHIPLAP

TAPERED
HOOD

CANOPY
HOOD

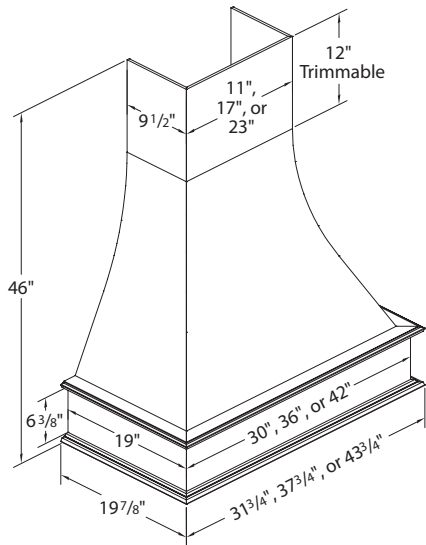
CLASSIC

BATTEN
HOOD

SIMPLE

BLOWER

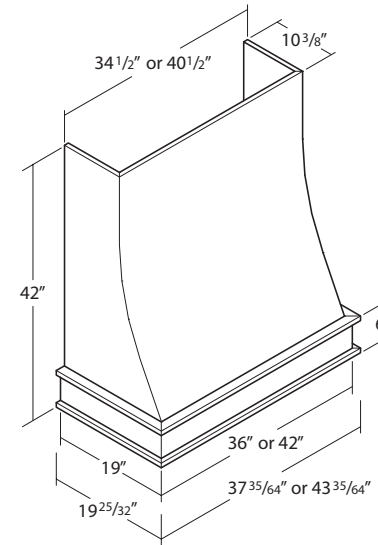
ARTISAN STRAIGHT WOOD HOOD *New*



WHAS30 WHAS36 WHAS42

- Freestanding unit (must be properly secured to wall and cannot be attached to adjacent cabinets).
- Exhaust system not included. Compatible with all Diamond One blowers.
- Chimney height is trimmable up to 34".
- Check local building code and appliance installation specifications for clearance requirements and installation heights above the range.
- Silver metallic liner included. Assembly required.
- Installation instructions and hardware included.
- Liner opening size: 10 1/4" deep by 19 1/2" wide.
- Painted will be used for TrueColor™.
- No changes or cancellations will be accepted after 24 hours from acknowledgment of order.
- Modifications are not available.

WATERFALL WOOD HOOD *New*

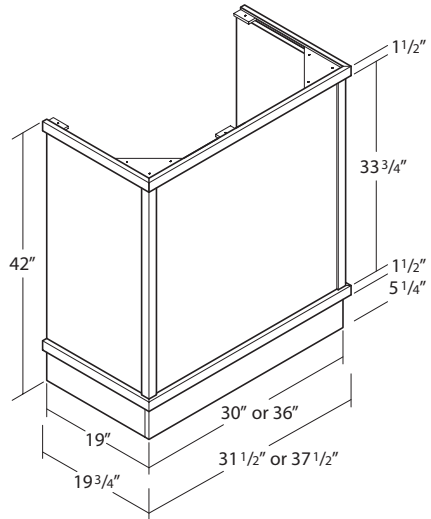


WHWF36 WHWF42

- Freestanding unit (must be properly secured to wall and cannot be attached to adjacent cabinets).
- Exhaust system not included. Compatible with all Diamond One blowers.
- Chimney height is trimmable up to 34".
- Check local building code and appliance installation specifications for clearance requirements and installation heights above the range.
- Silver metallic liner included. Assembly required.
- Installation instructions and hardware included.
- Liner opening size: 10 1/4" deep by 19 1/2" wide.
- Painted will be used for TrueColor™.
- No changes or cancellations will be accepted after 24 hours from acknowledgment of order.
- Modifications are not available.

ARTISAN WATERFALL CRAFTSMAN SIGNATURE MANTEL SHIPLAP TAPERED HOOD CANOPY HOOD CLASSIC BATTEN HOOD SIMPLE BLOWER

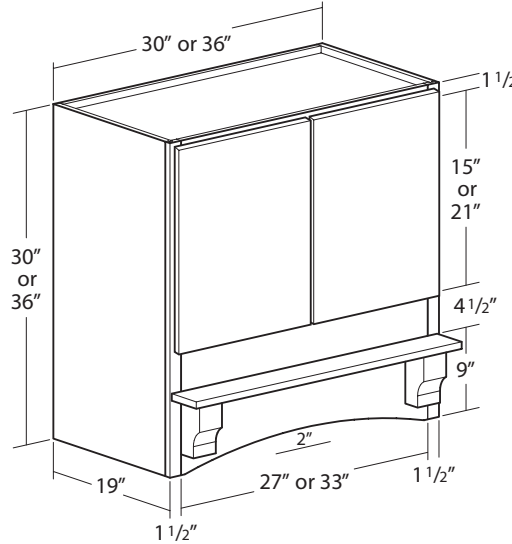
CRAFTSMAN STRAIGHT WOOD HOOD *New*



WHCFS30
WHCFS36

- Freestanding unit (must be properly secured to wall and cannot be attached to adjacent cabinets).
- Exhaust system not included. Compatible with all Diamond One blowers.
- Check local building code and appliance installation specifications for clearance requirements and installation heights above the range.
- Silver metallic liner included. Assembly required.
- Installation instructions and hardware included.
- Liner opening size: 10 1/4" deep by 19 1/2" wide.
- Painted will be used for TrueColor™.
- No changes or cancellations will be accepted after 24 hours from acknowledgment of order.
- Modifications are not available.

SIGNATURE MANTEL WOOD HOOD *New*



WHSGM3030
WHSGM3036
WHSGM3630
WHSGM3636

- Exhaust system not included. Compatible with all Diamond One blowers.
- Operable doors matching the style ordered with be installed on hood.
- Check local building code and appliance installation specifications for clearance requirements and installation heights above the range.
- Silver metallic liner included. Assembly required.
- Installation instructions and hardware included.
- Liner opening size: 10 1/4" deep by 19 1/2" wide.
- Painted will be used for TrueColor™.
- No changes or cancellations will be accepted after 24 hours from acknowledgment of order.
- Modifications are not available.

ARTISAN

WATERFALL

CRAFTSMAN

**SIGNATURE
MANTEL**

SHIPLAP

TAPERED
HOOD

CANOPY
HOOD

CLASSIC

BATTEN
HOOD

SIMPLE

BLOWER

Why
Diamond One

How to
Order

Doors

Finishes

Construction

Mods &
Glass

Wall

Base

Tall

Vanity

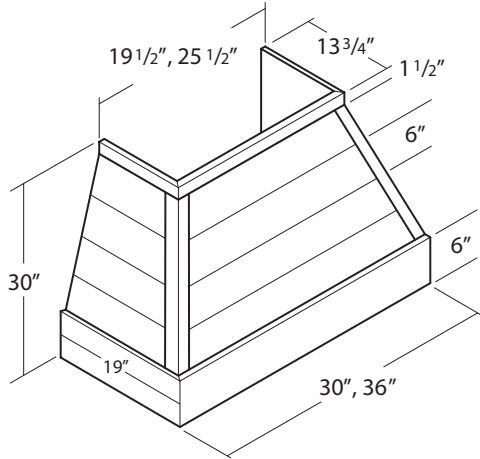
Universal
Access

Moulding

Accessories

Service &
Policies

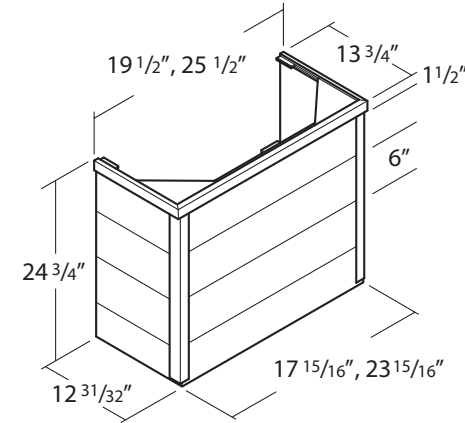
SHIPLAP TAPERED WOOD HOOD



JWHSIPT30
JWHSIPT36

- Freestanding unit (must be properly secured to wall and cannot be attached to adjacent cabinets).
- Constructed of 3/4" thick grooved plywood creating a shiplap appearance.
- Exhaust system not included. Compatible with all Diamond One blowers.
- Compatible with Shiplap Chimney (JWHSHIPCH_ _), which can be trimmed. See page 58.
- Check local building code and appliance installation specifications for clearance requirements and installation heights above the range.
- Silver metallic liner included. Assembly required.
- Installation instructions and hardware included.
- Liner opening size: 10 1/4" deep by 19 1/2" wide.
- Painted will be used for TrueColor™.
- No changes or cancellations will be accepted after 24 hours from acknowledgment of order.
- Modifications are not available.

SHIPLAP WOOD HOOD CHIMNEY



30" – JWHSHIPCH30
36" – JWHSHIPCH36

- Constructed of 3/4" thick grooved plywood creating a shiplap appearance.
- Trimmable. If trimmed, moulding is recommended to conceal any cut marks.
- Optional accessory for Wood Hood Shiplap Tapered (JWHSIPT_ _) for an installed height of 54".
- Painted will be used for TrueColor™.
- No changes or cancellations will be accepted after 24 hours from acknowledgment of order.
- Modifications are not available.

ARTISAN

WATERFALL

CRAFTSMAN

SIGNATURE
MANTEL

SHIPLAP

TAPERED
HOOD

CANOPY
HOOD

CLASSIC

BATTEN
HOOD

SIMPLE

BLOWER

Why
Diamond One

How to
Order

Doors

Finishes

Construction

Mods &
Glass

Wall

Base

Tall

Vanity

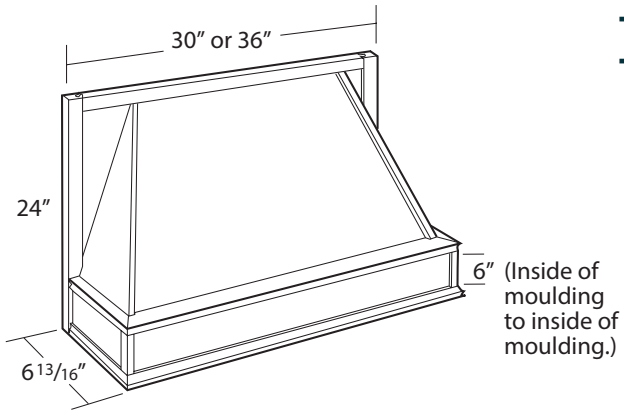
Universal
Access

Moulding

Accessories

Service &
Policies

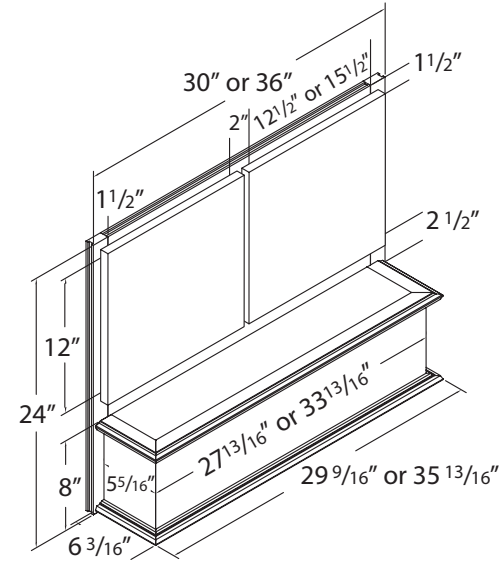
TAPERED WOOD HOOD



TWH30 TWH36FW

- Install Wood Hood between adjacent cabinets.
- Exhaust system not included. Compatible with all Diamond One blowers.
- Check local building code and appliance installation specifications for clearance requirements and installation heights above the range.
- Tapered design.
- Liner opening size: 10 1/4" deep x 19 1/2" wide.
- Silver metallic liner included, not available for order separately.
- Painted will be used for TrueColor™.
- No changes or cancellations will be accepted after 24 hours from acknowledgment of order.
- Modifications are not available.

CANOPY SQUARE WOOD HOOD



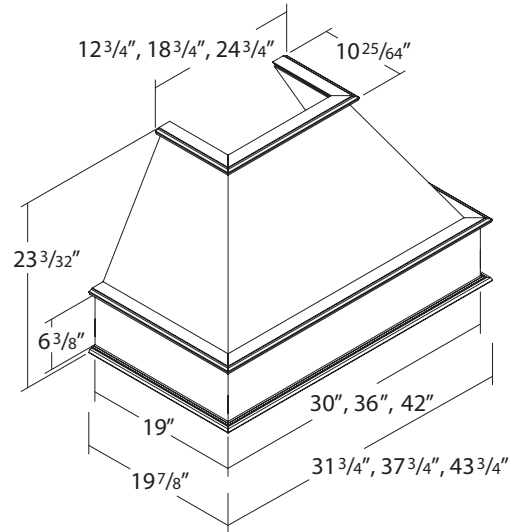
30" – WHCS30 36" – WHCS36

- Install Wood Hoods between adjacent cabinets.
- Exhaust system not included. Compatible with all Diamond One blowers.
- Check local building code and appliance installation specifications for clearance requirements and installation heights above the range.
- Interior bottom section is finished below liner.
- Square silver metallic liner included. Assembly required.
- Installation instructions and hardware included.
- Liner opening size: 10 1/4" deep by 19 1/2" wide.
- Painted will be used for TrueColor™.
- No changes or cancellations will be accepted after 24 hours from acknowledgment of order.
- Modifications are not available.

ARTISAN WATERFALL CRAFTSMAN SIGNATURE MANTEL SHIPLAP **TAPERED HOOD** **CANOPY HOOD** CLASSIC BATTEN HOOD SIMPLE BLOWER

Why Diamond One How to Order Doors Finishes Construction Mods & Glass Wall Base Tall Vanity Universal Access Moulding Accessories Service & Policies

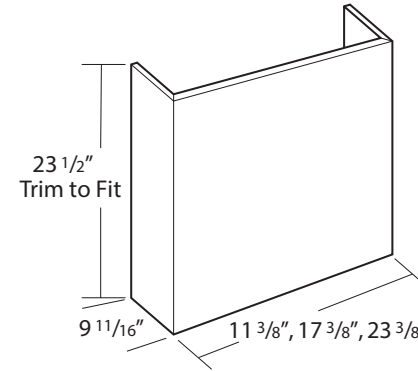
CLASSIC SQUARE WOOD HOOD



30" – **WHS30**
 36" – **WHS36**
 42" – **WHS42**

- Freestanding unit (must be properly secured to wall and cannot be attached to adjacent cabinets).
- Exhaust system not included. Compatible with all Diamond One blowers.
- Chimney available (WHC..). See below.
- Check local building code and appliance installation specifications for clearance requirements and installation heights above the range.
- Silver metallic liner included. Assembly required.
- Installation instructions and hardware included.
- Liner opening size: 10 1/4" deep by 19 1/2" wide.
- Painted will be used for TrueColor™.
- No changes or cancellations will be accepted after 24 hours from acknowledgment of order.
- Modifications are not available.

CLASSIC WOOD HOOD CHIMNEY



30" – **WHC30**
 36" – **WHC36**
 42" – **WHC42**

- 3/4" thick plywood.
- Trimmable.
- If trimmed, moulding is recommended to conceal any cut marks.
- Optional accessory for Wood Hood Square (WHS).
- WHC30 and WHCT30 are not compatible with CONVERSION.
- Painted will be used for TrueColor™.
- No changes or cancellations will be accepted after 24 hours from acknowledgment of order.
- Modifications are not available.

ARTISAN

WATERFALL

CRAFTSMAN

SIGNATURE
MANTEL

SHIPLAP

TAPERED
HOOD

CANOPY
HOOD

CLASSIC

BATTEN
HOOD

SIMPLE

BLOWER

Why
Diamond One

How to
Order

Doors

Finishes

Construction

Mods &
Glass

Wall

Base

Tall

Vanity

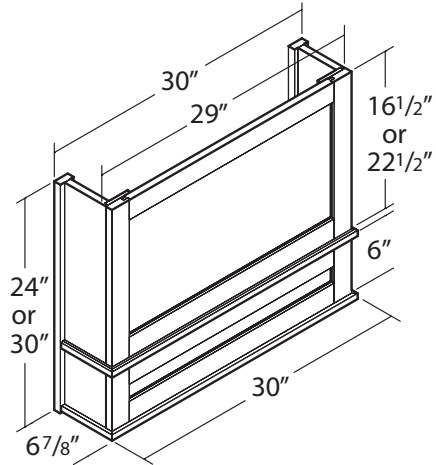
Universal
Access

Moulding

Accessories

Service &
Policies

STRAIGHT BATTEN WOOD HOOD



24" – **WHSBATTEN3024**
 30" – **WHSBATTEN3030**

- Install between adjacent cabinets.
- Exhaust system not included. Compatible with all Diamond One blowers.
- Check local building code and appliance installation specifications for clearance requirements and installation heights above the range.
- Silver metallic liner included. Assembly required.
- Installation instructions and hardware included.
- Liner opening size: 10 1/4" deep by 19 1/2" wide.
- End rails, side stiles, and center stiles are 2 1/4" wide with a shaker profile.
- Grain runs vertical on center panels in upper section and horizontal on center panel in lower section.
- Painted will be used for TrueColor™.
- No changes or cancellations will be accepted after 24 hours from acknowledgment of order.
- Modifications are not available.

ARTISAN

WATERFALL

CRAFTSMAN

SIGNATURE
MANTEL

SHIPLAP

TAPERED
HOOD

CANOPY
HOOD

CLASSIC

**BATTEN
HOOD**

SIMPLE

BLOWER

Why
Diamond One

How to
Order

Doors

Finishes

Construction

Mods &
Glass

Wall

Base

Tall

Vanity

Universal
Access

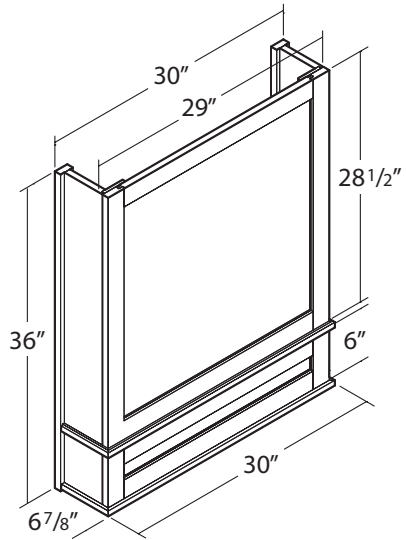
Moulding

Accessories

Service &
Policies

STRAIGHT BATTEN WOOD HOOD

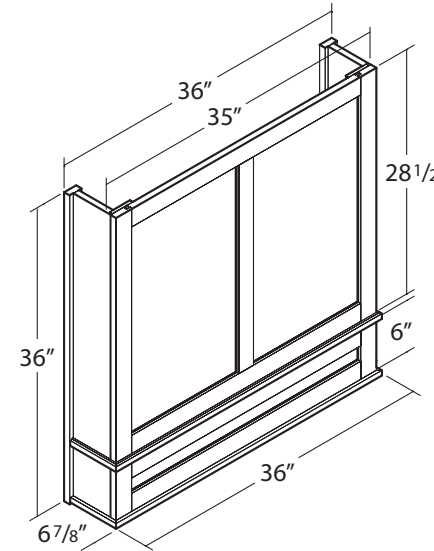
30" – WHSBATTEN3036



- Install between adjacent cabinets.
- Exhaust system not included. Compatible with all Diamond One blowers.
- Check local building code and appliance installation specifications for clearance requirements and installation heights above the range.
- Silver metallic liner included. Assembly required.
- Installation instructions and hardware included.
- Liner opening size: 10 1/4" deep by 19 1/2" wide.
- End rails, side stiles, and center stiles are 2 1/4" wide with a shaker profile.
- Grain runs vertical on center panels in upper section and horizontal on center panel in lower section.
- Painted will be used for TrueColor™.
- No changes or cancellations will be accepted after 24 hours from acknowledgment of order.
- Modifications are not available.

STRAIGHT BATTEN WOOD HOOD

36" – WHSBATTEN3636



- Install between adjacent cabinets.
- Exhaust system not included. Compatible with all Diamond One blowers.
- Check local building code and appliance installation specifications for clearance requirements and installation heights above the range.
- Silver metallic liner included. Assembly required.
- Installation instructions and hardware included.
- Liner opening size: 10 1/4" deep by 19 1/2" wide.
- End rails, side stiles, and center stiles are 2 1/4" wide with a shaker profile.
- Grain runs vertical on center panels in upper section and horizontal on center panel in lower section.
- Painted will be used for TrueColor™.
- No changes or cancellations will be accepted after 24 hours from acknowledgment of order.
- Modifications are not available.

ARTISAN

WATERFALL

CRAFTSMAN

SIGNATURE
MANTEL

SHIPLAP

TAPERED
HOOD

CANOPY
HOOD

CLASSIC

**BATTEN
HOOD**

SIMPLE

BLOWER

Why
Diamond One

How to
Order

Doors

Finishes

Construction

Mods &
Glass

Wall

Base

Tall

Vanity

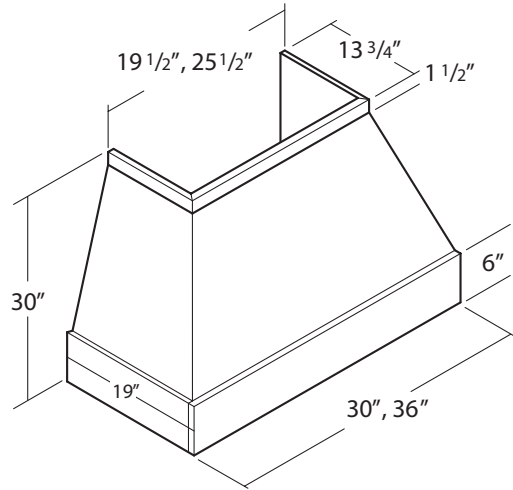
Universal
Access

Moulding

Accessories

Service &
Policies

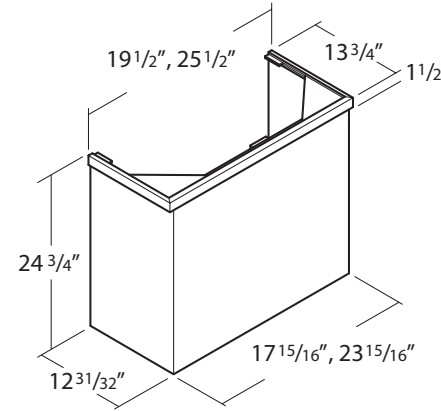
SIMPLE TAPERED WOOD HOOD



30" – **WHSMT30**
36" – **WHSMT36**

- Freestanding unit (must be properly secured to wall and cannot be attached to adjacent cabinets).
- Exhaust system not included. Compatible with all Diamond One blowers.
- Compatible with Simple Wood Hood Chimney (WHSMC_ _), which can be trimmed. See below.
- Check local building code and appliance installation specifications for clearance requirements and installation heights above the range.
- Silver metallic liner included. Assembly required.
- Installation instructions and hardware included.
- Liner opening size: 10 1/4" deep by 19 1/2" wide.
- Painted will be used for TrueColor™.
- No changes or cancellations will be accepted after 24 hours from acknowledgment of order.
- Modifications are not available.

SIMPLE WOOD HOOD CHIMNEY



30" – **WHSMC30**
36" – **WHSMC36**

- Trimmable. If trimmed, moulding is recommended to conceal any cut marks.
- Optional accessory for Simple Tapered Wood Hoods (WHSMT_ _) for an installed height of 54".
- Painted will be used for TrueColor™.
- No changes or cancellations will be accepted after 24 hours from acknowledgment of order.
- Modifications are not available.

ARTISAN

WATERFALL

CRAFTSMAN

SIGNATURE
MANTEL

SHIPLAP

TAPERED
HOOD

CANOPY
HOOD

CLASSIC

BATTEN
HOOD

SIMPLE

BLOWER

Why
Diamond One

How to
Order

Doors

Finishes

Construction

Mods &
Glass

Wall

Base

Tall

Vanity

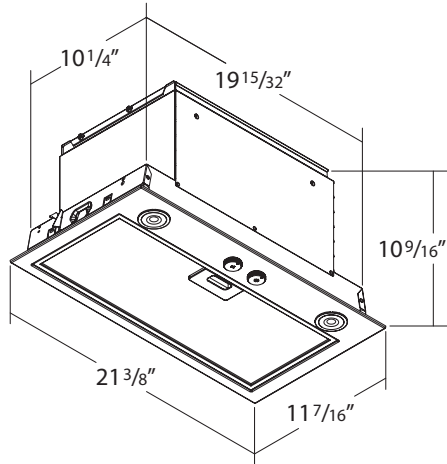
Universal
Access

Moulding

Accessories

Service &
Policies

WOOD HOOD BLOWER, 400 CFM

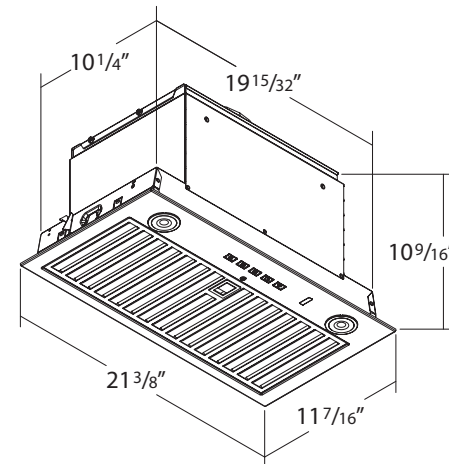


BLOWER400



- 400 CFM, Energy Star rated.
- Two 2.8 watt (250+ Lumens) LED lights included.
- Installation instructions, warranty, and repair information included.
- Stainless Steel finish.
- Three speed rotary switch control.
- Includes removable dishwasher safe grease filter.
- Heat Sentry technology included.
- 1 year warranty.
- Compatible with all Wood Hoods.
- Modifications are not available.

WOOD HOOD BLOWER, 600 CFM



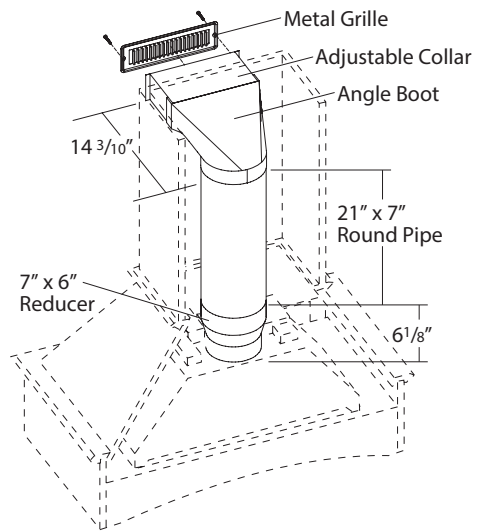
BLOWER600



- 600 CFM.
- Two 3 watt (300+ Lumens, 3 settings) LED lights included.
- Installation instructions, warranty, and repair information included.
- Stainless Steel finish.
- Four speed push button control.
- Includes removable dishwasher safe grease filter.
- WIFI Enabled, Auto-Sensing, and Heat Sentry technology included.
- 1 year warranty.
- Compatible with all Wood Hoods.
- Modifications are not available.

ARTISAN WATERFALL CRAFTSMAN SIGNATURE MANTEL SHIPLAP TAPERED HOOD CANOPY HOOD CLASSIC BATTEN HOOD SIMPLE **BLOWER**

WOOD HOOD INTERIOR DUCTWORK CONVERSION KIT



CONVERSION



- CONVERSION includes: (1) 21" x 7" round pipe, (1) adjustable collar, (1) white metal soffit grille (11 3/8" x 3 5/8"), (1) angle boot, (1) 7" x 6" reducer, filter and installation instructions.
- CONVERSION is not compatible with WHC30.
- CONVERSION is compatible with all Diamond One blowers.
- Modifications are not available.

ARTISAN

WATERFALL

CRAFTSMAN

SIGNATURE
MANTEL

SHIPLAP

TAPERED
HOOD

CANOPY
HOOD

CLASSIC

BATTEN
HOOD

SIMPLE

BLOWER

Why
Diamond One

How to
Order

Doors

Finishes

Construction

Mods &
Glass

Wall

Base

Tall

Vanity

Universal
Access

Moulding

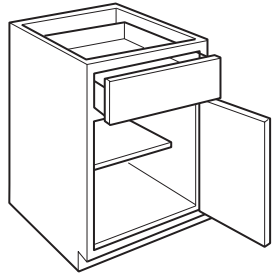
Accessories

Service &
Policies

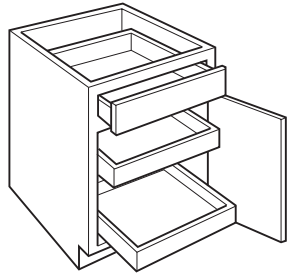
Mods Available on Base Cabinets*

APC	CG	FPEB	ID	MD	MIP	P	RD	RECTK	FB
•		•			•	•	•	•	•

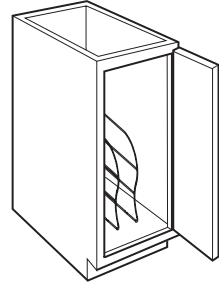
*See Exceptions Noted in SKU sections



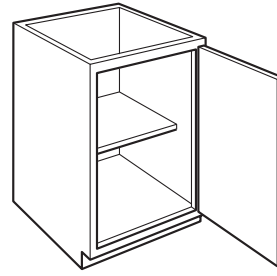
SINGLE DOOR*



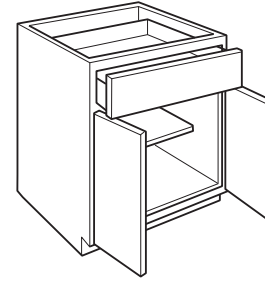
SINGLE DOOR with ROLL TRAYS*



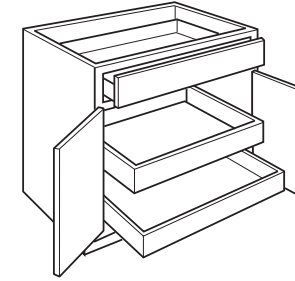
FULL HEIGHT BASE with TRAY DIVIDER*



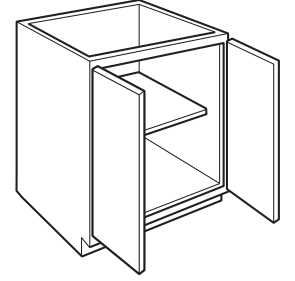
FULL HEIGHT BASE SINGLE DOOR*



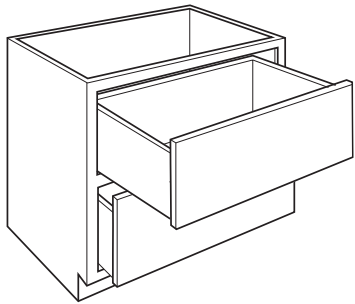
DOUBLE DOOR



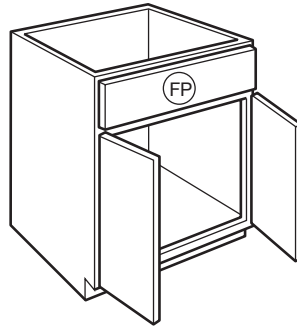
DOUBLE DOOR with ROLL TRAYS



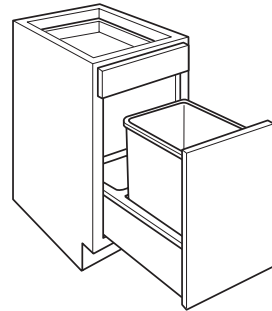
FULL HEIGHT BASE DOUBLE DOOR



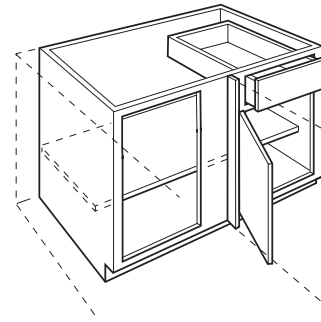
DRAWER BASE CABINETS



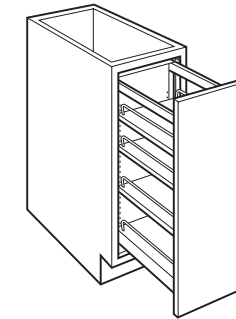
SINK BASE



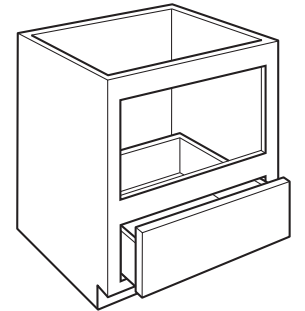
WASTEBASKET



BASE CORNER



PANTRY PULL OUT



MICROWAVE

*Single door cabinets produced hinged right but may be flipped to be left hinged.

SINGLE DOOR

SINGLE DOOR WITH ROLL TRAYS

FULL HEIGHT BASE WITH TRAY DIVIDER

FULL HEIGHT BASE SINGLE DOOR

DOUBLE DOOR

DOUBLE DOOR WITH ROLL TRAYS

FULL HEIGHT BASE DOUBLE DOOR

DRAWER BASE CABINETS

SINK BASE

WASTEBASKET

BASE CORNER

PANTRY PULL OUT

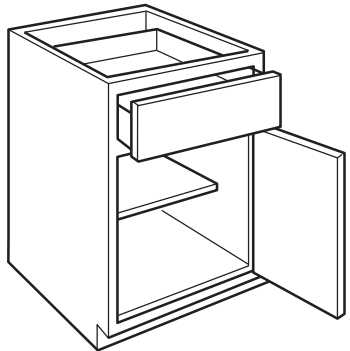
MICROWAVE

BASE SINGLE DOOR

34 1/2" HEIGHT

24" DEPTH

9", 12", 15", 18", 21" WIDE



B9R
B12R
B15R
B18R
B21R

- Adjustable 15" deep shelves.
- P modification is not available on B9R.

**SINGLE
DOOR**

FULL HEIGHT
SINGLE DOOR

SINGLE DOOR
WITH ROLL TRAYS

Why
Diamond One

How to
Order

Doors

Finishes

Construction

Mods &
Glass

Wall

Base

Tall

Vanity

Universal
Access

Moulding

Accessories

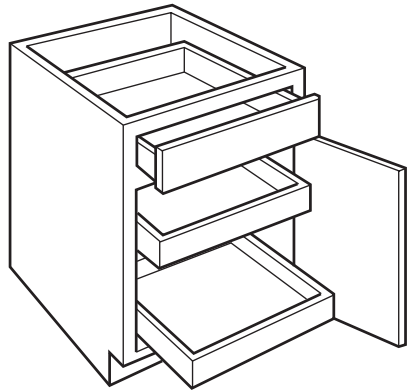
Service &
Policies

BASE SINGLE DOOR WITH ROLL TRAYS

34 1/2" HEIGHT

24" DEPTH

12", 15", 18", 21" WIDE



B12RTR
B15RTR
B18RTR
B21RTR

- 2 roll trays standard.
- Cabinets may accommodate up to 4 roll trays, which may be purchased separately for field installation. See page 141.
- P modification is not available.

SINGLE
DOOR

FULL HEIGHT
SINGLE DOOR

**SINGLE DOOR
WITH ROLL TRAYS**

DOUBLE
DOOR

DOUBLE DOOR
WITH ROLL TRAYS

FULL HEIGHT
DOUBLE DOOR

Why
Diamond One

How to
Order

Doors

Finishes

Construction

Mods &
Glass

Wall

Base

Tall

Vanity

Universal
Access

Moulding

Accessories

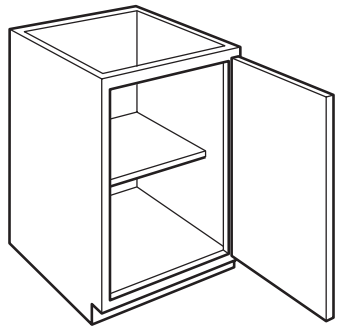
Service &
Policies

FULL HEIGHT BASE SINGLE DOOR

34 ½" HEIGHT

24" DEPTH

6", 9", 12", 15", 18", or 21"



B6FHR
B9FHR
B12FHR
B15FHR
B18FHR
B21FHR

- Adjustable 15" deep shelf.
- P modification is not available on B6FHR and B9FHR.

SINGLE
DOOR

**FULL HEIGHT
SINGLE DOOR**

SINGLE DOOR
WITH ROLL TRAYS

DOUBLE
DOOR

DOUBLE DOOR
WITH ROLL TRAYS

FULL HEIGHT
DOUBLE DOOR

Why
Diamond One

How to
Order

Doors

Finishes

Construction

Mods &
Glass

Wall

Base

Tall

Vanity

Universal
Access

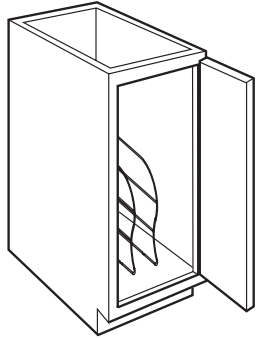
Moulding

Accessories

Service &
Policies

FULL HEIGHT BASE WITH TRAY DIVIDER

34 1/2" HEIGHT
24" DEPTH
12" WIDE



TD12FHR

- Tray Divider is chrome.
- Divider is removable for easy cleaning.
- P, RD modifications are not available.

PANTRY
PULL OUT

UTENSIL PANTRY
PULL OUT

WASTEBASKET

FULL HEIGHT
WASTEBASKET

**FULL HEIGHT BASE
WITH TRAY DIVIDER**

DRAWER BASE
CABINETS

Why
Diamond One

How to
Order

Doors

Finishes

Construction

Mods &
Glass

Wall

Base

Tall

Vanity

Universal
Access

Moulding

Accessories

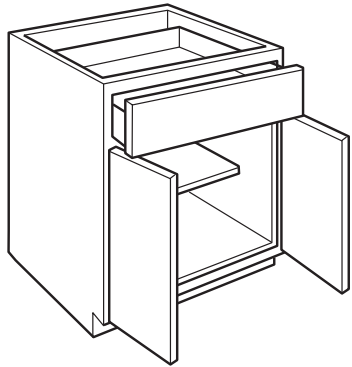
Service &
Policies

BASE DOUBLE DOOR

34 1/2" HEIGHT

24" DEPTH

24", 27", 30", 33", 36" WIDE



B24
B27
B30
B33
B36

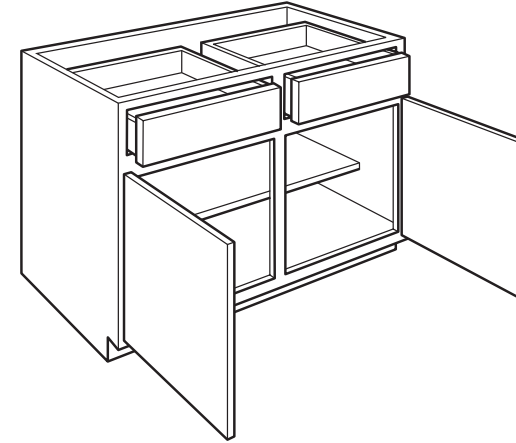
• Adjustable 15" deep shelves.

BASE DOUBLE DOOR

34 1/2" HEIGHT

24" DEPTH

39", 42" WIDE



B39
B42

• Adjustable 15" deep shelves.

**DOUBLE
DOOR**

FULL HEIGHT
DOUBLE DOOR

DOUBLE DOOR
WITH ROLL TRAYS

Why
Diamond One

How to
Order

Doors

Finishes

Construction

Mods &
Glass

Wall

Base

Tall

Vanity

Universal
Access

Moulding

Accessories

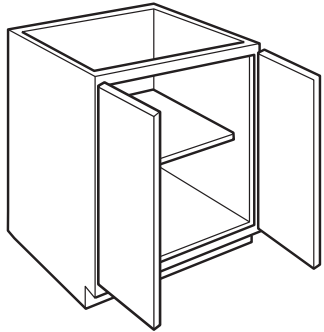
Service &
Policies

FULL HEIGHT BASE DOUBLE DOOR

34 1/2" HEIGHT

24" DEPTH

24", 27", 30", 33", 36" WIDE



B24FH
B27FH
B30FH
B33FH
B36FH

• Adjustable 15" deep shelf.

DOUBLE
DOOR

**FULL HEIGHT
DOUBLE DOOR**

DOUBLE DOOR
WITH ROLL TRAYS

Why
Diamond One

How to
Order

Doors

Finishes

Construction

Mods &
Glass

Wall

Base

Tall

Vanity

Universal
Access

Moulding

Accessories

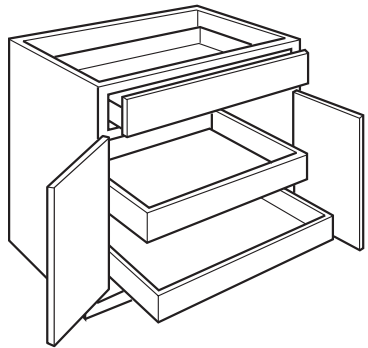
Service &
Policies

BASE DOUBLE DOOR WITH ROLL TRAYS

34 1/2" HEIGHT

24" DEPTH

24", 27", 30", 33", 36" WIDE



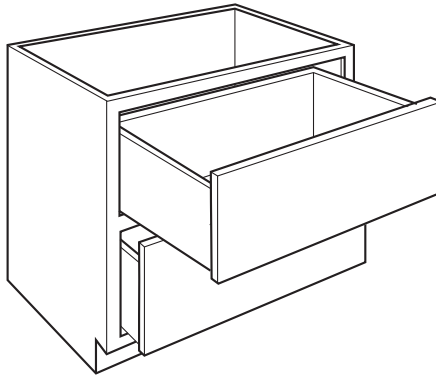
B24RT
B27RT
B30RT
B33RT
B36RT

- 2 roll trays standard.
- Cabinet has butt doors, no center stile.
- Cabinet may accommodate up to 4 roll trays, which may be purchased separately for field installation. See page 141.
- P modification is not available.

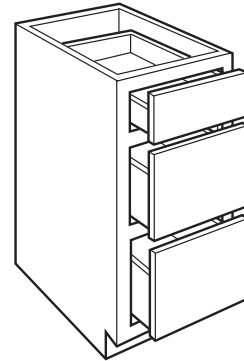
DOUBLE
DOOR

FULL HEIGHT
DOUBLE DOOR

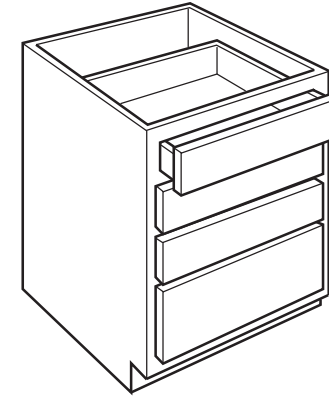
DOUBLE DOOR
WITH ROLL TRAYS



2 DRAWER



3 DRAWER



4 DRAWER

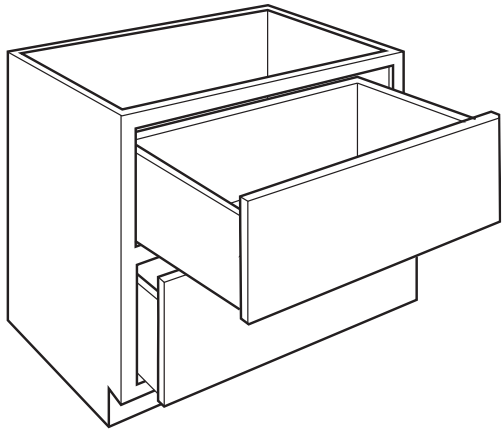
2 DRAWER
BASE

3 DRAWER
BASE

4 DRAWER
BASE

2 DRAWER BASE

34 1/2" HEIGHT
24" DEPTH
24", 30", 36"



2DB24
2DB30
2DB36

- Exterior drawer box height is 10".
- MIP, P modifications are not available.

**2 DRAWER
BASE**

3 DRAWER
BASE

4 DRAWER
BASE

Why
Diamond One

How to
Order

Doors

Finishes

Construction

Mods &
Glass

Wall

Base

Tall

Vanity

Universal
Access

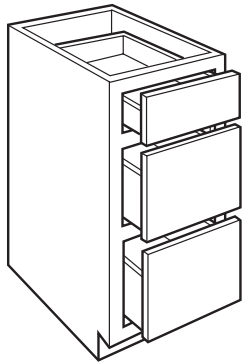
Moulding

Accessories

Service &
Policies

3 DRAWER BASE

34 ½" HEIGHT
24" DEPTH
12", 15", 18", 21" WIDE

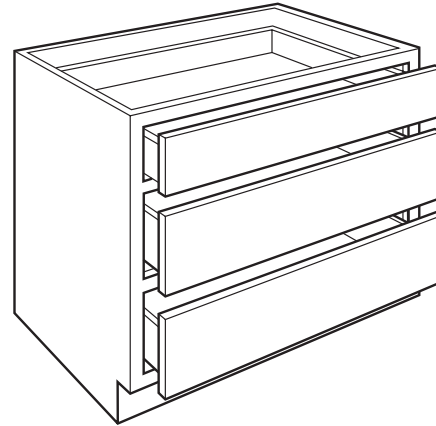


3DB12
3DB15
3DB18
3DB21

- Exterior height of bottom 2 drawer boxes is 6 3/8".
- MIP, P modifications are not available.

3 DRAWER BASE

34 ½" HEIGHT
24" DEPTH
24", 27", 30", 33", 36" WIDE



3DB24
3DB27
3DB30
3DB33
3DB36

- Exterior height of bottom 2 drawer boxes is 6 3/8".
- MIP, P modifications are not available.

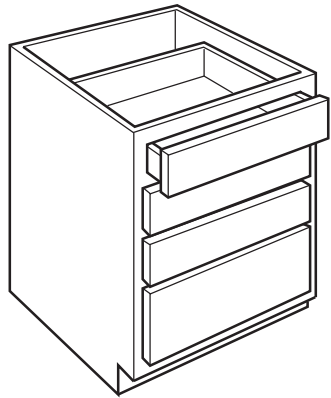
2 DRAWER
BASE

**3 DRAWER
BASE**

4 DRAWER
BASE

4 DRAWER BASE

34 ½" HEIGHT
24" DEPTH
12", 15", 18", 21" WIDE

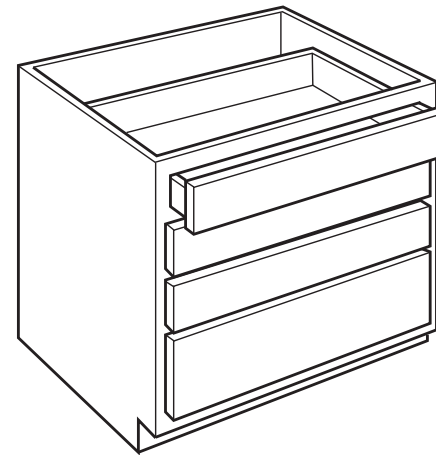


4DB12
4DB15
4DB18
4DB21

- Exterior height of bottom drawer box is 6 3/8".
- MIP, P modifications are not available.

4 DRAWER BASE

34 ½" HEIGHT
24" DEPTH
24" WIDE



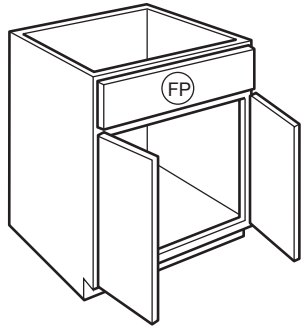
4DB24

- Exterior height of bottom drawer box is 6 3/8".
- MIP, P modifications are not available.

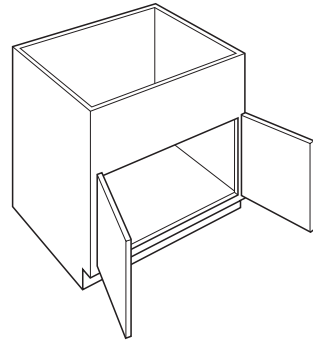
2 DRAWER
BASE

3 DRAWER
BASE

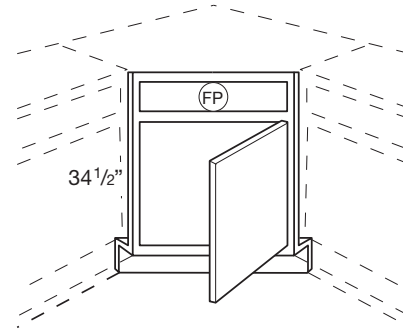
**4 DRAWER
BASE**



SINK BASE



COUNTRY SINK BASE



ANGLED CORNER SINK FRONT



ANGLED CORNER SINK FRONT BOTTOM

SINK BASE

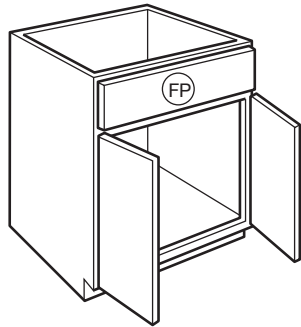
COUNTRY SINK BASE

ANGLED CORNER SINK FRONT

ANGLED CORNER SINK FRONT BOTTOM

SINK BASE

34 ½" HEIGHT
24" DEPTH
24", 27", 30", 33", 36" WIDE

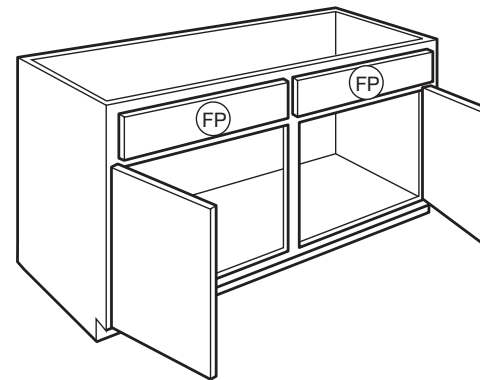


SB24
SB27
SB30
SB33
SB36

- Mini Touch-up Kit (MTUK) included. MTUK includes small touch-up marker and small fill stick.
- P modification is not available.

SINK BASE

34 ½" HEIGHT
24" DEPTH
39", 42" WIDE



SB39
SB42

- Mini Touch-up Kit (MTUK) included. MTUK includes small touch-up marker and small fill stick.
- P modification is not available.

SINK BASE

COUNTRY
SINK BASE

ANGLED CORNER
SINK FRONT

ANGLED CORNER SINK
FRONT BOTTOM

Why
Diamond One

How to
Order

Doors

Finishes

Construction

Mods &
Glass

Wall

Base

Tall

Vanity

Universal
Access

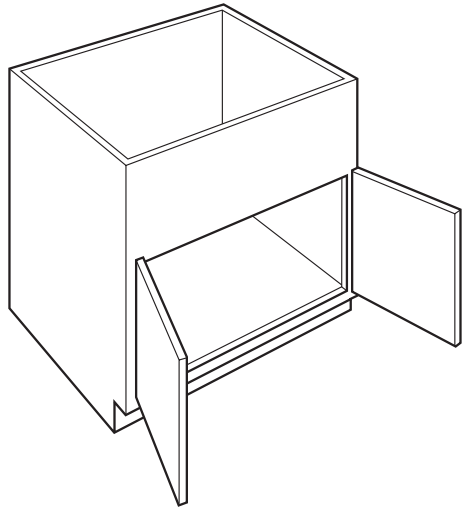
Moulding

Accessories

Service &
Policies

COUNTRY SINK BASE

34 1/2" HEIGHT
24" DEPTH
33", 36" WIDE

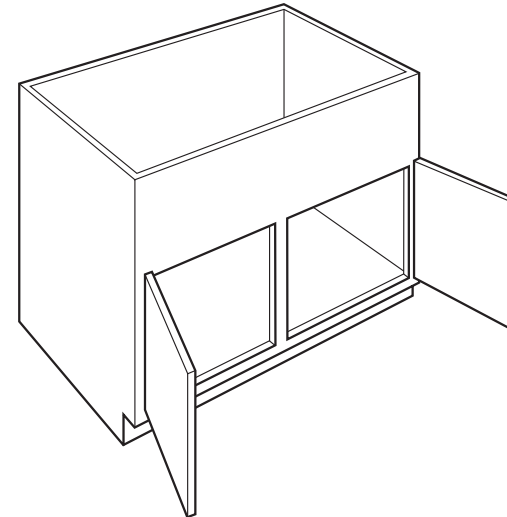


CNTYSB33 CNTYSB36

- 13 1/2" panel can be trimmed up to 12".
- Mini Touch-up Kit (MTUK) included. MTUK includes small touch-up marker and small fill stick.
- Refer to sink manufacturer's recommendations for additional support required for apron front sinks.
- P modification is not available.

COUNTRY SINK BASE

34 1/2" HEIGHT
24" DEPTH
39" WIDE



CNTYSB39

- 13 1/2" panel can be trimmed up to 12".
- Mini Touch-up Kit (MTUK) included. MTUK includes small touch-up marker and small fill stick.
- Refer to sink manufacturer's recommendations for additional support required for apron front sinks.
- P modification is not available.

SINK BASE

**COUNTRY
SINK BASE**

ANGLED CORNER
SINK FRONT

ANGLED CORNER SINK
FRONT BOTTOM

Why
Diamond One

How to
Order

Doors

Finishes

Construction

Mods &
Glass

Wall

Base

Tall

Vanity

Universal
Access

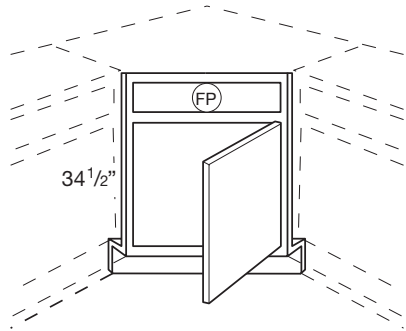
Moulding

Accessories

Service &
Policies

ANGLED CORNER SINK FRONT

34 1/2" HEIGHT
— DEPTH
36" WIDE



Max. Sink Widths if cut-back
is 4 from face of front frame

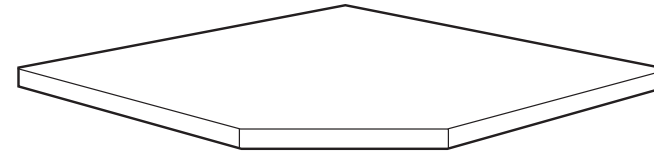
FP = False Panel

ACSF36R

- Edges beveled at 45°.
- Angled corner sink front bottom required for field installation. Order separately. See next item.
- Toekick and toekick return shipped unattached from the face frame.
- On ACSF36R, full overlay styles use the same width doors as partial overlay styles (14 1/2" wide) with a partial overlay hinge (38NPOHINGE) to allow for proper door clearance with adjacent cabinets.
- For sufficient dishwasher door clearance and loading/unloading space, a 15" wide base cabinet is recommended for use between a corner sink base and dishwasher.
- Modifications are not available.

ANGLED CORNER SINK FRONT BOTTOM

34 1/2" HEIGHT
— DEPTH
42" WIDE



ACSFB36



- Designed for use with Angled Corner Sink Front.
- 3/8" thick.
- Trimmable.
- Cabinet bottom is sized for use next to an adjacent wall or cabinet with flush ends.
- Modifications are not available.

SINK BASE

COUNTRY
SINK BASE

ANGLED CORNER
SINK FRONT

ANGLED CORNER SINK
FRONT BOTTOM

Why
Diamond One

How to
Order

Doors

Finishes

Construction

Mods &
Glass

Wall

Base

Tall

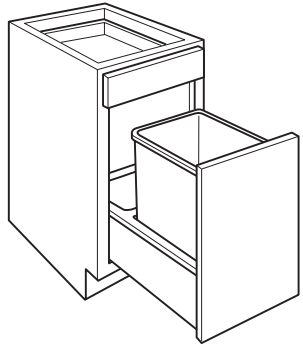
Vanity

Universal
Access

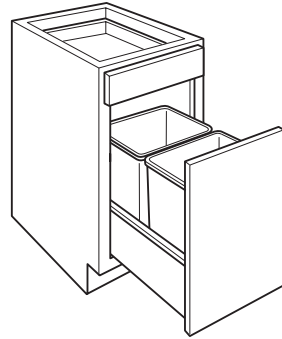
Moulding

Accessories

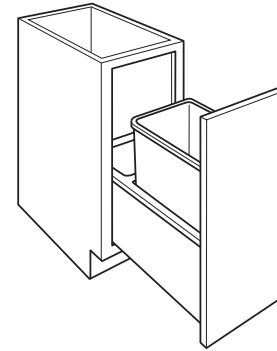
Service &
Policies



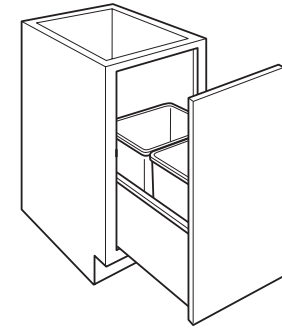
WASTEBASKET SINGLE BIN



WASTEBASKET DOUBLE BIN



FULL HEIGHT WASTEBASKET
SINGLE BIN



FULL HEIGHT WASTEBASKET
DOUBLE BIN

WASTEBASKET
SINGLE BIN

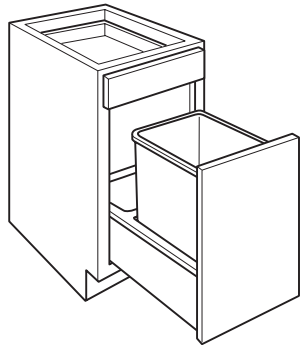
WASTEBASKET
DOUBLE BIN

FULL HEIGHT WASTEBASKET
SINGLE BIN

FULL HEIGHT WASTEBASKET
DOUBLE BIN

BASE WASTEBASKET

34 ½" HEIGHT
24" DEPTH
15" WIDE



BWB15

- Pull-out features undermount soft-close guides.
- BWB15 includes one 35 quart gray wastebasket and a trash bag storage area.
- MIP, P, RD modifications are not available.

WASTEBASKET
SINGLE BIN

WASTEBASKET
DOUBLE BIN

FULL HEIGHT WASTEBASKET
SINGLE BIN

FULL HEIGHT WASTEBASKET
DOUBLE BIN

Why
Diamond One

How to
Order

Doors

Finishes

Construction

Mods &
Glass

Wall

Base

Tall

Vanity

Universal
Access

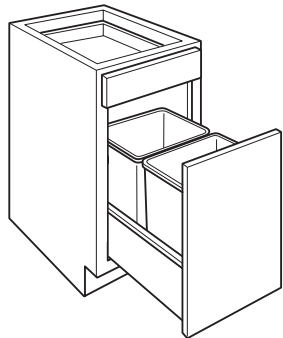
Moulding

Accessories

Service &
Policies

BASE WASTEBASKET

34 ½" HEIGHT
24" DEPTH
18" WIDE

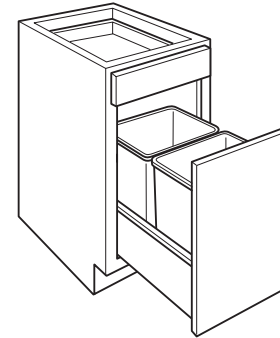


BWB18

- Pull-out features undermount soft-close guides.
- BWB18 include two 35 quart gray wastebaskets.
- MIP, P, RD modifications are not available.

BASE WASTEBASKET

34 ½" HEIGHT
24" DEPTH
21" WIDE



BWB21

- Pull-out features undermount soft-close guides.
- BWB21 include two 35 quart gray wastebaskets.
- MIP, P, RD modifications are not available.

WASTEBASKET
SINGLE BIN

WASTEBASKET
DOUBLE BIN

FULL HEIGHT WASTEBASKET
SINGLE BIN

FULL HEIGHT WASTEBASKET
DOUBLE BIN

Why
Diamond One

How to
Order

Doors

Finishes

Construction

Mods &
Glass

Wall

Base

Tall

Vanity

Universal
Access

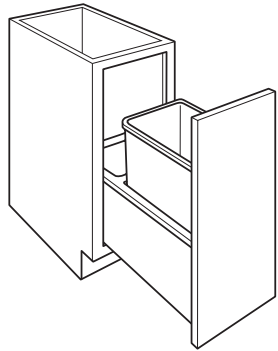
Moulding

Accessories

Service &
Policies

BASE WASTEBASKET FULL HEIGHT

34 ½" HEIGHT
24" DEPTH
15" WIDE



BWB15FH

- Pull-out features undermount soft-close guides.
- BWB15FH includes one 50 quart gray wastebasket and a trash bag storage area.
- MIP, P, RD modifications are not available.

WASTEBASKET
SINGLE BIN

WASTEBASKET
DOUBLE BIN

**FULL HEIGHT WASTEBASKET
SINGLE BIN**

FULL HEIGHT WASTEBASKET
DOUBLE BIN

Why
Diamond One

How to
Order

Doors

Finishes

Construction

Mods &
Glass

Wall

Base

Tall

Vanity

Universal
Access

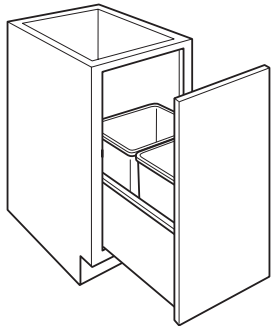
Moulding

Accessories

Service &
Policies

BASE WASTEBASKET FULL HEIGHT

34 ½" HEIGHT
24" DEPTH
18" WIDE

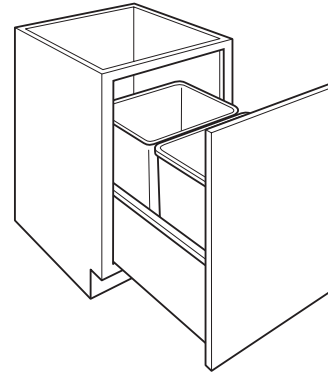


BWB18FH2

- Pull-out features undermount soft-close guides.
- BWB18FH2 includes two 35 quart gray wastebaskets.
- MIP, P, RD modifications are not available.

BASE WASTEBASKET FULL HEIGHT

34 ½" HEIGHT
24" DEPTH
21" WIDE



BWB21FH

- Pull-out features undermount soft-close guides.
- BWB21FH includes two 50 quart gray wastebaskets.
- MIP, P, RD modifications are not available.

WASTEBASKET
SINGLE BIN

WASTEBASKET
DOUBLE BIN

FULL HEIGHT WASTEBASKET
SINGLE BIN

FULL HEIGHT WASTEBASKET
DOUBLE BIN

Why
Diamond One

How to
Order

Doors

Finishes

Construction

Mods &
Glass

Wall

Base

Tall

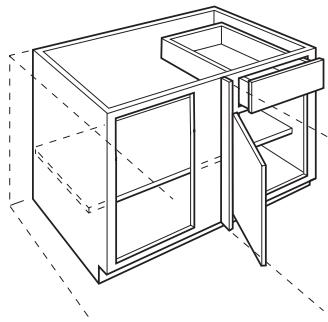
Vanity

Universal
Access

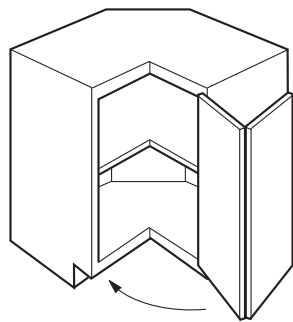
Moulding

Accessories

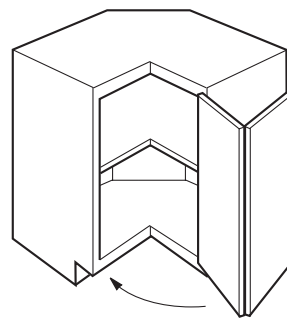
Service &
Policies



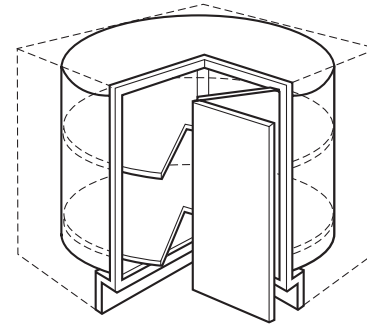
BLIND CORNER



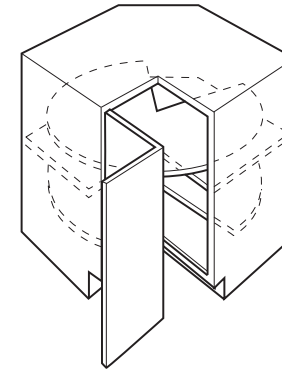
**ASYMMETRICAL BASE
EASY REACH**



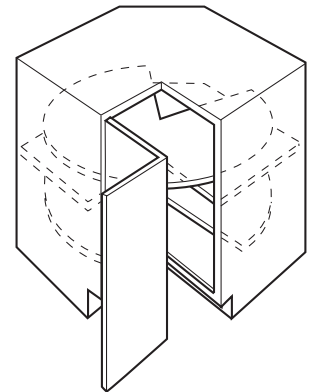
EASY REACH



LAZY SUSAN



**ASYMMETRICAL SUPER
LAZY SUSAN**



SUPER LAZY SUSAN

BLIND
CORNER

ASYMMETRICAL
BASE EASY REACH

EASY
REACH

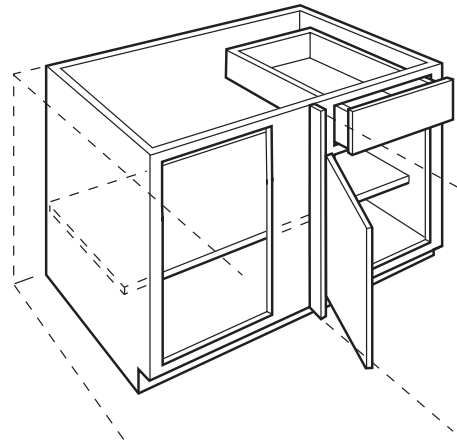
LAZY
SUSAN

ASYMMETRICAL
SUPER LAZY SUSAN

SUPER LAZY
SUSAN

BASE CORNER

34 1/2" HEIGHT
 24" DEPTH
 36", 39", 42", 45", 48" WIDE

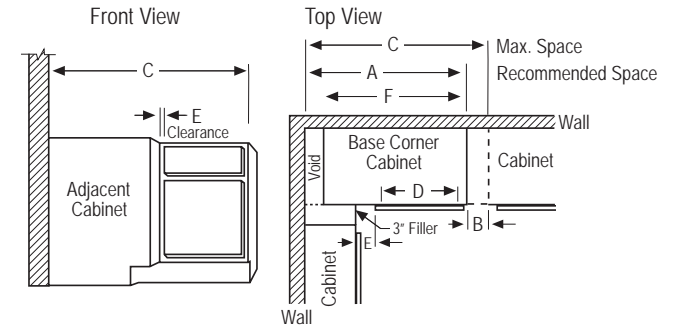


BC36 L or R
BC39 L or R
BC42 L or R
BC45 L or R
BC48 L or R

- Includes one 3" filler, shipped unattached.
- L or R indicates void. L (left) void shown.
- Adjustable 15" deep shelf.
- On void side, do not install next to an appliance deeper than standard cabinet depth due to clearance needed for the door and drawer.
- P modification is not available.

Base Corner Cabinets

- BCs use the wall space the nomenclature implies.
- Remember to use 3" filler on adjoining cabinets.
- The adjoining run of cabinets will cover the void.
- It is not recommended to place BC cabinets next to appliances where any face component is deeper than 27".



Model	A Recommended Space	B Max. Pull*	C Max. Space	D Face Frame Opening	E*		E*		F Actual Cabinet	Full Overlay Door Width	Partial Overlay Door Width
					Full Overlay At Min.**	Full Overlay At Max.	Partial Overlay At Min.**	Partial Overlay At Max.			
BC36	36"	6"	42"	7 1/2"	1 3/4"	7 3/4"	2 1/2"	8 1/2"	27"	10"	8 1/2"
BC39	39"	4 1/2"	43 1/2"	9"	3 1/4"	7 3/4"	4"	8 1/2"	30"	11 1/2"	10"
BC42	42"	6"	48"	13 1/2"	1 3/4"	7 3/4"	2 1/2"	8 1/2"	39"	16"	14 1/2"
BC45	45"	4 1/2"	49 1/2"	15"	3 1/4"	7 3/4"	4"	8 1/2"	42"	17 1/2"	16"
BC48	48"	3"	51"	16 1/2"	4 3/4"	7 3/4"	5 1/2"	8 1/2"	45"	19"	17 1/2"

*Minimum/maximum space between inside edge of door and face of filler/adjoining cabinet. If cabinet is pulled to maximum stated dimension, filler will need to be cleared for proper attachment.
 **When using hardware on cabinet doors/drawers, additional clearance may be needed.

BLIND CORNER

ASYMMETRICAL
BASE EASY REACH

EASY REACH

LAZY SUSAN

ASYMMETRICAL
SUPER LAZY SUSAN

SUPER LAZY
SUSAN

Why Diamond One

How to Order

Doors

Finishes

Construction

Mods & Glass

Wall

Base

Tall

Vanity

Universal Access

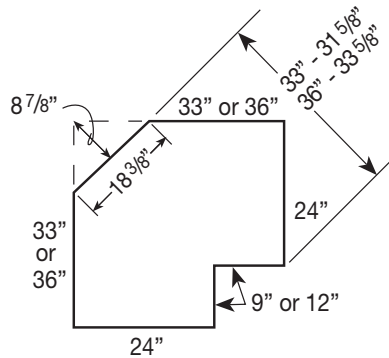
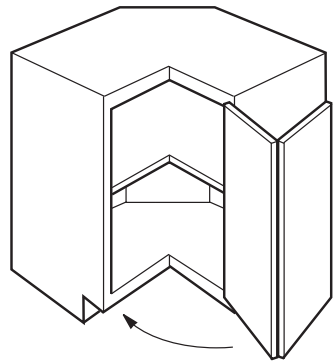
Moulding

Accessories

Service & Policies

ASYMMETRICAL BASE EASY REACH

34 1/2" HEIGHT
24" DEPTH
33", 36" WIDE



BER3336 L or R BER3633 L or R

- BER3336 L or R wall width is 33" x 36".
- BER3633 L or R wall width is 36" x 33".
- Legs at the front frames are 9" on 33" and 12" on 36" leg.
- Nomenclature for asymmetrical cabinets reads as follows:
First set of numbers = left side of cabinet dimensions.
Second set of numbers = right side of cabinet dimensions.
- Decorative hardware screws must be countersunk to prevent scratching of adjacent cabinets and face frame of BER.
- Fixed shelf is 1/2" thick laminated furniture board.
- Not recommended for use next to an appliance deeper than standard cabinet depth.
- Integrated soft-close hinge not included.
- MIP, P, RD, RECTKL, RECTKR modifications are not available.

BLIND
CORNER

**ASYMMETRICAL
BASE EASY REACH**

EASY
REACH

LAZY
SUSAN

ASYMMETRICAL
SUPER LAZY SUSAN

SUPER LAZY
SUSAN

Why
Diamond One

How to
Order

Doors

Finishes

Construction

Mods &
Glass

Wall

Base

Tall

Vanity

Universal
Access

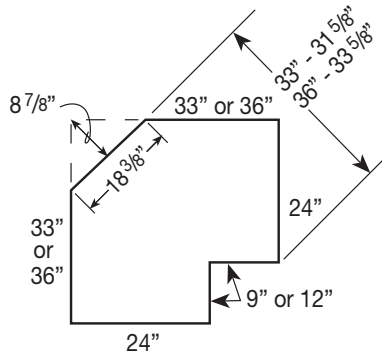
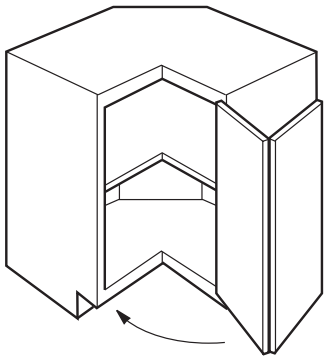
Moulding

Accessories

Service &
Policies

BASE EASY REACH

34 1/2" HEIGHT
24" DEPTH
33", 36" WIDE



BER33 L or R BER36 L or R

- BER33 L or R wall width is 33" x 33". BER36 L or R wall width is 36" x 36".
- Decorative hardware screws must be countersunk to prevent scratching of adjacent cabinets and face frame of BER.
- Fixed shelf is 1/2" thick laminated furniture board.
- Not recommended for use next to an appliance deeper than standard cabinet depth.
- Integrated soft-close hinge not included.
- MIP, P, RD, RECTKL, RECTKR modifications are not available.

BLIND
CORNER

ASYMMETRICAL
BASE EASY REACH

**EASY
REACH**

LAZY
SUSAN

ASYMMETRICAL
SUPER LAZY SUSAN

SUPER LAZY
SUSAN

Why
Diamond One

How to
Order

Doors

Finishes

Construction

Mods &
Glass

Wall

Base

Tall

Vanity

Universal
Access

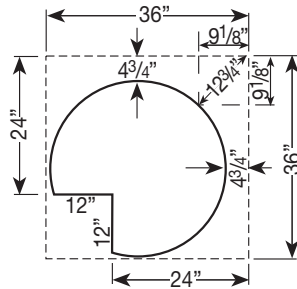
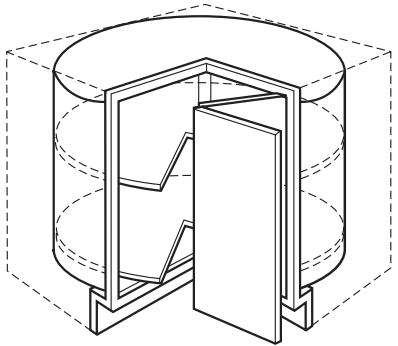
Moulding

Accessories

Service &
Policies

BASE LAZY SUSAN CORNER WITH FULL HEIGHT DOOR (CENTER HINGED DOOR)

34 1/2" HEIGHT
24" DEPTH
36" WIDE



BLS36R

- BLS36R wall width is 36" x 36".
- Cabinet is drum-shaped; adjoining cabinets create sides.
- BLS white plastic shelves are 28" diameter with a chrome pole.
- See Panels & Skins section for BLSBEP** if used at end of cabinet run.
- Drum diameter is 31 1/8" and composed of 1/8" thick hardboard.
- Decorative hardware screws must be countersunk to prevent scratching of adjacent cabinets and face frame of BLS.
- Not recommended for use next to an appliance deeper than standard cabinet depth.
- Integrated soft-close hinge not included.
- This cabinet is produced hinged right but may be flipped to be left hinged.
- Modifications are not available.

BLIND
CORNER

ASYMMETRICAL
BASE EASY REACH

EASY
REACH

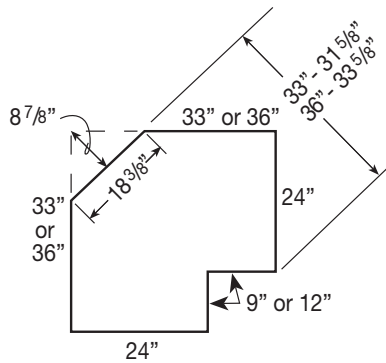
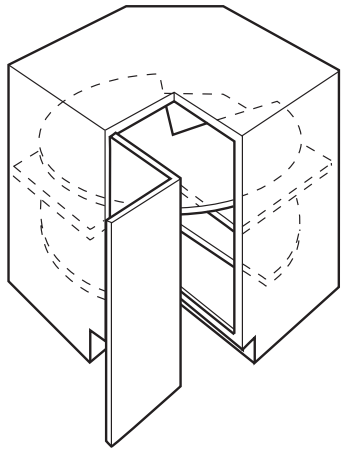
**LAZY
SUSAN**

ASYMMETRICAL
SUPER LAZY SUSAN

SUPER LAZY
SUSAN

ASYMMETRICAL SUPER LAZY SUSAN

34 1/2" HEIGHT
24" DEPTH
33", 36" WIDE



SLS3336 L or R SLS3633 L or R

- SLS3336 L or R wall width is 33" x 36".
- SLS3633 L or R wall width is 36" x 33".
- All Asymmetrical Super Susan shelves are 28" diameter.
- Features two plywood revolving shelves with a 1" plywood lip. Lower shelf is mounted to floor. Upper shelf is mounted to fixed shelf. Fixed shelf is 1/2" thick laminated furniture board.
- Nomenclature for asymmetrical cabinets reads as follows:
First set of numbers = left side of cabinet dimensions.
Second set of numbers = right side of cabinet dimensions.
- Decorative hardware screws must be countersunk to prevent scratching adjacent cabinets and face frame of SLS.
- Not recommended for use next to an appliance deeper than standard cabinet depth.
- Integrated soft-close hinge not included.
- MIP, P, RD, RECTKL, RECTKR modifications are not available.

BLIND
CORNER

ASYMMETRICAL
BASE EASY REACH

EASY
REACH

LAZY
SUSAN

**ASYMMETRICAL
SUPER LAZY SUSAN**

SUPER LAZY
SUSAN

Why
Diamond One

How to
Order

Doors

Finishes

Construction

Mods &
Glass

Wall

Base

Tall

Vanity

Universal
Access

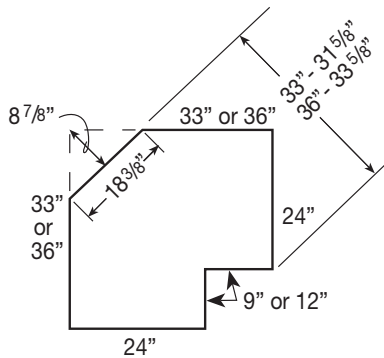
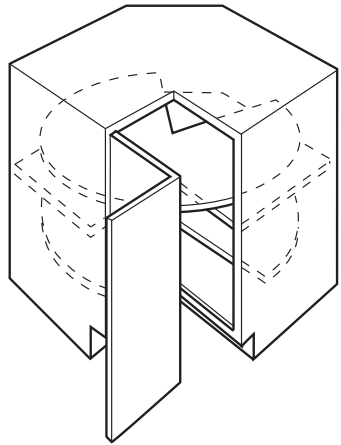
Moulding

Accessories

Service &
Policies

SUPER LAZY SUSAN

34 1/2" HEIGHT
24" DEPTH
33", 36" WIDE



SLS33 L or R SLS36 L or R

- SLS33 L or R wall width is 33" x 33".
- SLS36 L or R wall width is 36" x 36".
- SLS33 - Susans are 28" diameter.
- SLS36 - Susans are 32" diameter.
- Features two plywood revolving shelves with a 1" plywood lip. Lower shelf is mounted to floor. Upper shelf is mounted to fixed shelf. Fixed shelf is 1/2" thick laminated furniture board.
- Decorative hardware screws must be countersunk to prevent scratching adjacent cabinets and face frame of SLS.
- Not recommended for use next to an appliance deeper than standard cabinet depth.
- Integrated soft-close hinge not included.
- MIP, P, RD, RECTKL, RECTKR modifications are not available.

BLIND
CORNER

ASYMMETRICAL
BASE EASY REACH

EASY
REACH

LAZY
SUSAN

ASYMMETRICAL
SUPER LAZY SUSAN

**SUPER LAZY
SUSAN**

Why
Diamond One

How to
Order

Doors

Finishes

Construction

Mods &
Glass

Wall

Base

Tall

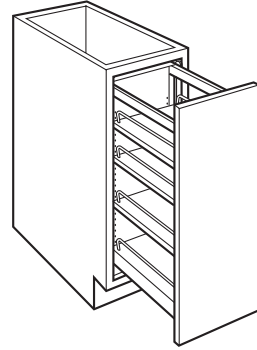
Vanity

Universal
Access

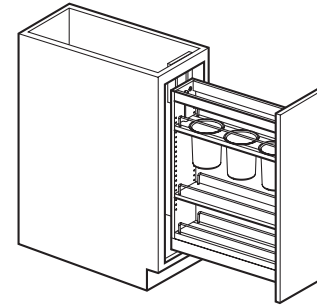
Moulding

Accessories

Service &
Policies



PANTRY PULL OUT



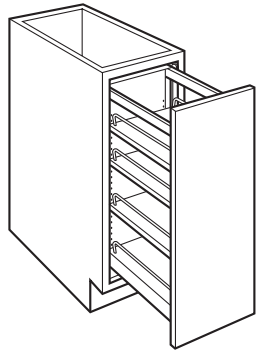
UTENSIL PANTRY PULL OUT

PANTRY
PULL OUT

UTENSIL PANTRY
PULL OUT

BASE PANTRY PULL-OUT

34 1/2" HEIGHT
24" DEPTH
9", 12" WIDE



BPP9
BPP12

- All styles feature a natural finish soft-close wood pull-out with adjustable shelves and chrome rail sides. The adjustable rear wall of the pull-out prevents items from falling behind the unit.
- MIP, P, RD modifications are not available.

**PANTRY
PULL OUT**

UTENSIL PANTRY
PULL OUT

Why
Diamond One

How to
Order

Doors

Finishes

Construction

Mods &
Glass

Wall

Base

Tall

Vanity

Universal
Access

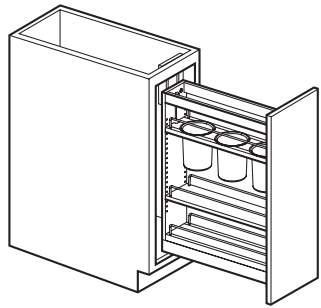
Moulding

Accessories

Service &
Policies

UTENSIL PANTRY PULL OUT

34 1/2" HEIGHT
24" DEPTH
9", 12" WIDE



BUPP9
BUPP12

- All styles feature a natural finish soft-close wood pull-out with two adjustable shelves (including canister shelf) and one fixed shelf with chrome rail sides. Top adjustable shelf features three stainless steel canisters for utensils. The adjustable rear wall of the pull-out prevents items from falling behind the unit.
- BUPP9 canisters are 5.85" tall and have an inside diameter of 4.3".
- BUPP12 canisters are 6.7" tall and have an inside diameter of 5".
- MIP, P, RD modifications are not available.

PANTRY
PULL OUT

**UTENSIL PANTRY
PULL OUT**

Why
Diamond One

How to
Order

Doors

Finishes

Construction

Mods &
Glass

Wall

Base

Tall

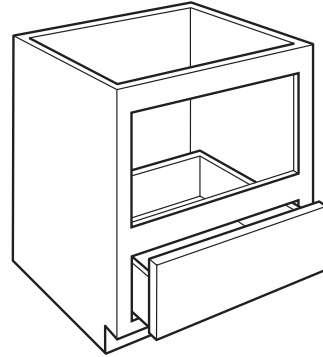
Vanity

Universal
Access

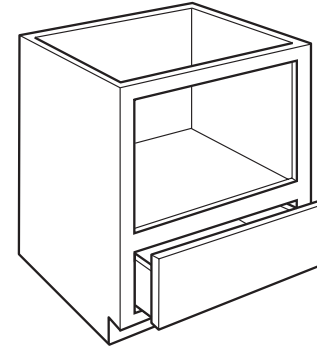
Moulding

Accessories

Service &
Policies



**BASE BUILT-IN MICROWAVE
CABINET WITH DRAWER**



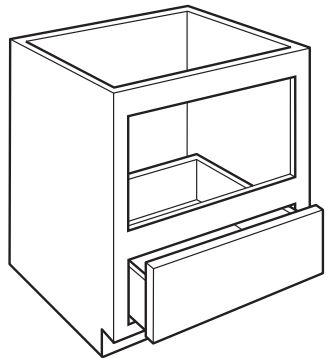
**BASE MICROWAVE CABINET
WITH DEEP DRAWER**

BASE BUILT-IN MICROWAVE
CABINET WITH DRAWER

BASE MICROWAVE CABINET
WITH DEEP DRAWER

BASE BUILT-IN MICROWAVE CABINET WITH DRAWER

34 ½" HEIGHT
24" DEPTH
30" WIDE

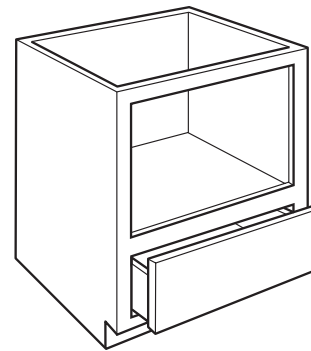


BBMWD30

- Standard interior.
- For built-in appliance support, OCINSTALLKIT is included in 24" deep cabinets (see page 164 for details), but will not be included when depth is modified.
- OCINSTALLKIT weight limit is 400 lbs. per pair.
- The usable cabinet face height between top of drawer front and top of cabinet is 19 1/8" for partial overlay and 19 3/4" for full overlay. Be sure to verify overall appliance height, gap requirements, and cut-out dimensions with cabinet specifications.
- MIP, P modifications are not available.

BASE MICROWAVE CABINET WITH DEEP DRAWER

34 ½" HEIGHT
24" DEPTH
27", 30" WIDE



BMWD27DD BMWD30DD

- Reinforced plywood floor.
- The usable cabinet face height between top of drawer front and top of cabinet is 23 1/2" for partial overlay and full overlay. Be sure to verify overall appliance height, gap requirements, and cut-out dimensions with cabinet specifications.
- Matching Interior Plywood (MIP) standard.
- APC, FB, P modifications are not available.

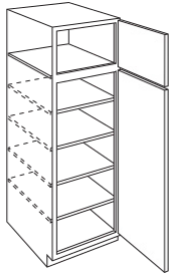
BASE BUILT-IN MICROWAVE
CABINET WITH DRAWER

BASE MICROWAVE CABINET
WITH DEEP DRAWER

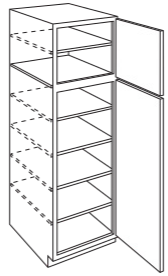
Mods Available on Tall Cabinets*

APC	CG	FPEB	ID	MD	MIP	P	RD	RECTK	FB
•		•			•		•	•	•

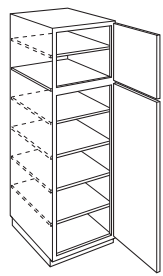
*See Exceptions Noted in SKU sections



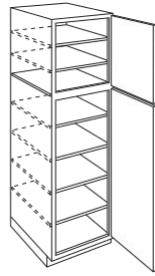
**SINGLE DOOR
TALL PANTRY
84" HIGH***



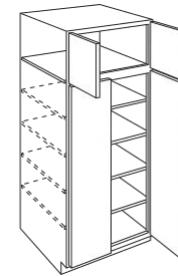
**SINGLE DOOR
TALL PANTRY
90" HIGH***



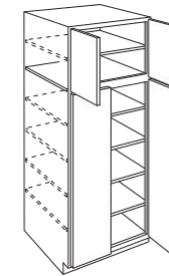
**SINGLE DOOR
TALL PANTRY
93" HIGH***



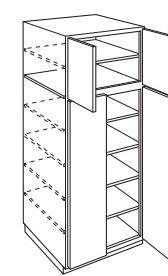
**SINGLE DOOR
TALL PANTRY
96" HIGH***



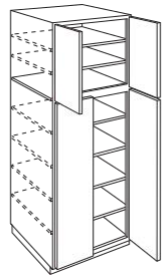
**DOUBLE DOOR
TALL PANTRY
84" HIGH**



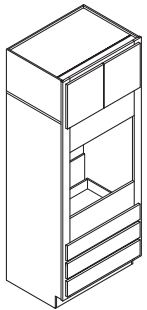
**DOUBLE DOOR
TALL PANTRY
90" HIGH**



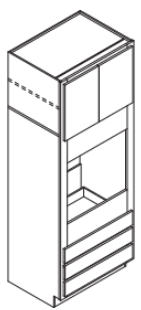
**DOUBLE DOOR
TALL PANTRY
93" HIGH**



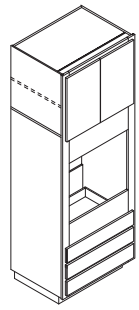
**DOUBLE DOOR
TALL PANTRY
96" HIGH**



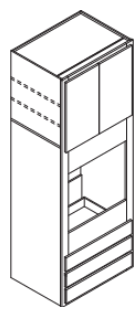
**SINGLE OVEN
3 DRAWERS
84" HIGH**



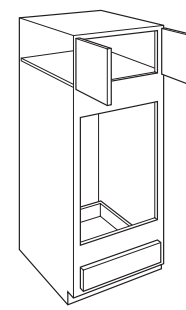
**SINGLE OVEN
3 DRAWERS
90" HIGH**



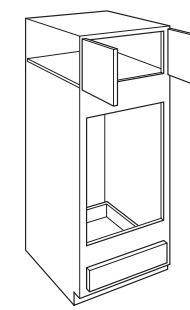
**SINGLE OVEN
3 DRAWERS
93" HIGH**



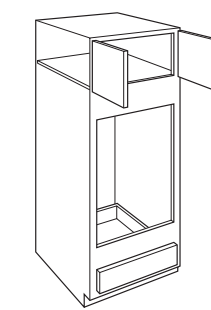
**SINGLE OVEN
3 DRAWERS
96" HIGH**



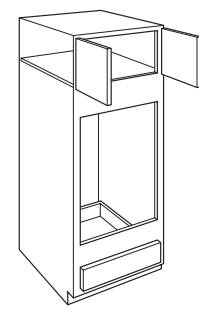
**DOUBLE OVEN
1 DRAWER
84" HIGH**



**DOUBLE OVEN
1 DRAWER
90" HIGH**



**DOUBLE OVEN
1 DRAWER
93" HIGH**



**DOUBLE OVEN
1 DRAWER
96" HIGH**

*Single door cabinets produced hinged right but may be flipped to be left hinged.

SINGLE DOOR
TALL PANTRY

DOUBLE DOOR
TALL PANTRY

SINGLE OVEN
3 DRAWERS

DOUBLE OVEN
CABINET

Why
Diamond One

How to
Order

Doors

Finishes

Construction

Mods &
Glass

Wall

Base

Tall

Vanity

Universal
Access

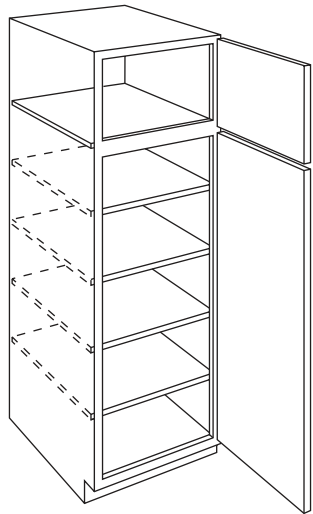
Moulding

Accessories

Service &
Policies

SINGLE DOOR TALL PANTRY

84" HEIGHT
24" DEPTH
12", 15", 18", 21" WIDE

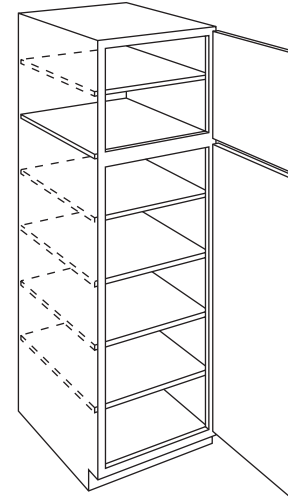


U128424R
U158424R
U188424R
U218424R

• Depth can be reduced to a minimum of 15".

SINGLE DOOR TALL PANTRY

90" HEIGHT
24" DEPTH
12", 15", 18", 21" WIDE



U129024R
U159024R
U189024R
U219024R

• Depth can be reduced to a minimum of 15".

**SINGLE DOOR
TALL PANTRY**

DOUBLE DOOR
TALL PANTRY

SINGLE OVEN
3 DRAWERS

DOUBLE OVEN
CABINET

Why
Diamond One

How to
Order

Doors

Finishes

Construction

Mods &
Glass

Wall

Base

Tall

Vanity

Universal
Access

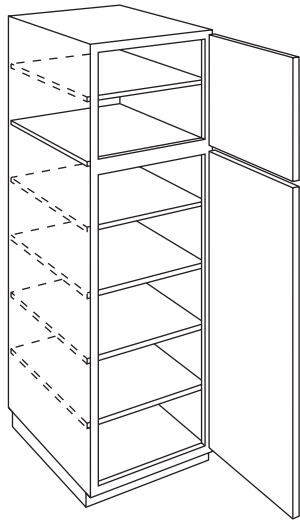
Moulding

Accessories

Service &
Policies

SINGLE DOOR TALL PANTRY

93" HEIGHT
24" DEPTH
12", 15", 18", 21" WIDE

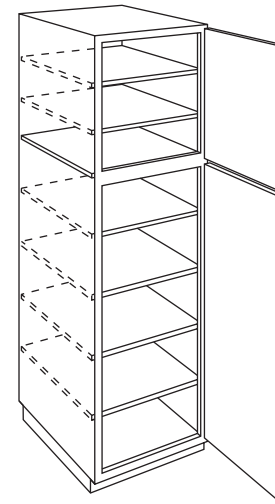


U129324R
U159324R
U189324R
U219324R

- Depth can be reduced to a minimum of 15".
- RECTKL, RECTKR modifications are not available.

SINGLE DOOR TALL PANTRY

96" HEIGHT
24" DEPTH
12", 15", 18", 21" WIDE



U129624R
U159624R
U189624R
U219624R

- Depth can be reduced to a minimum of 15".
- RECTKL, RECTKR modifications are not available.

**SINGLE DOOR
TALL PANTRY**

DOUBLE DOOR
TALL PANTRY

SINGLE OVEN
3 DRAWERS

DOUBLE OVEN
CABINET

Why
Diamond One

How to
Order

Doors

Finishes

Construction

Mods &
Glass

Wall

Base

Tall

Vanity

Universal
Access

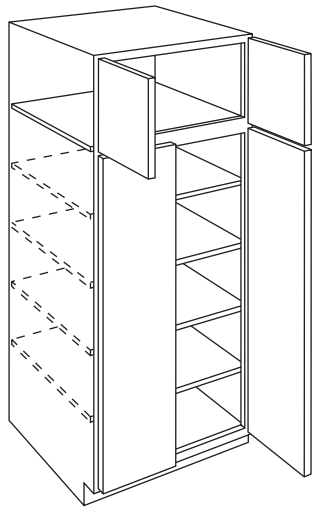
Moulding

Accessories

Service &
Policies

DOUBLE DOOR TALL PANTRY

84" HEIGHT
24" DEPTH
24", 27", 30", 33", 36" WIDE

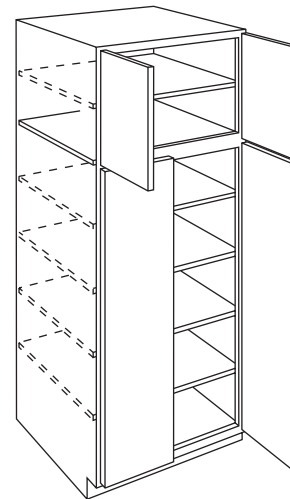


U248424
U278424
U308424
U338424
U368424

• Depth can be reduced to a minimum of 15".

DOUBLE DOOR TALL PANTRY

90" HEIGHT
24" DEPTH
24", 27", 30", 33", 36" WIDE



U249024
U279024
U309024
U339024
U369024

• Depth can be reduced to a minimum of 15".

SINGLE DOOR
TALL PANTRY

**DOUBLE DOOR
TALL PANTRY**

SINGLE OVEN
3 DRAWERS

DOUBLE OVEN
CABINET

Why
Diamond One

How to
Order

Doors

Finishes

Construction

Mods &
Glass

Wall

Base

Tall

Vanity

Universal
Access

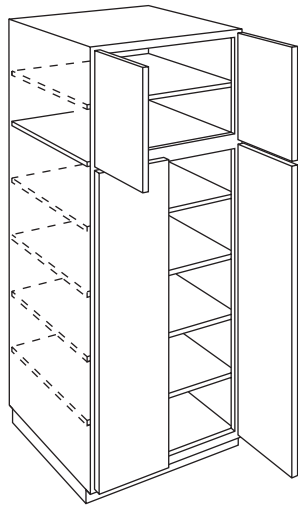
Moulding

Accessories

Service &
Policies

DOUBLE DOOR TALL PANTRY

93" HEIGHT
24" DEPTH
24", 27", 30", 33", 36" WIDE

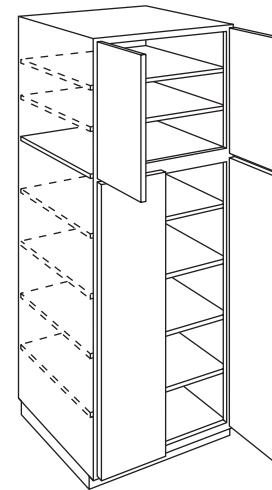


U249324
U279324
U309324
U339324
U369324

- Depth can be reduced to a minimum of 15".
- RECTKL, RECTKR modifications are not available.

DOUBLE DOOR TALL PANTRY

96" HEIGHT
24" DEPTH
24", 27", 30", 33", 36" WIDE



U249624
U279624
U309624
U339624
U369624

- Depth can be reduced to a minimum of 15".
- RECTKL, RECTKR modifications are not available.

SINGLE DOOR
TALL PANTRY

**DOUBLE DOOR
TALL PANTRY**

SINGLE OVEN
3 DRAWERS

DOUBLE OVEN
CABINET

Why
Diamond One

How to
Order

Doors

Finishes

Construction

Mods &
Glass

Wall

Base

Tall

Vanity

Universal
Access

Moulding

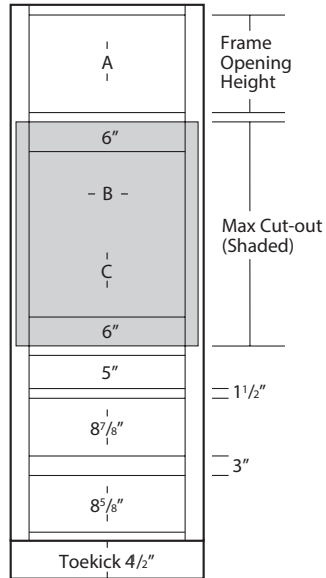
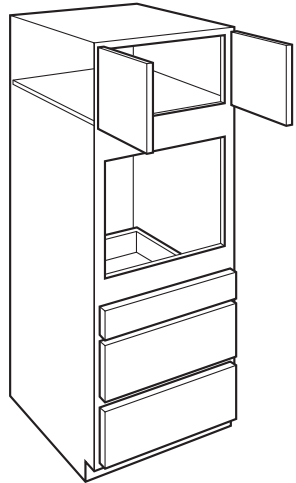
Accessories

Service &
Policies

	A Frame Opening Height	B Cut-out Width		C Cut-out Height		Door Height (Upper Section)	
		Min.	Max.	Min.	Max.	Partial Overlay	Full Overlay
OS3D338424	15"	27"	31 1/2"	22 1/2"	31 1/2"	16"	17 1/2"

SINGLE OVEN 3 DRAWERS

84" HEIGHT
24" DEPTH
33" WIDE



OS3D338424

- Uses face mount hinges, doors and drawer fronts have a consistent width reveal for full overlay (1/4") and partial overlay (1").
- Oven cavity is standard interior.
- For built-in double oven applications, remove drawer as needed.
- All top and bottom cross rails are 1 1/2" wide.
- All cabinets have 3" stiles on frame.
- Be sure to confirm a heat shield is built into your appliance by the manufacturer or install the heat shield included with your appliance. Heat shields are sold separately as an accessory.
- Support shelf for oven not included; for built-in appliance support brackets, use OCINSTALLKIT (included in 24" deep cabinets).
- OCINSTALLKIT weight limit is 400 lbs. per pair.
- Oven cabinets feature an open back in cut-out area designed to improve field appliance installation.
- Maximum cut-out dimension will allow 1/4" reveal for doors and drawer fronts on full overlay and 1" for partial overlay for trim kit face clearance.
- Oven cabinet cut-out is shaded in gray and is cut out on job site.

SINGLE DOOR
TALL PANTRY

DOUBLE DOOR
TALL PANTRY

**SINGLE OVEN
3 DRAWERS**

DOUBLE OVEN
CABINET

Why
Diamond One

How to
Order

Doors

Finishes

Construction

Mods &
Glass

Wall

Base

Tall

Vanity

Universal
Access

Moulding

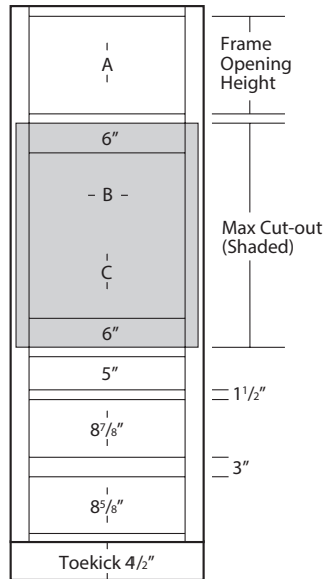
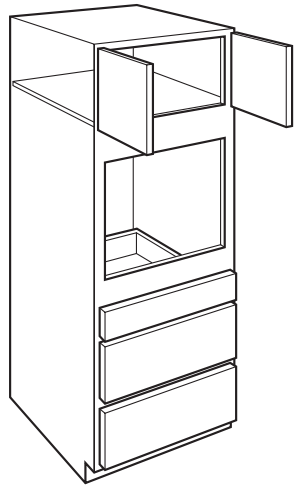
Accessories

Service &
Policies

	A Frame Opening Height	B Cut-out Width		C Cut-out Height		Door Height (Upper Section)	
		Min.	Max.	Min.	Max.	Partial Overlay	Full Overlay
OS3D339024	21"	27"	31 1/2"	22 1/2"	31 1/2"	22"	23 1/2"

SINGLE OVEN 3 DRAWERS

90" HEIGHT
24" DEPTH
33" WIDE



OS3D339024

- Uses face mount hinges, doors and drawer fronts have a consistent width reveal for full overlay (1/4") and partial overlay (1").
- Includes one full depth adjustable shelf in the upper section.
- Oven cavity is standard interior.
- For built-in double oven applications, remove drawer as needed.
- All top and bottom cross rails are 1 1/2" wide.
- All cabinets have 3" stiles on frame.
- Be sure to confirm a heat shield is built into your appliance by the manufacturer or install the heat shield included with your appliance. Heat shields are sold separately as an accessory.
- Support shelf for oven not included; for built-in appliance support brackets, use OCINSTALLKIT (included in 24" deep cabinets).
- OCINSTALLKIT weight limit is 400 lbs. per pair.
- Oven cabinets feature an open back in cut-out area designed to improve field appliance installation.
- Maximum cut-out dimension will allow 1/4" reveal for doors and drawer fronts on full overlay and 1" for partial overlay for trim kit face clearance.
- Oven cabinet cut-out is shaded in gray and is cut out on job site.

SINGLE DOOR
TALL PANTRY

DOUBLE DOOR
TALL PANTRY

**SINGLE OVEN
3 DRAWERS**

DOUBLE OVEN
CABINET

Why
Diamond One

How to
Order

Doors

Finishes

Construction

Mods &
Glass

Wall

Base

Tall

Vanity

Universal
Access

Moulding

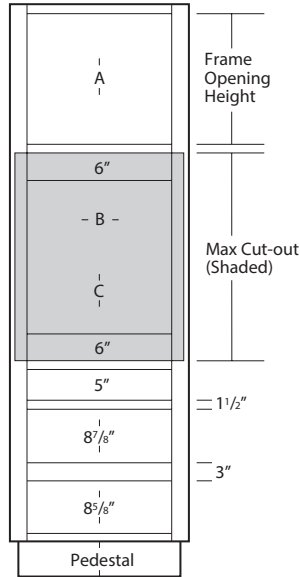
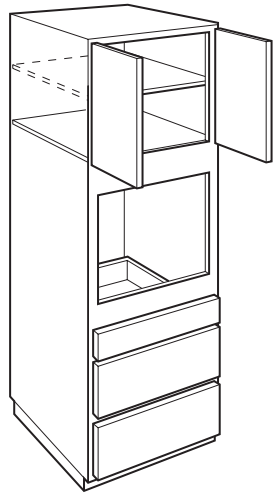
Accessories

Service &
Policies

	A Frame Opening Height	B Cut-out Width		C Cut-out Height		Door Height (Upper Section)	
		Min.	Max.	Min.	Max.	Partial Overlay	Full Overlay
OS3D339324	24"	27"	31 1/2"	22 1/2"	31 1/2"	25"	26 1/2"

SINGLE OVEN 3 DRAWERS

93" HEIGHT
24" DEPTH
33" WIDE



OS3D339324

- Uses face mount hinges, doors and drawer fronts have a consistent width reveal for full overlay (1/4") and partial overlay (1").
- Includes one full depth adjustable shelf in the upper section.
- Oven cavity is standard interior.
- For built-in double oven applications, remove drawer as needed.
- All top and bottom cross rails are 1 1/2" wide.
- All cabinets have 3" stiles on frame.
- Be sure to confirm a heat shield is built into your appliance by the manufacturer or install the heat shield included with your appliance. Heat shields are sold separately as an accessory.
- Support shelf for oven not included; for built-in appliance support brackets, use OCINSTALLKIT (included in 24" deep cabinets).
- OCINSTALLKIT weight limit is 400 lbs. per pair.
- Oven cabinets feature an open back in cut-out area designed to improve field appliance installation.
- Maximum cut-out dimension will allow 1/4" reveal for doors and drawer fronts on full overlay and 1" for partial overlay for trim kit face clearance.
- Oven cabinet cut-out is shaded in gray and is cut out on job site.
- RECTKL, RECTKR modifications are not available.

SINGLE DOOR
TALL PANTRY

DOUBLE DOOR
TALL PANTRY

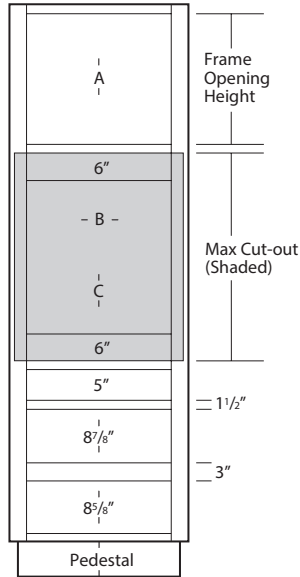
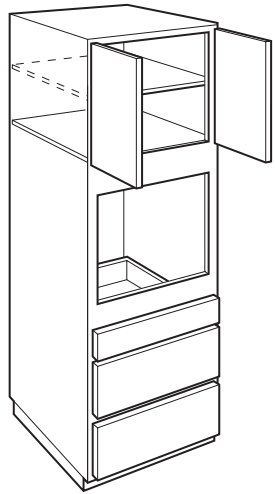
**SINGLE OVEN
3 DRAWERS**

DOUBLE OVEN
CABINET

	A Frame Opening Height	B Cut-out Width		C Cut-out Height		Door Height (Upper Section)	
		Min.	Max.	Min.	Max.	Partial Overlay	Full Overlay
OS3D339624	27"	27"	31 1/2"	22 1/2"	31 1/2"	28"	29 1/2"

SINGLE OVEN 3 DRAWERS

96" HEIGHT
24" DEPTH
33" WIDE



OS3D339624

- Uses face mount hinges, doors and drawer fronts have a consistent width reveal for full overlay (1/4") and partial overlay (1").
- Includes two full depth adjustable shelves in the upper section.
- Oven cavity is standard interior.
- For built-in double oven applications, remove drawer as needed.
- All top and bottom cross rails are 1 1/2" wide.
- All cabinets have 3" stiles on frame.
- Be sure to confirm a heat shield is built into your appliance by the manufacturer or install the heat shield included with your appliance. Heat shields are sold separately as an accessory.
- Support shelf for oven not included; for built-in appliance support brackets, use OCINSTALLKIT (included in 24" deep cabinets).
- OCINSTALLKIT weight limit is 400 lbs. per pair.
- Oven cabinets feature an open back in cut-out area designed to improve field appliance installation.
- Maximum cut-out dimension will allow 1/4" reveal for doors and drawer fronts on full overlay and 1" for partial overlay for trim kit face clearance.
- Oven cabinet cut-out is shaded in gray and is cut out on job site.
- RECTKL, RECTKR modifications are not available.

SINGLE DOOR
TALL PANTRY

DOUBLE DOOR
TALL PANTRY

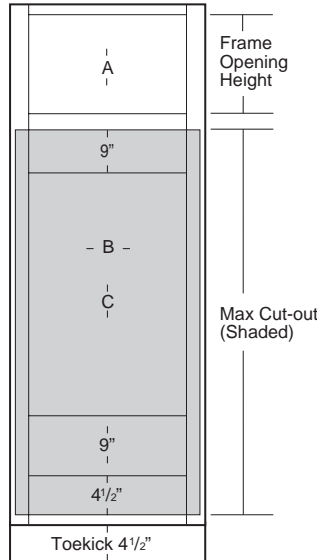
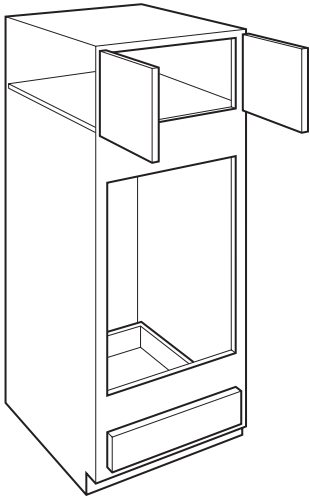
**SINGLE OVEN
3 DRAWERS**

DOUBLE OVEN
CABINET

	A Frame Opening Height	B Cut-out Width		C Cut-out Height			Door Height (Upper Section)	
		Min.	Max.	Min.	Max. Keeps Bottom Drawer	Max. Replaces Bottom Drawer	Partial Overlay	Full Overlay
OCD338424	15"	27"	31 1/2"	39"	54"	60"	16"	17 1/2"

DOUBLE OVEN 1 DRAWER

84" HEIGHT
24" DEPTH
33" WIDE



OCD338424

- Uses face mount hinges, doors and drawer fronts have a consistent width reveal for full overlay (1/4") and partial overlay (1").
- Oven cavity is standard interior.
- For built-in double oven applications, remove drawer as needed.
- All top and bottom cross rails are 1 1/2" wide.
- All cabinets have 3" stiles on frame.
- Be sure to confirm a heat shield is built into your appliance by the manufacturer or install the heat shield included with your appliance. Heat shields are sold separately as an accessory.
- Support shelf for oven not included; for built-in appliance support brackets, use OCINSTALLKIT (included in 24" deep cabinets).
- OCINSTALLKIT weight limit is 400 lbs. per pair.
- Depth can be reduced to a minimum of 18".
- Oven cabinets feature an open back in cut-out area designed to improve field appliance installation.
- Maximum w/ Drawer cut-out dimension will allow 1/4" reveal for doors and drawer fronts on full overlay and 1" for partial overlay for trim kit face clearance.
- If the maximum height (as shown in gray) is cut out, the drawer will no longer be included. See chart above for maximum cut-out allowed if you want to keep the drawer.

SINGLE DOOR
TALL PANTRY

DOUBLE DOOR
TALL PANTRY

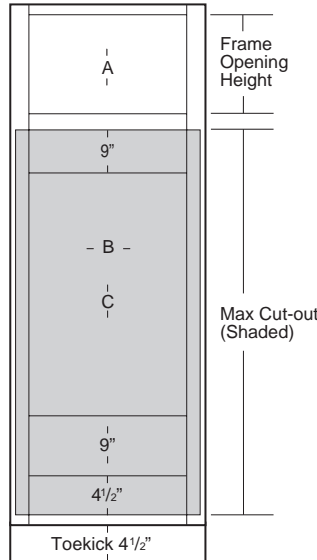
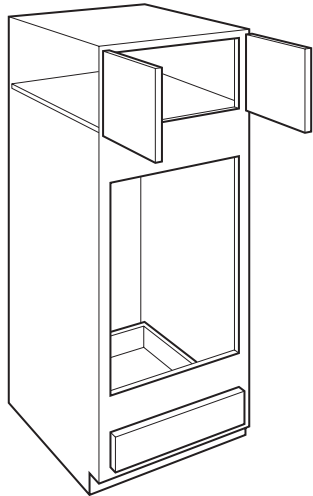
SINGLE OVEN
3 DRAWERS

**DOUBLE OVEN
CABINET**

	A Frame Opening Height	B Cut-out Width		C Cut-out Height			Door Height (Upper Section)	
		Min.	Max.	Min.	Max. Keeps Bottom Drawer	Max. Replaces Bottom Drawer	Partial Overlay	Full Overlay
OCD339024	21"	27"	31 1/2"	39"	54"	60"	22"	23 1/2"

DOUBLE OVEN 1 DRAWER

90" HEIGHT
24" DEPTH
33" WIDE



OCD339024

- Uses face mount hinges, doors and drawer fronts have a consistent width reveal for full overlay (1/4") and partial overlay (1").
- Includes one full depth adjustable shelf in the upper section.
- Oven cavity is standard interior.
- For built-in double oven applications, remove drawer as needed.
- All top and bottom cross rails are 1 1/2" wide.
- All cabinets have 3" stiles on frame.
- Be sure to confirm a heat shield is built into your appliance by the manufacturer or install the heat shield included with your appliance. Heat shields are sold separately as an accessory.
- Support shelf for oven not included; for built-in appliance support brackets, use OCINSTALLKIT (included in 24" deep cabinets).
- OCINSTALLKIT weight limit is 400 lbs. per pair.
- Depth can be reduced to a minimum of 18".
- Oven cabinets feature an open back in cut-out area designed to improve field appliance installation.
- Maximum w/ Drawer cut-out dimension will allow 1/4" reveal for doors and drawer fronts on full overlay and 1" for partial overlay for trim kit face clearance.
- If the maximum height (as shown in gray) is cut out, the drawer will no longer be included. See chart above for maximum cut-out allowed if you want to keep the drawer.

SINGLE DOOR
TALL PANTRY

DOUBLE DOOR
TALL PANTRY

SINGLE OVEN
3 DRAWERS

**DOUBLE OVEN
CABINET**

Why
Diamond One

How to
Order

Doors

Finishes

Construction

Mods &
Glass

Wall

Base

Tall

Vanity

Universal
Access

Moulding

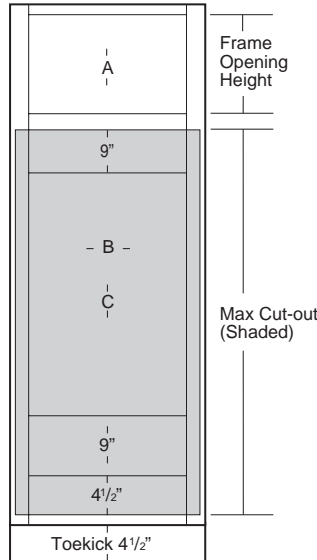
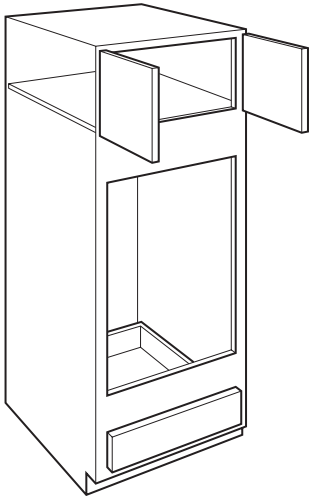
Accessories

Service &
Policies

	A Frame Opening Height	B Cut-out Width		C Cut-out Height			Door Height (Upper Section)	
		Min.	Max.	Min.	Max. Keeps Bottom Drawer	Max. Replaces Bottom Drawer	Partial Overlay	Full Overlay
OCD339324	24"	27"	31 1/2"	39"	54"	60"	25"	26 1/2"

DOUBLE OVEN 1 DRAWER

93" HEIGHT
24" DEPTH
33" WIDE



OCD339324

- Uses face mount hinges, doors and drawer fronts have a consistent width reveal for full overlay (1/4") and partial overlay (1").
- Includes one full depth adjustable shelf in the upper section.
- On 93" and 96" tall, toekick assembly shipped unattached.
- Oven cavity is standard interior.
- For built-in double oven applications, remove drawer as needed.
- All top and bottom cross rails are 1 1/2" wide.
- All cabinets have 3" stiles on frame.
- Be sure to confirm a heat shield is built into your appliance by the manufacturer or install the heat shield included with your appliance. Heat shields are sold separately as an accessory.
- Support shelf for oven not included; for built-in appliance support brackets, use OCINSTALLKIT (included in 24" deep cabinets).
- OCINSTALLKIT weight limit is 400 lbs. per pair.
- Depth can be reduced to a minimum of 18".
- Oven cabinets feature an open back in cut-out area designed to improve field appliance installation.
- Maximum w/ Drawer cut-out dimension will allow 1/4" reveal for doors and drawer fronts on full overlay and 1" for partial overlay for trim kit face clearance.
- If the maximum height (as shown in gray) is cut out, the drawer will no longer be included. See chart above for maximum cut-out allowed if you want to keep the drawer.
- RECTKL, RECTKR modifications are not available.

SINGLE DOOR
TALL PANTRY

DOUBLE DOOR
TALL PANTRY

SINGLE OVEN
3 DRAWERS

**DOUBLE OVEN
CABINET**

Why
Diamond One

How to
Order

Doors

Finishes

Construction

Mods &
Glass

Wall

Base

Tall

Vanity

Universal
Access

Moulding

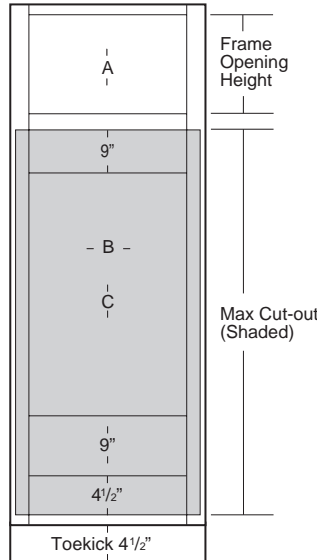
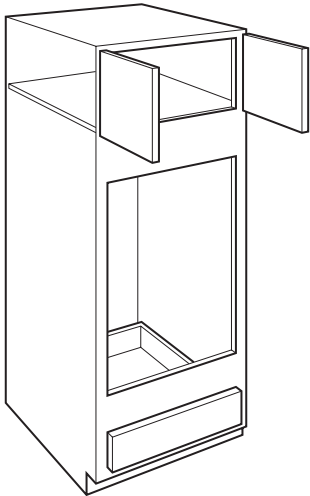
Accessories

Service &
Policies

	A Frame Opening Height	B Cut-out Width		C Cut-out Height			Door Height (Upper Section)	
		Min.	Max.	Min.	Max. Keeps Bottom Drawer	Max. Replaces Bottom Drawer	Partial Overlay	Full Overlay
OCD339624	27"	27"	31 1/2"	39"	54"	60"	28"	29 1/2"

DOUBLE OVEN 1 DRAWER

96" HEIGHT
24" DEPTH
33" WIDE



OCD339624

- Uses face mount hinges, doors and drawer fronts have a consistent width reveal for full overlay (1/4") and partial overlay (1").
- Includes two full depth adjustable shelves in the upper section.
- On 93" and 96" tall, toekick assembly shipped unattached.
- Oven cavity is standard interior.
- For built-in double oven applications, remove drawer as needed.
- All top and bottom cross rails are 1 1/2" wide.
- All cabinets have 3" stiles on frame.
- Be sure to confirm a heat shield is built into your appliance by the manufacturer or install the heat shield included with your appliance. Heat shields are sold separately as an accessory.
- Support shelf for oven not included; for built-in appliance support brackets, use OCINSTALLKIT (included in 24" deep cabinets).
- OCINSTALLKIT weight limit is 400 lbs. per pair.
- Depth can be reduced to a minimum of 18".
- Oven cabinets feature an open back in cut-out area designed to improve field appliance installation.
- Maximum w/ Drawer cut-out dimension will allow 1/4" reveal for doors and drawer fronts on full overlay and 1" for partial overlay for trim kit face clearance.
- If the maximum height (as shown in gray) is cut out, the drawer will no longer be included. See chart above for maximum cut-out allowed if you want to keep the drawer.
- RECTKL, RECTKR modifications are not available.

SINGLE DOOR
TALL PANTRY

DOUBLE DOOR
TALL PANTRY

SINGLE OVEN
3 DRAWERS

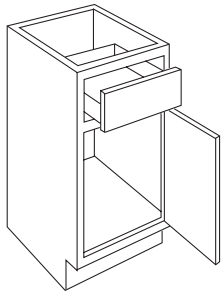
**DOUBLE OVEN
CABINET**

Mods Available on Vanity Cabinets*

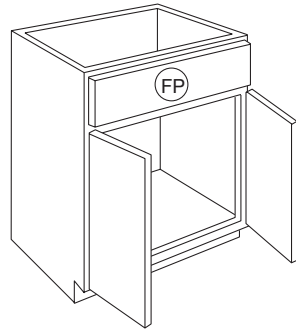
APC	CG	FPEB	ID	MD	MIP	P	RD	RECTK	FB
•		•	•		•		•	•	•

*See Exceptions Noted in SKU sections

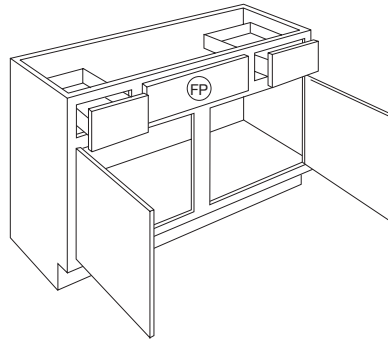
VANITY CABINETS



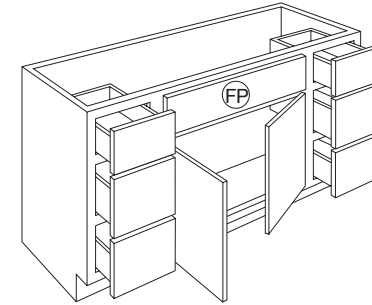
**VANITY BASE
SINGLE DOOR***



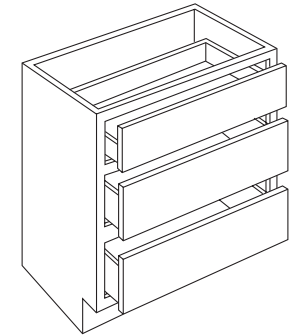
**DOUBLE DOOR
VANITY BASE**



**VANITY SINK
2 DRAWER BASE**



**VANITY SINK DRAWER
BASE W/6 DRAWERS**



VANITY DRAWER BASE

*Single door cabinets produced hinged right but may be flipped to be left hinged.

SINGLE DOOR
VANITY BASE

DOUBLE DOOR
VANITY BASE

VANITY SINK
2 DRAWER BASE

VANITY SINK
6 DRAWER BASE

VANITY DRAWER
BASE

Why
Diamond One

How to
Order

Doors

Finishes

Construction

Mods &
Glass

Wall

Base

Tall

Vanity

Universal
Access

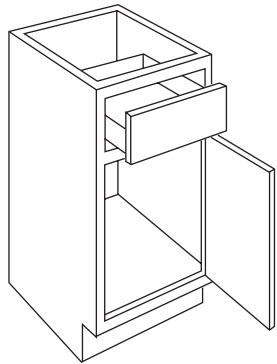
Moulding

Accessories

Service &
Policies

VANITY BASE, SINGLE DOOR WITH DRAWER

34 ½" HEIGHT
21" DEPTH
15", 18" WIDE



VB153421R
VB183421R

**SINGLE DOOR
VANITY BASE**

DOUBLE DOOR
VANITY BASE

VANITY SINK
2 DRAWER BASE

VANITY SINK
6 DRAWER BASE

VANITY DRAWER
BASE

Why
Diamond One

How to
Order

Doors

Finishes

Construction

Mods &
Glass

Wall

Base

Tall

Vanity

Universal
Access

Moulding

Accessories

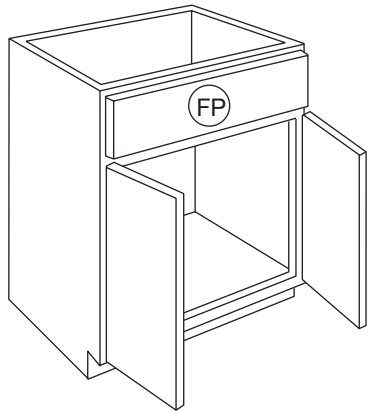
Service &
Policies

VANITY SINK BASE WITH FALSE PANEL

34 1/2" HEIGHT

21" DEPTH

24", 27", 30", 36" WIDE



VSB243421

VSB273421

VSB303421

VSB363421

SINGLE DOOR
VANITY BASE

**DOUBLE DOOR
VANITY BASE**

VANITY SINK
2 DRAWER BASE

VANITY SINK
6 DRAWER BASE

VANITY DRAWER
BASE

Why
Diamond One

How to
Order

Doors

Finishes

Construction

Mods &
Glass

Wall

Base

Tall

Vanity

Universal
Access

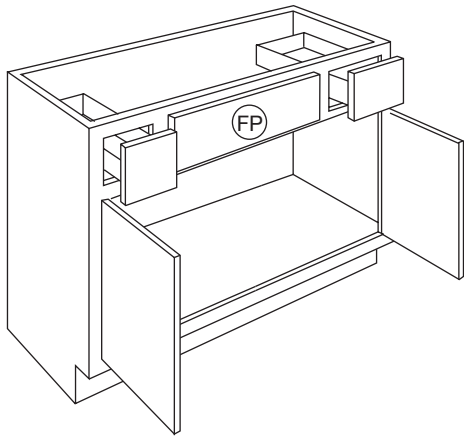
Moulding

Accessories

Service &
Policies

VANITY SINK DRAWER BASE

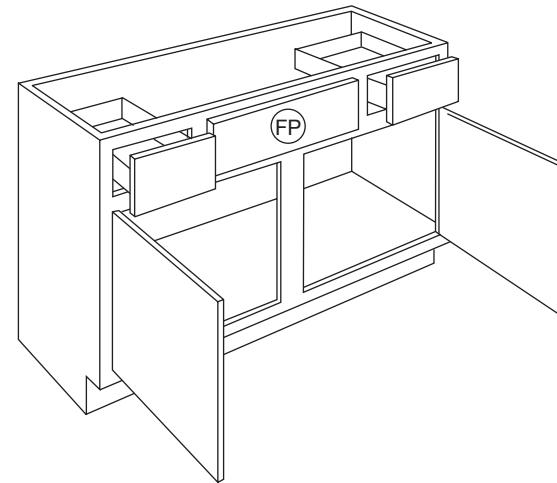
34 ½" HEIGHT
21" DEPTH
36" WIDE



2VSD363421

VANITY SINK DRAWER BASE

34 ½" HEIGHT
21" DEPTH
42", 48" WIDE



2VSD423421
2VSD483421CS

SINGLE DOOR
VANITY BASE

DOUBLE DOOR
VANITY BASE

VANITY SINK
2 DRAWER BASE

VANITY SINK
6 DRAWER BASE

VANITY DRAWER
BASE

Why
Diamond One

How to
Order

Doors

Finishes

Construction

Mods &
Glass

Wall

Base

Tall

Vanity

Universal
Access

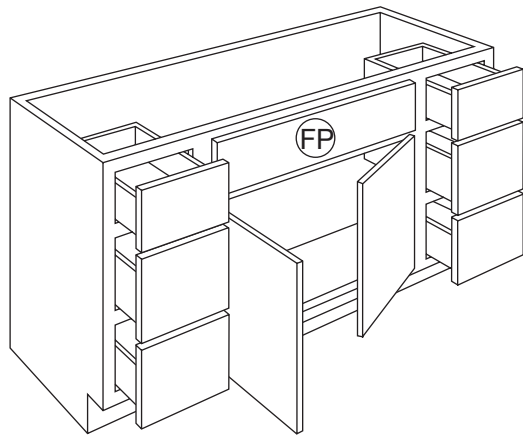
Moulding

Accessories

Service &
Policies

VANITY SINK DRAWER BASE WITH 6 DRAWERS AND FALSE PANEL

34 ½" HEIGHT
21" DEPTH
48", 60" WIDE



6VSD483421FP
6VSD603421FP

• MIP modification is not available.

SINGLE DOOR
VANITY BASE

DOUBLE DOOR
VANITY BASE

VANITY SINK
2 DRAWER BASE

**VANITY SINK
6 DRAWER BASE**

VANITY DRAWER
BASE

Why
Diamond One

How to
Order

Doors

Finishes

Construction

Mods &
Glass

Wall

Base

Tall

Vanity

Universal
Access

Moulding

Accessories

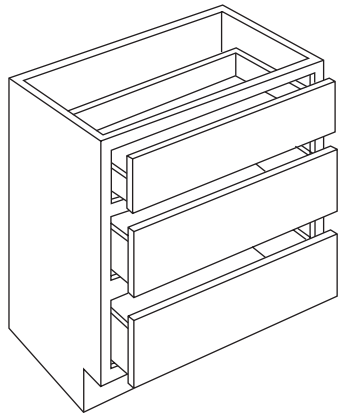
Service &
Policies

VANITY DRAWER BASE

34 ½" HEIGHT

21" DEPTH

12", 15", 18" WIDE



VDB123421
VDB153421
VDB183421

• MIP modification is not available.

SINGLE DOOR
VANITY BASE

DOUBLE DOOR
VANITY BASE

VANITY SINK
2 DRAWER BASE

VANITY SINK
6 DRAWER BASE

**VANITY DRAWER
BASE**

Why
Diamond One

How to
Order

Doors

Finishes

Construction

Mods &
Glass

Wall

Base

Tall

Vanity

Universal
Access

Moulding

Accessories

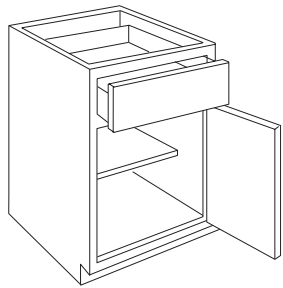
Service &
Policies

Mods Available on Universal Access Cabinets*

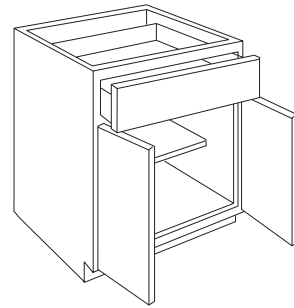
APC	CG	FPEB	ID	MD	MIP	P	RD	RECTK	FB
•		•			•		•		•

*See Exceptions Noted in SKU sections

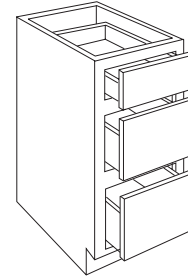
UNIVERSAL ACCESS CABINETS



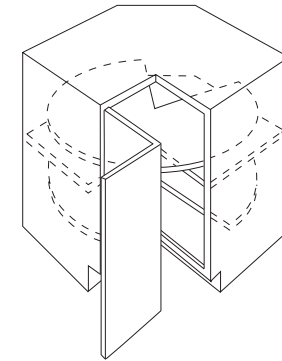
SINGLE DOOR BASE*



DOUBLE DOOR BASE



3 DRAWER BASE



UNIVERSAL SUPER LAZY SUSAN

*Single door cabinets produced hinged right but may be flipped to be left hinged.

SINGLE DOOR
BASE

DOUBLE DOOR
BASE

3 DRAWER BASE

UNIVERSAL SUPER
LAZY SUSAN

Why
Diamond One

How to
Order

Doors

Finishes

Construction

Mods &
Glass

Wall

Base

Tall

Vanity

Universal
Access

Moulding

Accessories

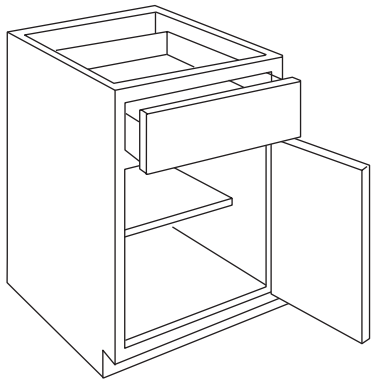
Service &
Policies

UNIVERSAL ACCESS BASE SINGLE DOOR

32 ½" HEIGHT

24" DEPTH

12", 15", 18", 21" WIDE



B1232.5R
B1532.5R
B1832.5R
B2132.5R

• Adjustable 15" deep shelf.

**SINGLE DOOR
BASE**

DOUBLE DOOR
BASE

3 DRAWER BASE

UNIVERSAL SUPER
LAZY SUSAN

Why
Diamond One

How to
Order

Doors

Finishes

Construction

Mods &
Glass

Wall

Base

Tall

Vanity

Universal
Access

Moulding

Accessories

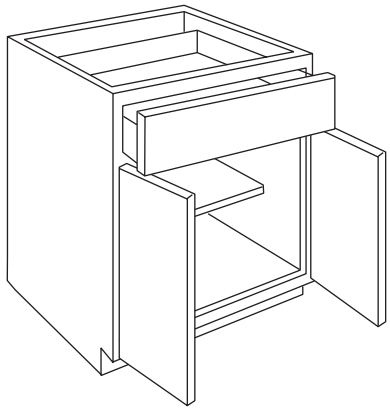
Service &
Policies

UNIVERSAL ACCESS BASE DOUBLE DOOR

32 1/2" HEIGHT

24" DEPTH

24", 30", 36" WIDE



B2432.5
B3032.5
B3632.5

- Adjustable 15" deep shelf.

SINGLE DOOR
BASE

**DOUBLE DOOR
BASE**

3 DRAWER BASE

UNIVERSAL SUPER
LAZY SUSAN

Why
Diamond One

How to
Order

Doors

Finishes

Construction

Mods &
Glass

Wall

Base

Tall

Vanity

Universal
Access

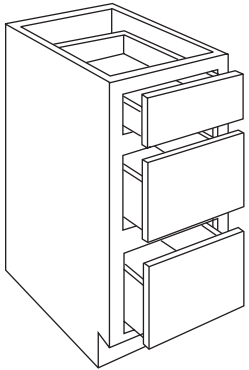
Moulding

Accessories

Service &
Policies

UNIVERSAL ACCESS 3 DRAWER BASE

32 1/2" HEIGHT
24" DEPTH
15", 18" WIDE



3DB1532.5
3DB1832.5

- 1 shallow and 2 deep drawers.
- MIP modification is not available.

SINGLE DOOR
BASE

DOUBLE DOOR
BASE

3 DRAWER BASE

UNIVERSAL SUPER
LAZY SUSAN

Why
Diamond One

How to
Order

Doors

Finishes

Construction

Mods &
Glass

Wall

Base

Tall

Vanity

Universal
Access

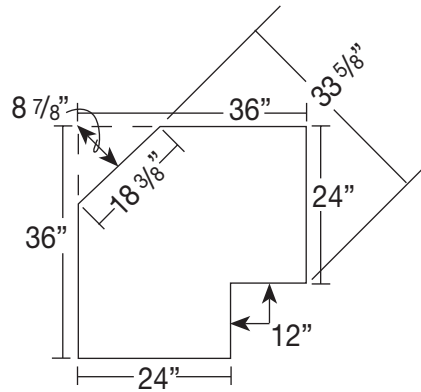
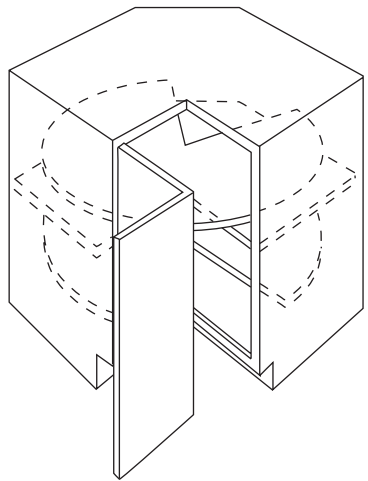
Moulding

Accessories

Service &
Policies

UNIVERSAL ACCESS SUPER LAZY SUSAN

32 1/2" HEIGHT
24" DEPTH
36" WIDE



SLS3632.5 L or R

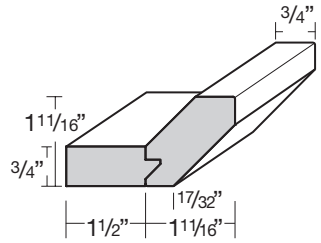
- SLS3632.5 L or R wall width is 36" x 36".
- Features two plywood revolving shelves with a 1" plywood lip. Lower shelf is mounted to floor. Upper shelf is mounted to fixed shelf. Fixed shelf is 1/2" thick laminated furniture board.
- Susan is 32" diameter.
- Decorative hardware screws must be countersunk to prevent scratching adjacent cabinets and face frame of SLS.
- Integrated soft-close hinge not included.
- MIP, RD modifications are not available.

SINGLE DOOR
BASE

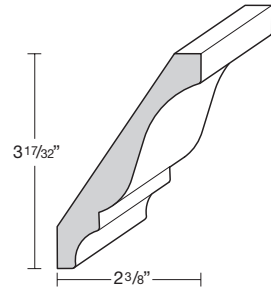
DOUBLE DOOR
BASE

3 DRAWER BASE

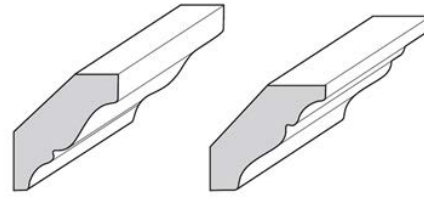
**UNIVERSAL SUPER
LAZY SUSAN**



STRAIGHT ANGLE CROWN MOULDING



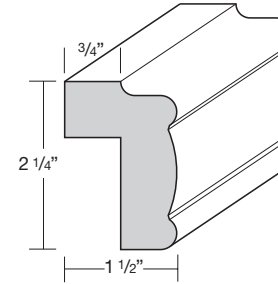
TALL CROWN MOULDING



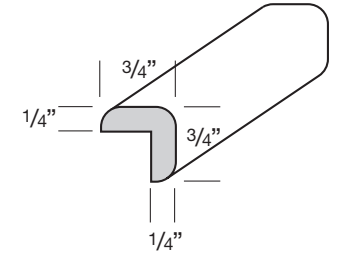
Standard

Inverted

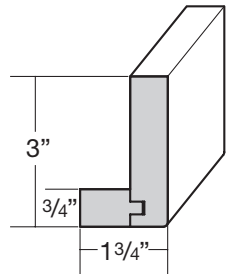
CROWN MOULDING



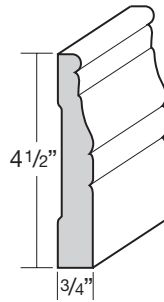
LIGHT RAIL



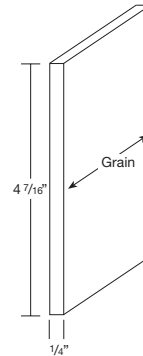
CORNER



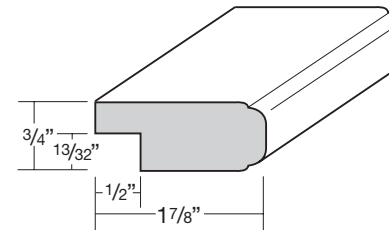
STARTER



BASEBOARD



TOEKICK



TRIM

- Modifications are not available.
- Painted will be used for TrueColor™.
- Mouldings specified as 8' nominal length have a usable length range of 93" up to 99". Be sure to order the correct amount of moulding length to work around required cuts with minimal butt joints.
- Finished edges indicated by bold lines on side view drawings.

CROWN

LIGHT RAIL

CORNER

STARTER

BASEBOARD

TOEKICK

TRIM

Why Diamond One

How to Order

Doors

Finishes

Construction

Mods & Glass

Wall

Base

Tall

Vanity

Universal Access

Moulding

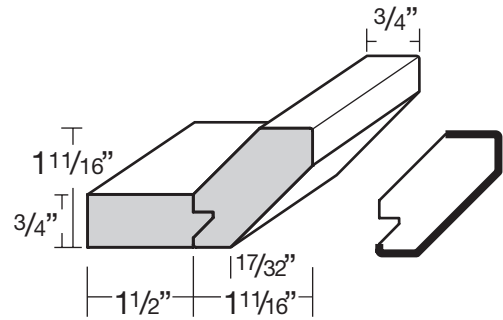
Accessories

Service & Policies

STRAIGHT ANGLE CROWN



SACROWN8

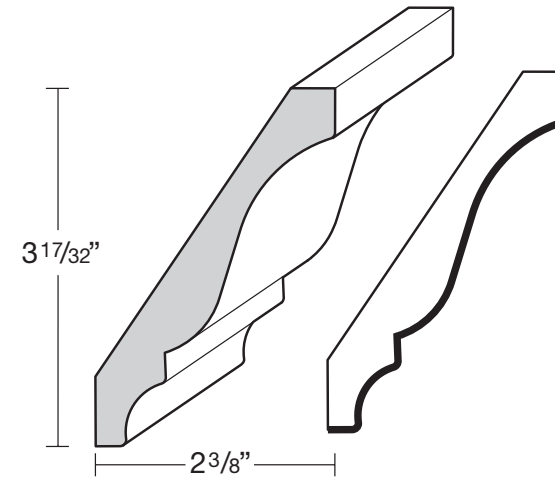


- One 8' section.
- Cleat shipped unattached can be used for top mount or face frame applications. For top mount applications on stained finishes, it is not recommended to pull the moulding forward with the cleat visible due to possible color variation with the face frame and moulding.
- Painted will be used for TrueColor™.

TALL CROWN



MTCROWN8



- One 8' section.
- Painted will be used for TrueColor™.

CROWN

LIGHT RAIL

CORNER

STARTER

BASEBOARD

TOEKICK

TRIM

Why Diamond One

How to Order

Doors

Finishes

Construction

Mods & Glass

Wall

Base

Tall

Vanity

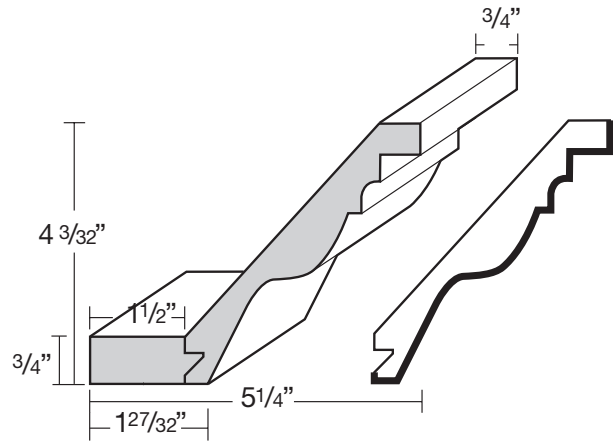
Universal Access

Moulding

Accessories

Service & Policies

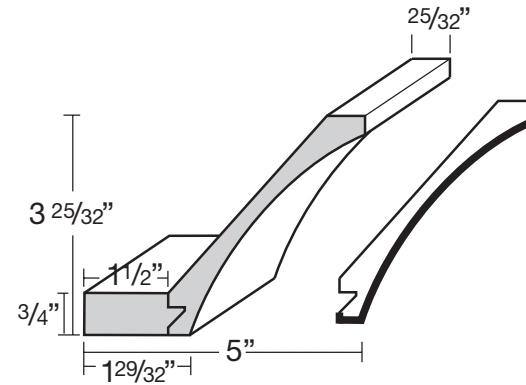
CLASSIC TALL CROWN



CLTCROWN8

- One 8' section
- Cleat shipped unattached can be used for top mount or face frame applications. For top mount applications on stained finishes, it is not recommended to pull the moulding forward with the cleat visible due to possible color variation with the face frame and moulding.
- Painted will be used for TrueColor™.

COVE CROWN



COVECROWN8

- One 8' section
- Cleat shipped unattached can be used for top mount or face frame applications. For top mount applications on stained finishes, it is not recommended to pull the moulding forward with the cleat visible due to possible color variation with the face frame and moulding.
- Painted will be used for TrueColor™.

CROWN

LIGHT RAIL

CORNER

STARTER

BASEBOARD

TOEKICK

TRIM

Why Diamond One

How to Order

Doors

Finishes

Construction

Mods & Glass

Wall

Base

Tall

Vanity

Universal Access

Moulding

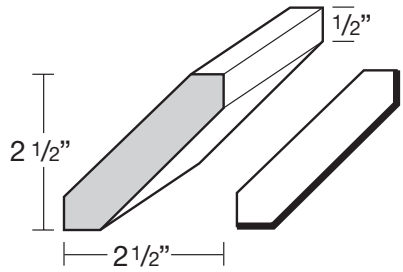
Accessories

Service & Policies

LARGE SHAKER CROWN



LSHAKER8

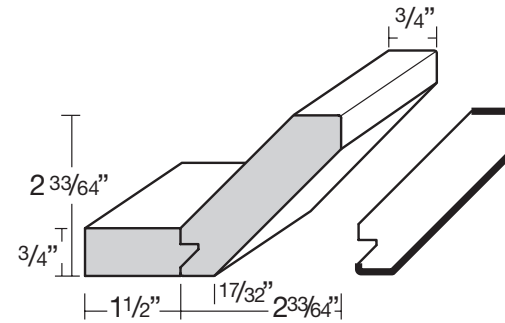


- One 8' section
- Painted will be used for TrueColor™.

MEDIUM STRAIGHT ANGLE CROWN



MSACROWN8



- One 8' section.
- Cleat shipped unattached can be used for top mount or face frame applications. For top mount applications on stained finishes, it is not recommended to pull the moulding forward with the cleat visible due to possible color variation with the face frame and moulding.
- Painted will be used for TrueColor™.

CROWN

LIGHT RAIL

CORNER

STARTER

BASEBOARD

TOEKICK

TRIM

Why Diamond One

How to Order

Doors

Finishes

Construction

Mods & Glass

Wall

Base

Tall

Vanity

Universal Access

Moulding

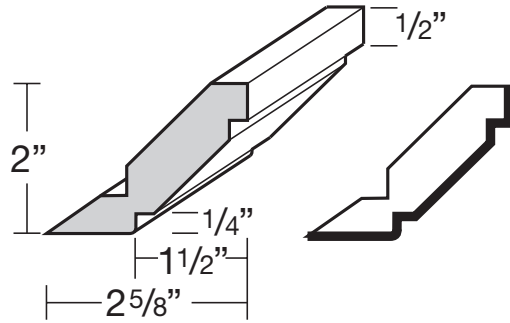
Accessories

Service & Policies

SHAKER CROWN



SHKRCRM8

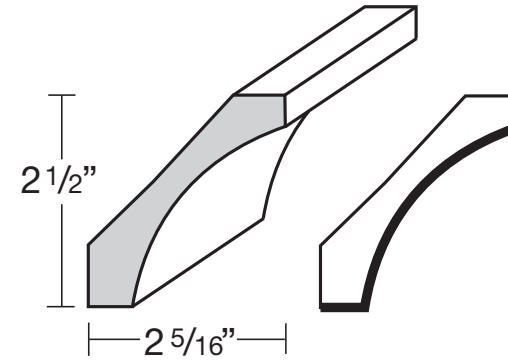


- Top mount moulding.
- One 8' section.
- Painted will be used for TrueColor™.

SMALL COVE CROWN



SMCOVECROWN8



- One 8' section.
- Painted will be used for TrueColor™.

CROWN

LIGHT RAIL

CORNER

STARTER

BASEBOARD

TOEKICK

TRIM

Why Diamond One

How to Order

Doors

Finishes

Construction

Mods & Glass

Wall

Base

Tall

Vanity

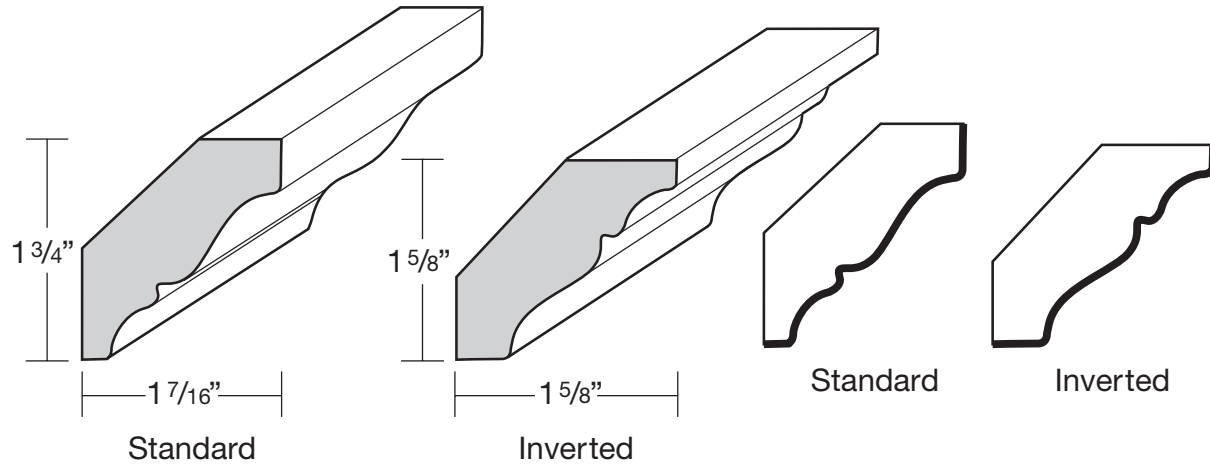
Universal Access

Moulding

Accessories

Service & Policies

SOLID-WOOD CROWN



SWCRM8

- Face mounts on Partial Overlay doors. May be face mounted on Full Overlay if used with a cleat.
- One 8' section.
- Moulding can be used as standard or inverted.
- Painted will be used for TrueColor™.

CROWN

LIGHT RAIL

CORNER

STARTER

BASEBOARD

TOEKICK

TRIM

Why Diamond One

How to Order

Doors

Finishes

Construction

Mods & Glass

Wall

Base

Tall

Vanity

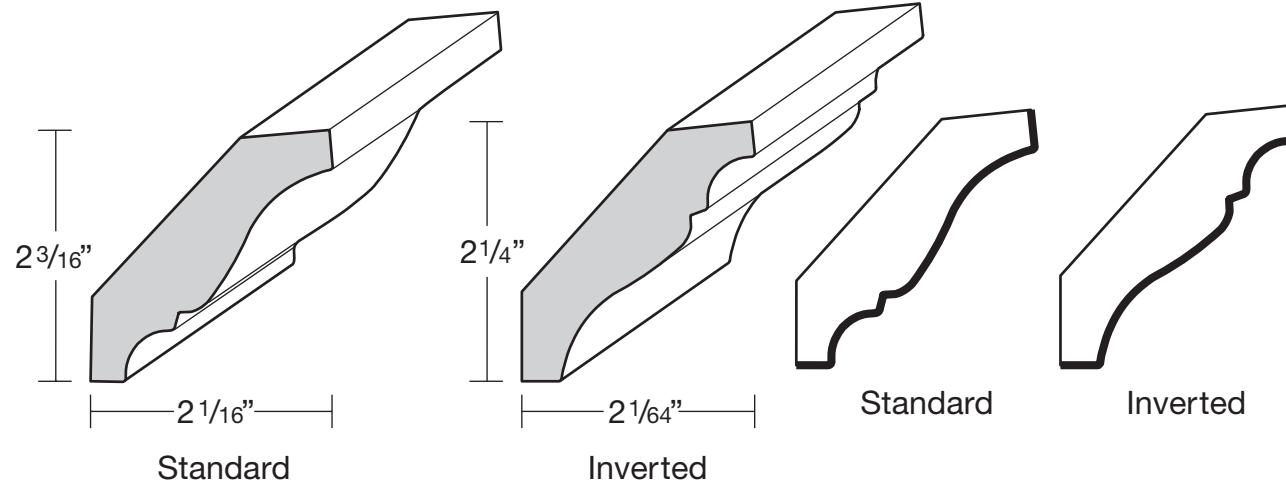
Universal Access

Moulding

Accessories

Service & Policies

SOLID-WOOD LARGE CROWN



SWLCRM8

- Face mounts on Partial Overlay doors. May be face mounted on Full Overlay if used with a cleat.
- One 8' section.
- Moulding can be used as standard or inverted.
- Painted will be used for TrueColor™.

CROWN

LIGHT RAIL

CORNER

STARTER

BASEBOARD

TOEKICK

TRIM

Why
Diamond One

How to
Order

Doors

Finishes

Construction

Mods &
Glass

Wall

Base

Tall

Vanity

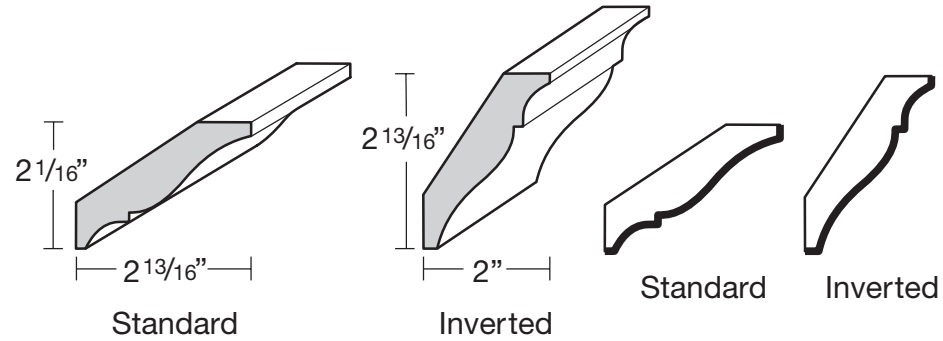
Universal
Access

Moulding

Accessories

Service &
Policies

SOLID-WOOD TALL CROWN



SWTCRM8

- Face mounts on Partial Overlay doors. May be face mounted on Full Overlay if used with a cleat.
- One 8' section.
- Moulding can be used as standard or inverted.
- Painted will be used for TrueColor™.

CROWN

LIGHT RAIL

CORNER

STARTER

BASEBOARD

TOEKICK

TRIM

Why
Diamond One

How to
Order

Doors

Finishes

Construction

Mods &
Glass

Wall

Base

Tall

Vanity

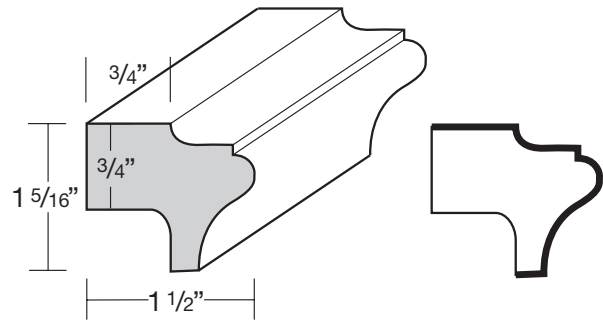
Universal
Access

Moulding

Accessories

Service &
Policies

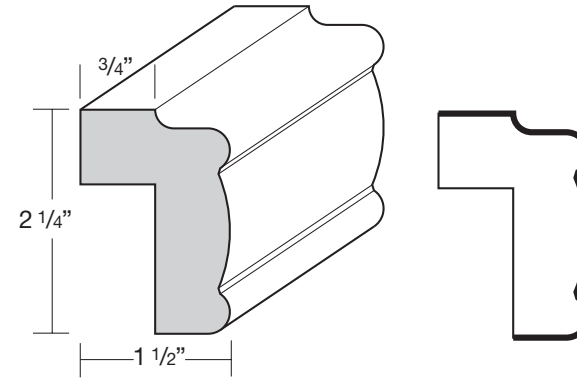
SMALL LIGHT RAIL MOULDING



SMLR

- One 8' section.
- Painted will be used for TrueColor™.

LIGHT RAIL MOULDING



LRM

- One 8' section.
- Painted will be used for TrueColor™.

CROWN

LIGHT RAIL

CORNER

STARTER

BASEBOARD

TOEKICK

TRIM

Why Diamond One

How to Order

Doors

Finishes

Construction

Mods & Glass

Wall

Base

Tall

Vanity

Universal Access

Moulding

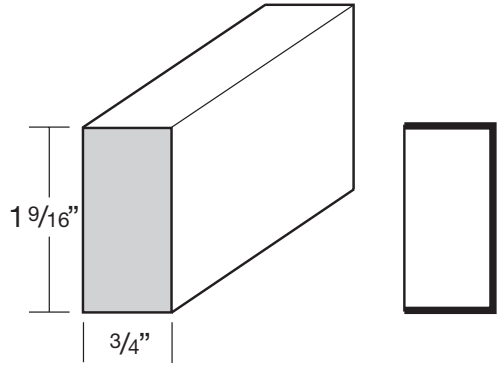
Accessories

Service & Policies

LIGHT BAFFLE



LB2



- One 8' section.
- Painted will be used for TrueColor™.

CROWN

LIGHT RAIL

CORNER

STARTER

BASEBOARD

TOEKICK

TRIM

Why Diamond One

How to Order

Doors

Finishes

Construction

Mods & Glass

Wall

Base

Tall

Vanity

Universal Access

Moulding

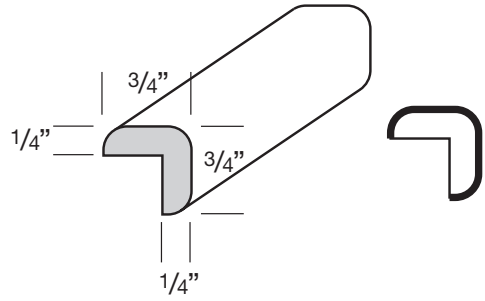
Accessories

Service & Policies

OUTSIDE CORNER



OCM8



- One 8' section.
- Painted will be used for TrueColor™.

CROWN

LIGHT RAIL

CORNER

STARTER

BASEBOARD

TOEKICK

TRIM

Why Diamond One

How to Order

Doors

Finishes

Construction

Mods & Glass

Wall

Base

Tall

Vanity

Universal Access

Moulding

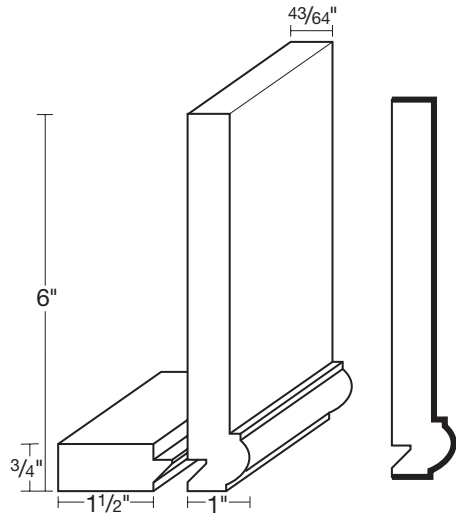
Accessories

Service & Policies

SOFFIT FILLER



SFM8

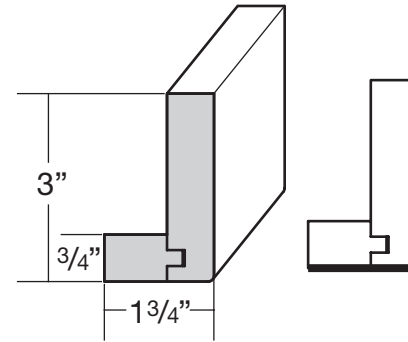


- One 8' section.
- Cleat shipped unattached, can be used for top mount or face frame applications. For top mount applications on stained finishes, it is not recommended to pull the moulding forward with the cleat visible due to possible color variation with the face frame and moulding.
- Painted will be used for TrueColor™.

STARTER MOULDING SHAKER



STRS8



- One 8' section.
- Attached cleat for top-mount application.
- Painted will be used for TrueColor™.

CROWN

LIGHT RAIL

CORNER

STARTER

BASEBOARD

TOEKICK

TRIM

Why Diamond One

How to Order

Doors

Finishes

Construction

Mods & Glass

Wall

Base

Tall

Vanity

Universal Access

Moulding

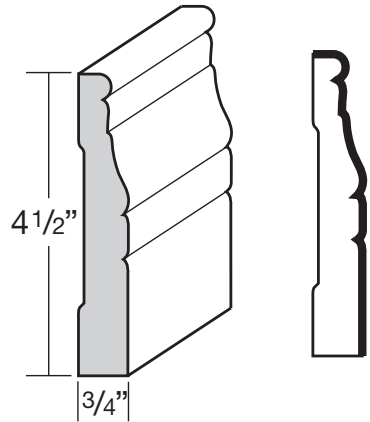
Accessories

Service & Policies

BASEBOARD



BBM8

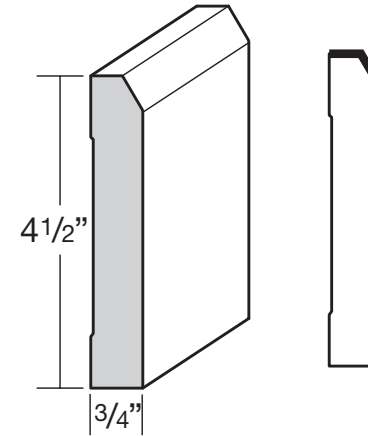


- One 8' section.
- BBM8 can be used in place of standard toekick.
- Painted will be used for TrueColor™.

BASEBOARD - SHAKER



BBMSH8



- One 8' section.
- Painted will be used for TrueColor™.

CROWN

LIGHT RAIL

CORNER

STARTER

BASEBOARD

TOEKICK

TRIM

Why
Diamond One

How to
Order

Doors

Finishes

Construction

Mods &
Glass

Wall

Base

Tall

Vanity

Universal
Access

Moulding

Accessories

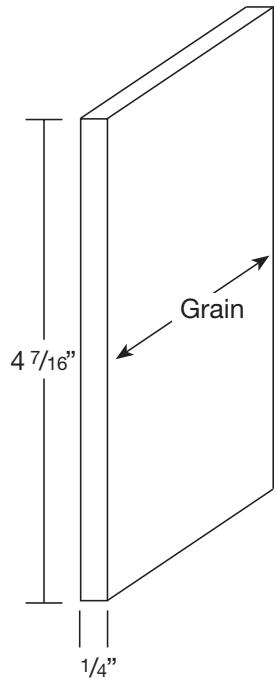
Service &
Policies

TOEBOARD



TB8LAM14

- TB8LAM14 is 1/4" laminated furniture board (White only).
- One 8' section.

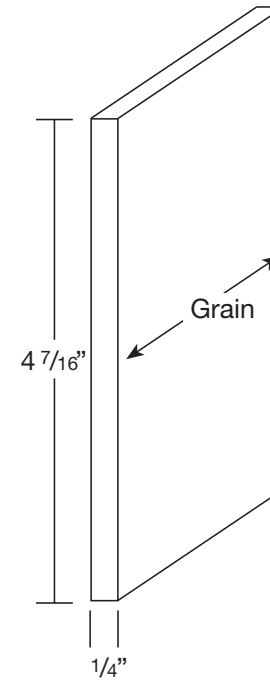


TOEBOARD



TB8WD14

- TB8WD14 in Stains: 1/4" thick veneered furniture board.
- TB8WD14 in Paints: 1/4" thick veneered or solid furniture board.
- One 8' section.
- Painted will be used for TrueColor™.



CROWN

LIGHT RAIL

CORNER

STARTER

BASEBOARD

TOEKICK

TRIM

Why Diamond One

How to Order

Doors

Finishes

Construction

Mods & Glass

Wall

Base

Tall

Vanity

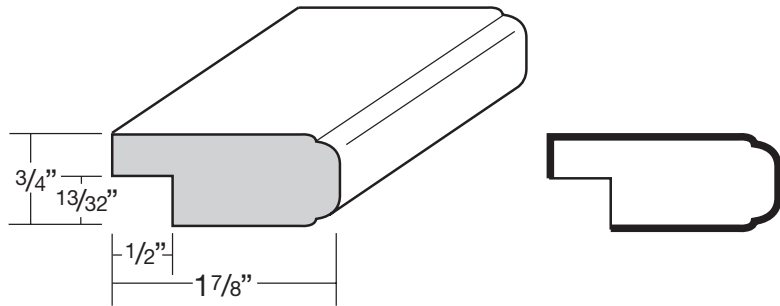
Universal Access

Moulding

Accessories

Service & Policies

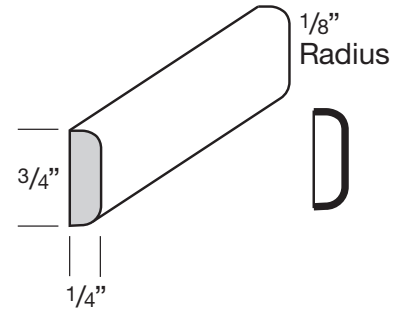
CABINET PANEL EDGE



CPE8

- One 8' section.
- Use CPE8 with 1/4" skin to create flush cabinet bottoms.
- Painted will be used for TrueColor™.

FLAT SCRIBE



SM8

- One 8' section.
- Painted will be used for TrueColor™.

CROWN

LIGHT RAIL

CORNER

STARTER

BASEBOARD

TOEKICK

TRIM

Why Diamond One

How to Order

Doors

Finishes

Construction

Mods & Glass

Wall

Base

Tall

Vanity

Universal Access

Moulding

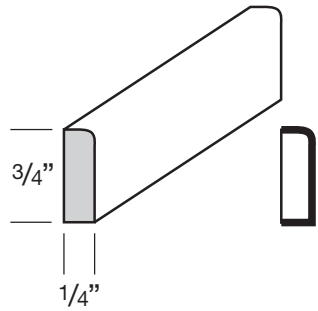
Accessories

Service & Policies

SMALL SCRIBE



SCRIBE8

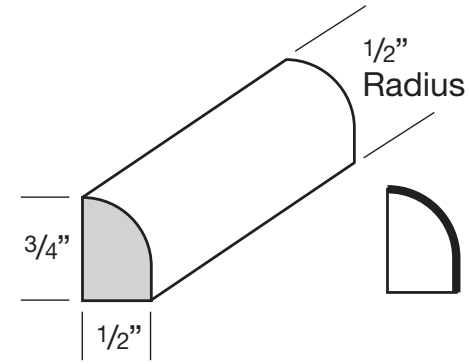


- One 8' section.
- Painted will be used for TrueColor™.

SHOE - CONVEX INSIDE CORNER



SHM8



- One 8' section.
- Painted will be used for TrueColor™.

CROWN

LIGHT RAIL

CORNER

STARTER

BASEBOARD

TOEKICK

TRIM

Why
Diamond One

How to
Order

Doors

Finishes

Construction

Mods &
Glass

Wall

Base

Tall

Vanity

Universal
Access

Moulding

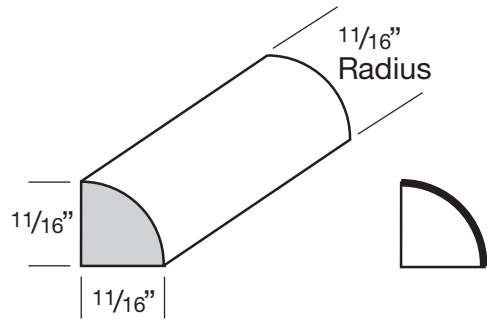
Accessories

Service &
Policies

QUARTER ROUND



QRM



- One 8' section.
- Painted will be used for TrueColor™.

CROWN

LIGHT RAIL

CORNER

STARTER

BASEBOARD

TOEKICK

TRIM

Why
Diamond One

How to
Order

Doors

Finishes

Construction

Mods &
Glass

Wall

Base

Tall

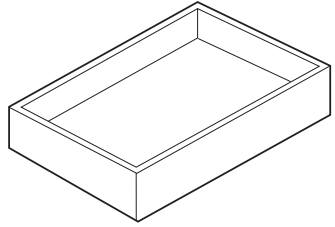
Vanity

Universal
Access

Moulding

Accessories

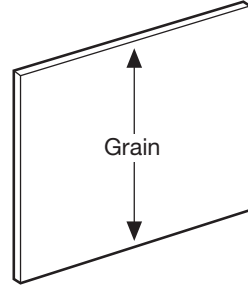
Service &
Policies



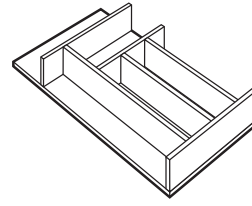
ROLL TRAY KITS



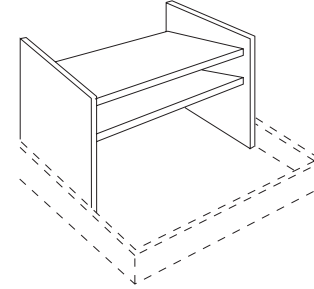
FILLERS



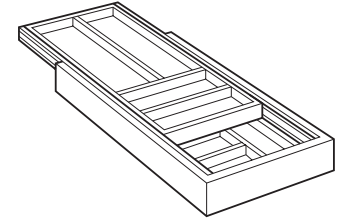
PANELS & SKIN



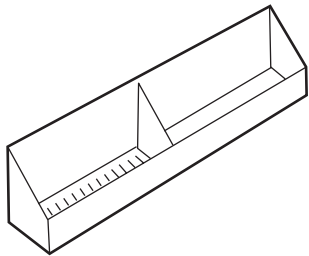
CUTLERY INSERT



BASE PAN STORAGE



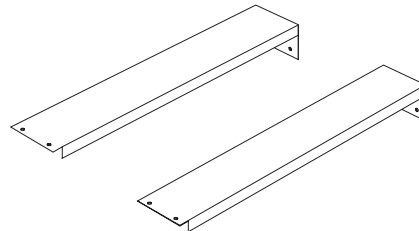
TIERED CUTLERY DIVIDER



TILT-OUT TRAY



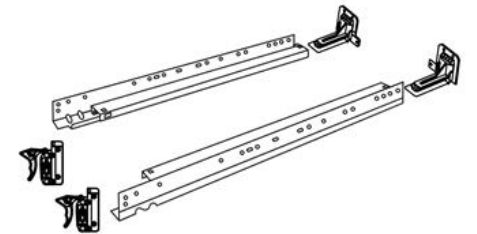
VALANCE



OVEN INSTALLATION KIT



HARDWARE



MISCELLANEOUS PARTS

ROLL TRAY KITS FILLERS PANELS & SKIN CUTLERY INSERT PAN STORAGE TIERED CUTLERY DIVIDER TILT OUT TRAY VALANCES OVEN INSTALLATION KIT HARDWARE MISCELLANEOUS PARTS

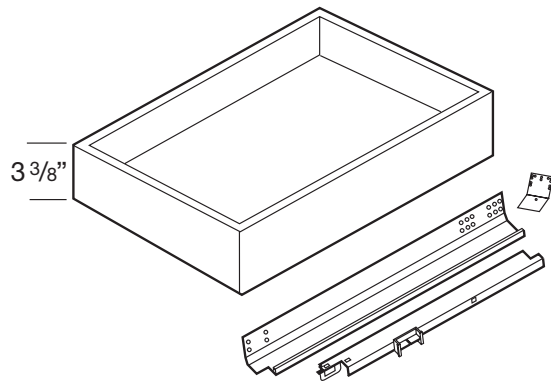
ROLL TRAY KITS



3 3/8" HEIGHT

24" DEPTH

12", 15", 18", 21", 24", 27", 30", 33", 36", 39" WIDE



RT12SC
RT15SC
RT18SC
RT21SC
RT24SC
RT27SC
RT30SC
RT33SC
RT36SC
RT39SC

- RT__SC include roll tray, roll tray brackets, hardware, screws, and installation instructions.
- Exterior dimensions of roll tray are 21" deep x 3 3/8" tall (fits standard 24" deep cabinet).
- All kits will contain 1 roll tray.
- RT__SC guides have soft-close feature.
- For RT__SC, Reduced Depth available to 12".

ROLL TRAY KITS

FILLERS

PANELS & SKIN

CUTLERY INSERT

PAN STORAGE

TIERED CUTLERY DIVIDER

TILT OUT TRAY

VALANCES

OVEN INSTALLATION KIT

HARDWARE

MISCELLANEOUS PARTS

Why Diamond One

How to Order

Doors

Finishes

Construction

Mods & Glass

Wall

Base

Tall

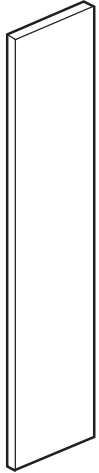
Vanity

Universal Access

Moulding

Accessories

Service & Policies



FILLER 30" TALL



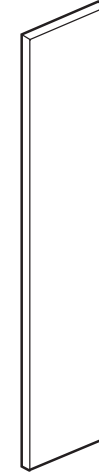
FILLER 36" TALL



FILLER 42" TALL



FILLER 84" TALL



FILLER 96" TALL

FILLER 30"
TALL

FILLER 36"
TALL

FILLER 42"
TALL

FILLER 84"
TALL

FILLER 96"
TALL

3" WIDE FILLER

30" HEIGHT
3/4" DEPTH
3" WIDE



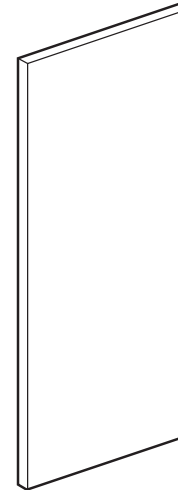
F330



- 3/4" thick.
- Finished on front and all edges (backs are not finished).
- Painted will be used for TrueColor™.

6" WIDE FILLER

30" HEIGHT
3/4" DEPTH
6" WIDE



F630



- 3/4" thick.
- Finished on front and all edges (backs are not finished).
- Painted will be used for TrueColor™.

FILLER 30"
TALL

FILLER 36"
TALL

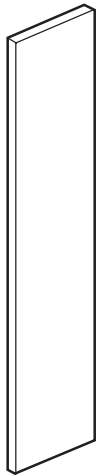
FILLER 42"
TALL

FILLER 84"
TALL

FILLER 96"
TALL

3" WIDE FILLER

36" HEIGHT
3/4" DEPTH
3" WIDE



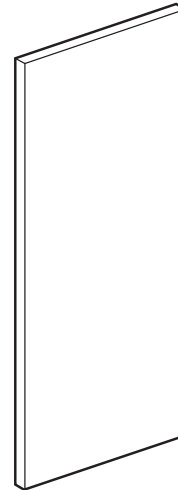
F336



- 3/4" thick.
- Finished on front and all edges (backs are not finished).
- Painted will be used for TrueColor™.

6" WIDE FILLER

36" HEIGHT
3/4" DEPTH
6" WIDE



F636



- 3/4" thick.
- Finished on front and all edges (backs are not finished).
- Painted will be used for TrueColor™.

FILLER 30"
TALL

**FILLER 36"
TALL**

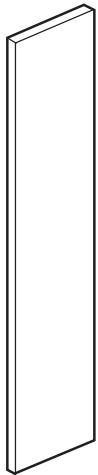
FILLER 42"
TALL

FILLER 84"
TALL

FILLER 96"
TALL

3" WIDE FILLER

42" HEIGHT
3/4" DEPTH
3" WIDE



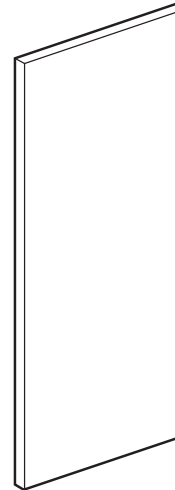
F342



- 3/4" thick.
- Finished on front and all edges (backs are not finished).
- Painted will be used for TrueColor™.

6" WIDE FILLER

42" HEIGHT
3/4" DEPTH
6" WIDE



F642



- 3/4" thick.
- Finished on front and all edges (backs are not finished).
- Painted will be used for TrueColor™.

FILLER 30"
TALL

FILLER 36"
TALL

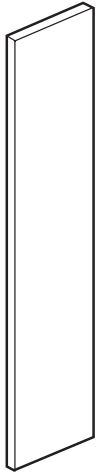
**FILLER 42"
TALL**

FILLER 84"
TALL

FILLER 96"
TALL

3" WIDE FILLER

84" HEIGHT
3/4" DEPTH
3" WIDE



TF384



- 3/4" thick.
- Finished on front and all edges (backs are not finished).
- Painted will be used for TrueColor™.

FILLER 30"
TALL

FILLER 36"
TALL

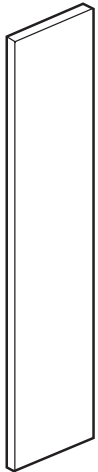
FILLER 42"
TALL

**FILLER 84"
TALL**

FILLER 96"
TALL

3" WIDE FILLER

96" HEIGHT
3/4" DEPTH
3" WIDE



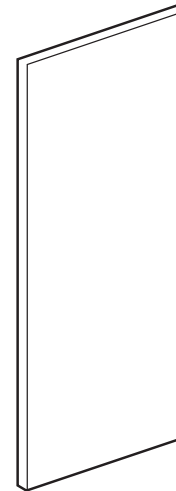
TF396FH



- 3/4" thick.
- Finished on front and all edges (backs are not finished).
- Painted will be used for TrueColor™.

6" WIDE FILLER

96" HEIGHT
3/4" DEPTH
6" WIDE



TF696FH



- 3/4" thick.
- Finished on front and all edges (backs are not finished).
- Painted will be used for TrueColor™.

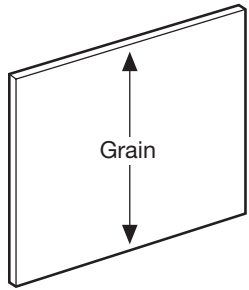
FILLER 30"
TALL

FILLER 36"
TALL

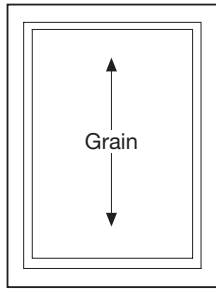
FILLER 42"
TALL

FILLER 84"
TALL

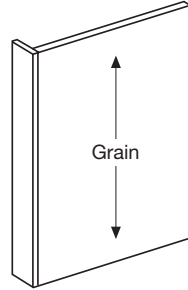
**FILLER 96"
TALL**



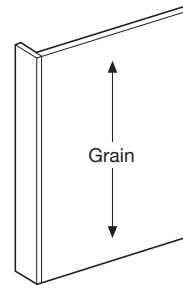
BACK PANEL



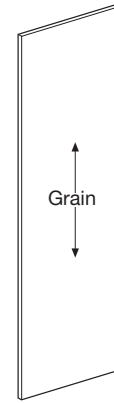
**BASE DECO
END PANEL**



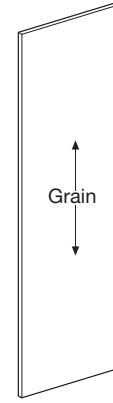
**PANEL WITH FILLER
ATTACHED &
FURNITURE END**



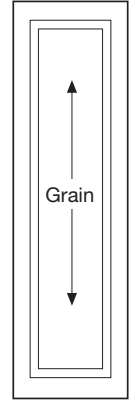
**PANEL WITH FILLER
ATTACHED**



END PANEL



TALL END PANEL



**WALL DECO
END PANEL**

BACK
PANEL

BASE DECO
END PANEL

PANEL WITH FILLER
ATTACHED & FURNITURE END

PANEL WITH
FILLER ATTACHED

END PANEL

TALL END
PANEL

WALL DECO
END PANEL

[Why
Diamond One](#)

[How to
Order](#)

[Doors](#)

[Finishes](#)

[Construction](#)

[Mods &
Glass](#)

[Wall](#)

[Base](#)

[Tall](#)

[Vanity](#)

[Universal
Access](#)

[Moulding](#)

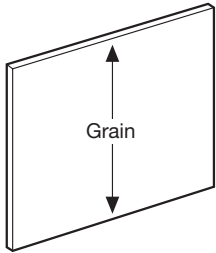
[Accessories](#)

[Service &
Policies](#)

FINISHED BACK SKIN



34 1/2" HEIGHT
1/4" DEPTH
48" WIDE

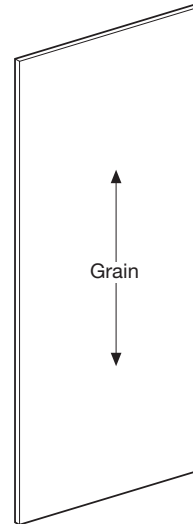


BP4834.5LAM14
BP4834.5WD

- BP__WD in Stains is 1/4" thick veneered furniture board.
- BP__WD in Paints is 1/4" thick veneered or solid furniture board.
- BP__LAM14 is 1/4" thick laminated furniture board. Available in white laminate only
- Painted will be used for TrueColor™ on BP4834.5WD.
- Modifications are not available.

FINISHED BACK SKIN

96" HEIGHT
1/4" DEPTH
48" WIDE



BP4896LAM14
BP4896WD

- BP__WD in Stains is 1/4" thick veneered furniture board.
- BP__WD in Paints is 1/4" thick veneered or solid furniture board.
- BP__LAM14 is 1/4" thick laminated furniture board. Available in white laminate only
- Painted will be used for TrueColor™ on BP4896WD.
- Modifications are not available.

BACK
PANEL

BASE DECO
END PANEL

PANEL WITH FILLER
ATTACHED & FURNITURE END

PANEL WITH
FILLER ATTACHED

END PANEL

TALL END
PANEL

WALL DECO
END PANEL

Why
Diamond One

How to
Order

Doors

Finishes

Construction

Mods &
Glass

Wall

Base

Tall

Vanity

Universal
Access

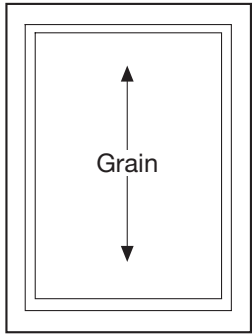
Moulding

Accessories

Service &
Policies

BASE DECORATIVE DOOR END PANEL KIT, SINGLE DOOR

34 1/2" HEIGHT
1/4" DEPTH
23 1/4" WIDE*



BEDSD

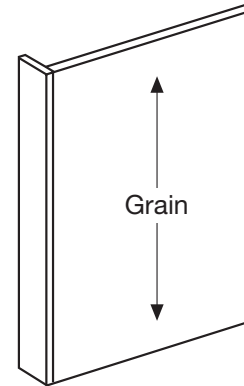


- Door panel kits include Base End Panel Skin, unattached door(s), and attachment screws. Field installation required.
- Custom door sizes not available.
- Modifications are not available.

*Width shown is panel width. For Full Overlay doors, total door width is 1/2" greater than panel width. When installed on the side of a cabinet as intended, the Full Overlay door will extend over the cabinet face frame edge. Partial Overlay doors have a 1" reveal, so they would not overlap the frame.

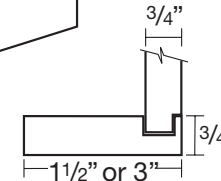
BASE PANEL WITH FILLER ATTACHED AND FURNITURE END

34 1/2" HEIGHT
1 1/2", 3" DEPTH
24" WIDE



BEPF1.5FPE BEPF3FPE

- 3/4" thick veneered plywood.
- All panels have Natural Maple laminate interior.
- ID, MIP, and RD modifications are available.
- Painted will be used for TrueColor™.



BACK
PANEL

BASE DECO
END PANEL

**PANEL WITH FILLER
ATTACHED & FURNITURE END**

PANEL WITH
FILLER ATTACHED

END PANEL

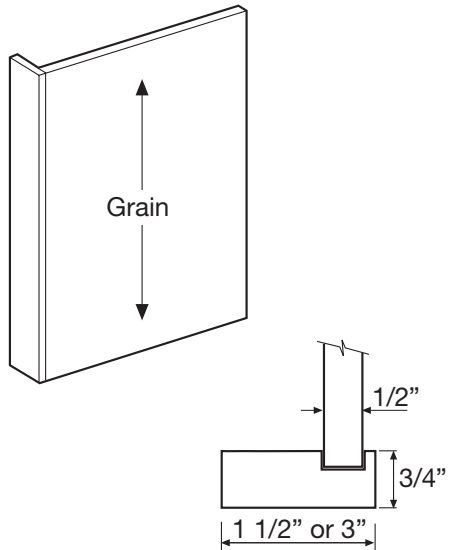
TALL END
PANEL

WALL DECO
END PANEL

BASE PANEL WITH FILLER ATTACHED



34 1/2" HEIGHT
1 1/2", 3" WIDE
24" DEPTH



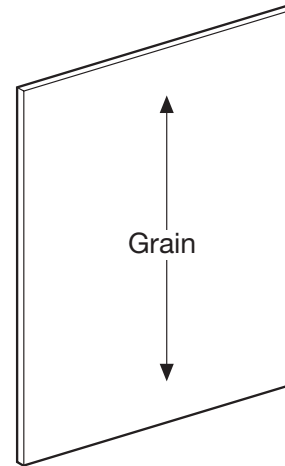
BEPF1.5LAM
BEPF1.5WD
BEPF3LAM
BEPF3WD

- BEPF_WD in Stains: 1/2" thick veneered plywood.
- BEPF_WD in Paints: 1/2" thick veneered or solid plywood.
- BEPF_LAM is 1/2" thick laminated furniture board.
- All panels have Natural Maple laminate interior
- Available with ID and RD modifications. WD panels are available with MIP modification also.
- Painted will be used for TrueColor™ on WD panels.

BASE END PANEL SKIN



34 1/2" HEIGHT
1/4" WIDE
23 1/4" DEPTH



BEPS34.5LAM14
BEPS34.5WD

- BEPS34.5WD in Stains: 1/4" thick veneered furniture board.
- BEPS34.5WD in Paints: 1/4" thick veneered or solid furniture board.
- BEPS34.5LAM14: 1/4" thick laminated furniture board. Available in white laminate only.
- Available with ID and RD modifications.
- Painted will be used for TrueColor™ on BEPS34.5WD.

BACK
PANEL

BASE DECO
END PANEL

PANEL WITH FILLER
ATTACHED & FURNITURE END

PANEL WITH
FILLER ATTACHED

END PANEL

TALL END
PANEL

WALL DECO
END PANEL

Why
Diamond One

How to
Order

Doors

Finishes

Construction

Mods &
Glass

Wall

Base

Tall

Vanity

Universal
Access

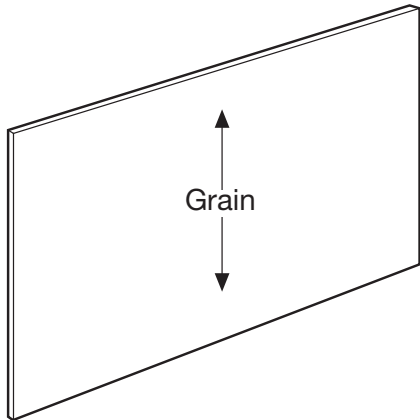
Moulding

Accessories

Service &
Policies

CROSS GRAIN VENEER BACK PANEL SKIN

34 1/2", 48" HEIGHT
1/4" WIDE
96" DEPTH

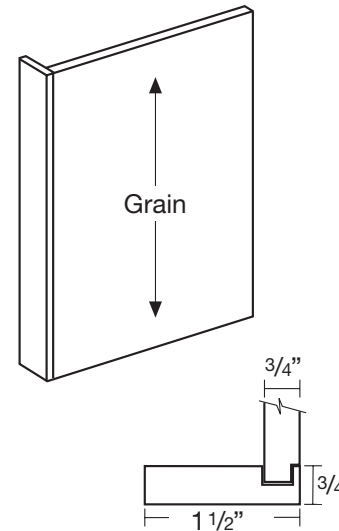


BP9634.5CRSGR
BP9648CRSGR

- Stains: 1/4" thick veneered furniture board.
- Paints: 1/4" thick veneered or solid furniture board.
- Painted will be used for TrueColor™.
- 5 day Express Response not available on items greater than 48".
- Modifications are not available.

TALL END PANEL WITH FILLER ATTACHED AND FURNITURE END

84", 90", 93", 96" HEIGHT
1 1/2" WIDE
24" DEPTH



TEP2484F1.5FPE
TEP2490F1.5FPE
TEP2493F1.5FPE
TEP2496F1.5FPE

- 3/4" thick veneered plywood.
- All panels have Natural Maple laminate interior.
- 5 day Express Response not available on items greater than 48".
- ID, MIP, and RD modifications are available.
- Painted will be used for TrueColor™.

BACK
PANEL

BASE DECO
END PANEL

PANEL WITH FILLER
ATTACHED & FURNITURE END

PANEL WITH
FILLER ATTACHED

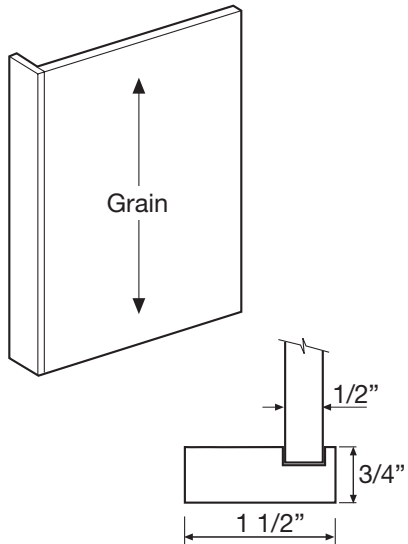
END PANEL

**TALL END
PANEL**

WALL DECO
END PANEL

TALL END PANEL WITH FILLER ATTACHED

84", 90", 93", 96" HEIGHT
 1 1/2" WIDE
 24" DEPTH

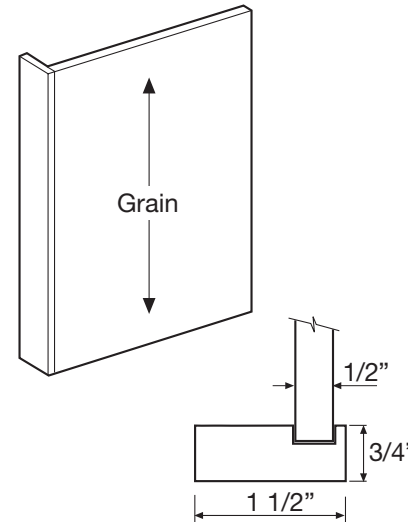


TEP2484F1.5LAM
TEP2490F1.5LAM
TEP2493F1.5LAM
TEP2496F1.5LAM

- TEP_ _F_LAM is 1/2" thick laminated furniture board.
- All panels have Natural Maple laminate interior.
- 5 day Express Response not available on items greater than 48".
- ID and RD modifications are available.

TALL END PANEL WITH FILLER ATTACHED

84", 90", 93", 96" HEIGHT
 1 1/2" WIDE
 24" DEPTH



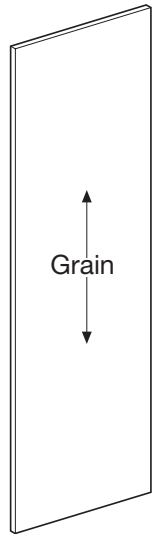
TEP2484F1.5WD
TEP2490F1.5WD
TEP2493F1.5WD
TEP2496F1.5WD

- TEP_ _F_WD in Stains: 1/2" thick veneered plywood.
- TEP_ _F_WD in Paints: 1/2" thick veneered or solid plywood.
- All panels have Natural Maple laminate interior.
- 5 day Express Response not available on items greater than 48".
- ID, MIP, and RD modifications are available.
- Painted will be used for TrueColor™.

BACK PANEL BASE DECO END PANEL PANEL WITH FILLER ATTACHED & FURNITURE END PANEL WITH FILLER ATTACHED END PANEL **TALL END PANEL** WALL DECO END PANEL

TALL END PANEL

84", 90", 93", 96" HEIGHT
 ¾" WIDE
 24" DEPTH

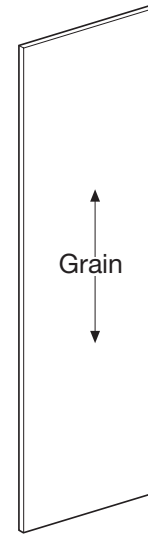


TEP2484LAM
TEP2490LAM
TEP2493LAM
TEP2496LAM

- TEP__LAM is 3/4" thick laminated furniture board. Available in white laminate only.
- Panels are finished on two sides and front edge.
- 5 day Express Response not available on items greater than 48".
- ID and RD modifications are available.

TALL END PANEL

84", 90", 93", 96" HEIGHT
 ¾" WIDE
 24" DEPTH



TEP2484WD
TEP2490WD
TEP2493WD
TEP2496WD

- TEP__WD in Stains: 3/4" thick veneered furniture board.
- TEP__WD in Paints: 3/4" thick veneered or solid furniture board.
- Panels are finished on two sides and front edge.
- 5 day Express Response not available on items greater than 48".
- APC, ID, and RD modifications are available.
- Painted will be used for TrueColor™.

BACK
PANEL

BASE DECO
END PANEL

PANEL WITH FILLER
ATTACHED & FURNITURE END

PANEL WITH
FILLER ATTACHED

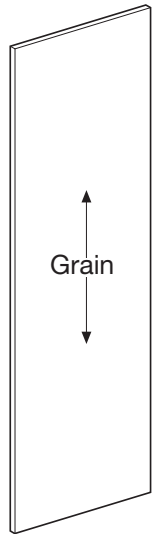
END PANEL

**TALL END
PANEL**

WALL DECO
END PANEL

TALL END PANEL

96" HEIGHT
3/4" WIDE
30" DEPTH

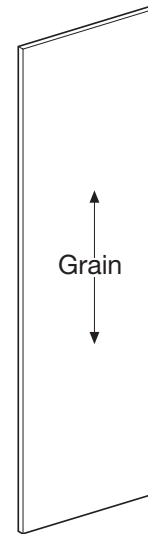


TEP3096LAM

- TEP__LAM is 3/4" thick laminated furniture board. Available in white laminate only.
- Panels are finished on two sides and front edge.
- 5 day Express Response not available on items greater than 48".
- RD modification is available.

TALL END PANEL

96" HEIGHT
3/4" WIDE
30" DEPTH



TEP3096WD

- TEP__WD in Stains: 3/4" thick veneered furniture board.
- TEP__WD in Paints: 3/4" thick veneered or solid furniture board.
- Panels are finished on two sides and front edge.
- 5 day Express Response not available on items greater than 48".
- APC and RD modifications are available.
- Painted will be used for TrueColor™.

BACK
PANEL

BASE DECO
END PANEL

PANEL WITH FILLER
ATTACHED & FURNITURE END

PANEL WITH
FILLER ATTACHED

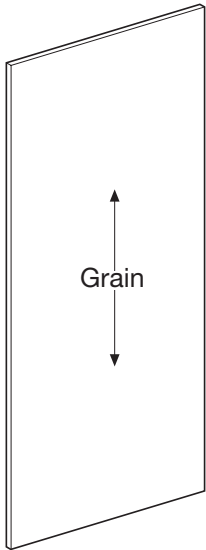
END PANEL

**TALL END
PANEL**

WALL DECO
END PANEL

TALL END PANEL SKIN

96" HEIGHT
3/4" WIDE
30" DEPTH

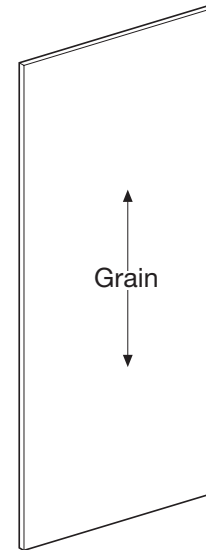


TEPS96LAM14

- TEPS_ _LAM14: 1/4" thick laminated furniture board. Available in white laminate only.
- 5 day Express Response not available on items greater than 48".
- ID and RD modifications are available.

TALL END PANEL SKIN

96" HEIGHT
3/4" WIDE
30" DEPTH



TEPS96WD

- TEPS_ _WD in Stains: 1/4" thick veneered furniture board.
- TEPS_ _WD in Paints: 1/4" thick veneered or solid furniture board.
- 5 day Express Response not available on items greater than 48".
- ID and RD modifications are available.
- Painted will be used for TrueColor™.

BACK
PANEL

BASE DECO
END PANEL

PANEL WITH FILLER
ATTACHED & FURNITURE END

PANEL WITH
FILLER ATTACHED

END PANEL

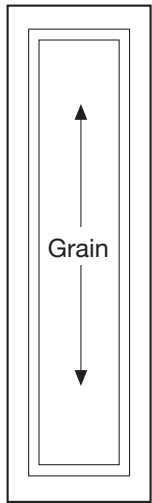
**TALL END
PANEL**

WALL DECO
END PANEL

WALL DECORATIVE DOOR END PANEL KIT



30", 36", 39", 42" HEIGHT
11 1/4" WIDE*

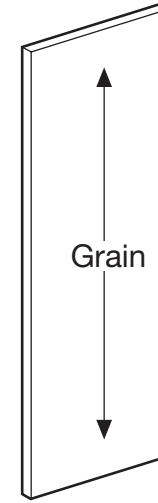


WED1230
WED1236
WED1239
WED1242

- Door panel kits include Wall End Panel Skin, unattached door(s), and attachment screws. Field installation required.
 - Custom door sizes not available.
 - Modifications are not available.
- *Width shown is panel width. For Full Overlay doors, total door width is 1/2" greater than panel width. When installed on the side of a cabinet as intended, the Full Overlay door will extend over the cabinet face frame edge. Partial Overlay doors have a 1" reveal, so they would not overlap the frame.

WALL END PANEL SKIN

42" HEIGHT
1/4" WIDE
11 1/4" DEPTH



WEPS42LAM14



- WEPS_ _LAM14: 1/4" thick laminated furniture board. Available in white laminate only.
- ID and RD modifications are available.

BACK
PANEL

BASE DECO
END PANEL

PANEL WITH FILLER
ATTACHED & FURNITURE END

PANEL WITH
FILLER ATTACHED

END PANEL

TALL END
PANEL

**WALL DECO
END PANEL**

Why
Diamond One

How to
Order

Doors

Finishes

Construction

Mods &
Glass

Wall

Base

Tall

Vanity

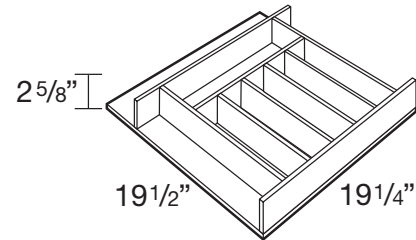
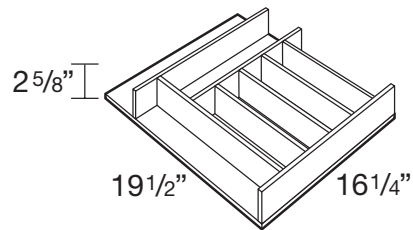
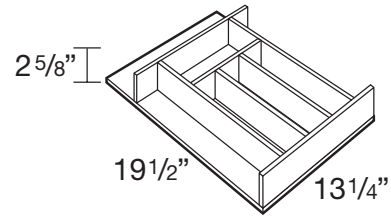
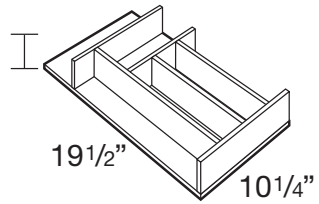
Universal
Access

Moulding

Accessories

Service &
Policies

CUTLERY INSERT WOOD ORGANIZER



CIW15
CIW18
CIW21
CIW24

Model

CIW15
CIW18
CIW21
CIW24

Application

15" Base
18" Base
21" Base
24" Base

- Pre-assembled natural wood drawer insert.
- Place a cabinet with a CIW next to the dishwasher for convenience.
- Modifications are not available.

ROLL TRAY
KITS

FILLERS

PANELS &
SKIN

**CUTLERY
INSERT**

PAN
STORAGE

TIERED CUTLERY
DIVIDER

TILT OUT
TRAY

VALANCES

OVEN
INSTALLATION KIT

HARDWARE

Why
Diamond One

How to
Order

Doors

Finishes

Construction

Mods &
Glass

Wall

Base

Tall

Vanity

Universal
Access

Moulding

Accessories

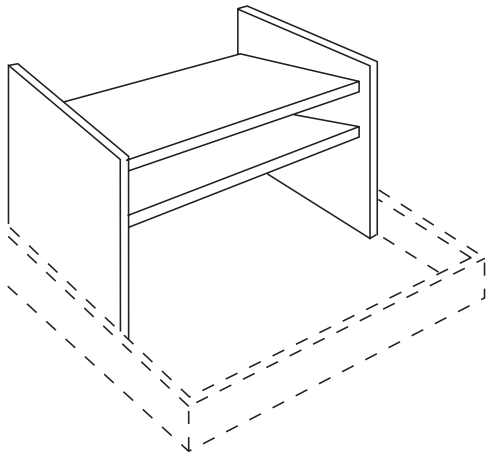
Service &
Policies

BASE PAN STORAGE

19" HEIGHT

10" DEPTH

18 1/8", 24 1/8", 30 1/8" WIDE



BPS24
BPS30
BPS36

Model

BPS24
BPS30
BPS36

Application

24" Base
30" Base
36" Base

- Modifications are not available.
- Roll tray not included.
- Insert consists of solid Maple sides and shelves. Back is edgebanded plywood.

ROLL TRAY
KITS

FILLERS

PANELS &
SKIN

CUTLERY
INSERT

**PAN
STORAGE**

TIERED CUTLERY
DIVIDER

TILT OUT
TRAY

VALANCES

OVEN
INSTALLATION KIT

HARDWARE

Why
Diamond One

How to
Order

Doors

Finishes

Construction

Mods &
Glass

Wall

Base

Tall

Vanity

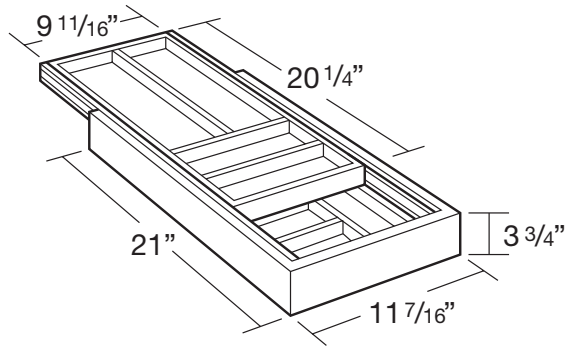
Universal
Access

Moulding

Accessories

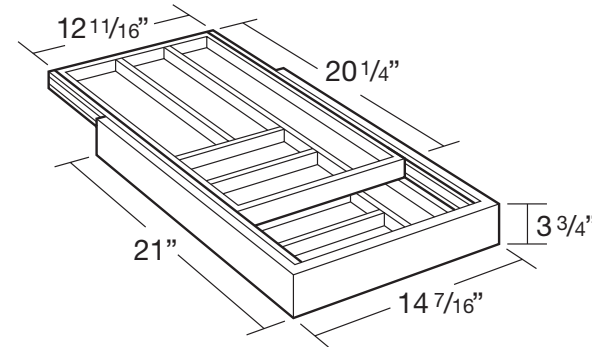
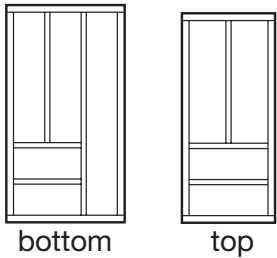
Service &
Policies

WOOD TIERED CUTLERY DIVIDER DRAWER



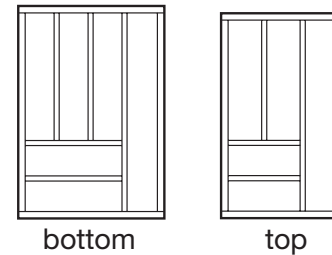
WTCD15

- Replaces standard drawer. Uses existing cabinet member drawer hardware.
- Requires field installation of drawer front.
- For use with 24" deep cabinets only.
- Exterior WTCD drawer box height is 3 3/4", interior height of top and bottom tier is 1 3/8".
- Top divider slides front-to-back.
- For use with 15" Base
- Modifications are not available.



WTCD18

- Replaces standard drawer. Uses existing cabinet member drawer hardware.
- Requires field installation of drawer front.
- For use with 24" deep cabinets only.
- Exterior WTCD drawer box height is 3 3/4", interior height of top and bottom tier is 1 3/8".
- Top divider slides front-to-back.
- For use with 18" Base
- Modifications are not available.



ROLL TRAY KITS

FILLERS

PANELS & SKIN

CUTLERY INSERT

PAN STORAGE

TIERED CUTLERY DIVIDER

TILT OUT TRAY

VALANCES

OVEN INSTALLATION KIT

HARDWARE

Why Diamond One

How to Order

Doors

Finishes

Construction

Mods & Glass

Wall

Base

Tall

Vanity

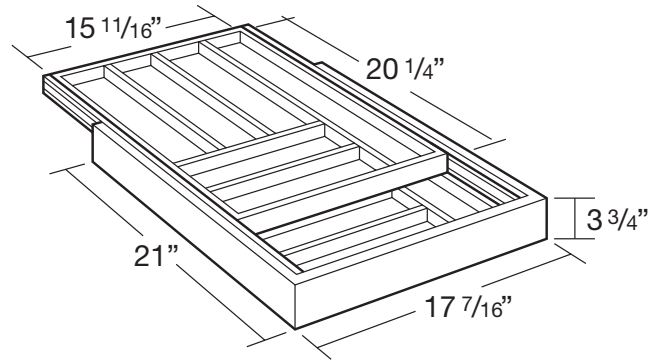
Universal Access

Moulding

Accessories

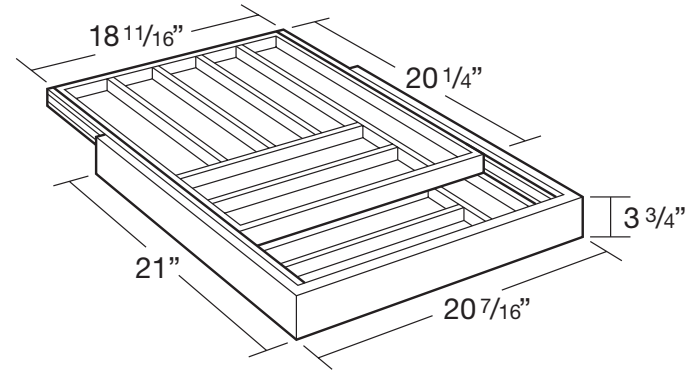
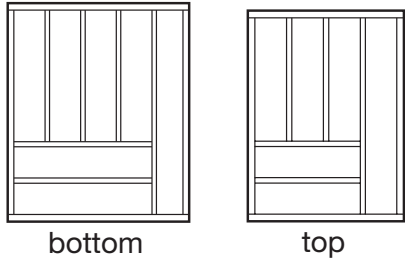
Service & Policies

WOOD TIERED CUTLERY DIVIDER DRAWER



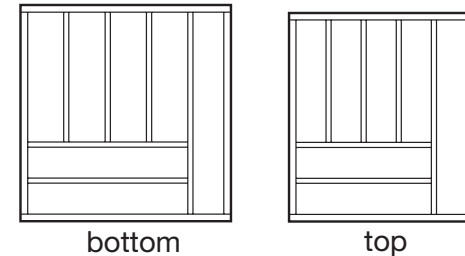
WTCD21

- Replaces standard drawer. Uses existing cabinet member drawer hardware.
- Requires field installation of drawer front.
- For use with 24" deep cabinets only.
- Exterior WTCD drawer box height is 3 3/4", interior height of top and bottom tier is 1 3/8".
- Top divider slides front-to-back.
- For use with 21" Base
- Modifications are not available.



WTCD24

- Replaces standard drawer. Uses existing cabinet member drawer hardware.
- Requires field installation of drawer front.
- For use with 24" deep cabinets only.
- Exterior WTCD drawer box height is 3 3/4", interior height of top and bottom tier is 1 3/8".
- Top divider slides front-to-back.
- For use with 24" Base
- Modifications are not available.



ROLL TRAY KITS

FILLERS

PANELS & SKIN

CUTLERY INSERT

PAN STORAGE

TIERED CUTLERY DIVIDER

TILT OUT TRAY

VALANCES

OVEN INSTALLATION KIT

HARDWARE

Why Diamond One

How to Order

Doors

Finishes

Construction

Mods & Glass

Wall

Base

Tall

Vanity

Universal Access

Moulding

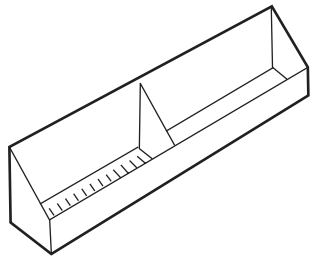
Accessories

Service & Policies

TILT-OUT TRAY, PLASTIC



3 3/4" HEIGHT
2" DEPTH
11", 14 1/2" WIDE



TOT15
TOT18

Model

TOT15
TOT18

Size

11"w x 2"d x 3 3/4"h
14 1/4"w x 2"d x 3 3/4"h

Application

SB30, SB33
SB36, SB39, SB42, SB24, SB27

- Kit includes two white plastic trays and one pair of tilt-out hinges that attaches to the inside of the false panel.
- One tilt-out tray per false panel on cabinets less than 30" wide and greater than 36" wide, two tilt-out trays attached to one false panel on 30"-36" wide cabinets.
- Clean using a mild soap and water. Avoid scalding water.
- Tilt-out trays are stain resistant, moisture resistant plastic to allow storage of sponges and other cleaning materials.
- Modifications are not available.

ROLL TRAY
KITS

FILLERS

PANELS &
SKIN

CUTLERY
INSERT

PAN
STORAGE

TIERED CUTLERY
DIVIDER

**TILT OUT
TRAY**

VALANCES

OVEN
INSTALLATION KIT

HARDWARE

Why
Diamond One

How to
Order

Doors

Finishes

Construction

Mods &
Glass

Wall

Base

Tall

Vanity

Universal
Access

Moulding

Accessories

Service &
Policies

STRAIGHT VALANCE



4 1/2" HEIGHT
3/4" DEPTH
48", 96" WIDE



VV48
VV96

- Trimmable.
- Profiled bottom edge
- 3/4" thick.
- Painted will be used for TrueColor™.
- Modifications are not available.

ROLL TRAY
KITS

FILLERS

PANELS &
SKIN

CUTLERY
INSERT

PAN
STORAGE

TIERED CUTLERY
DIVIDER

TILT OUT
TRAY

VALANCES

OVEN
INSTALLATION KIT

HARDWARE

Why
Diamond One

How to
Order

Doors

Finishes

Construction

Mods &
Glass

Wall

Base

Tall

Vanity

Universal
Access

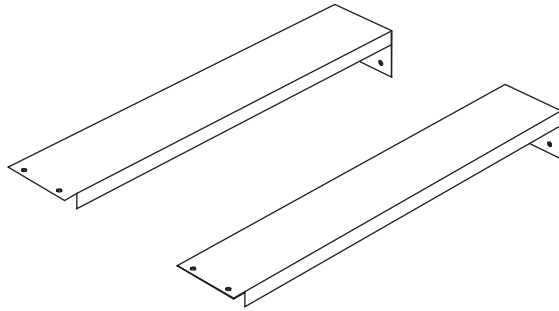
Moulding

Accessories

Service &
Policies

OVEN INSTALLATION KIT

OCINSTALLKIT



- Recommended for supporting built-in appliances such as ovens, microwaves, and warming drawers. Refer to appliance manufacturer specifications for installation requirements.
- Weight limit is 400 lbs. per pair.
- Modifications are not available.

ROLL TRAY
KITS

FILLERS

PANELS &
SKIN

CUTLERY
INSERT

PAN
STORAGE

TIERED CUTLERY
DIVIDER

TILT OUT
TRAY

VALANCES

**OVEN
INSTALLATION KIT**

HARDWARE

Why
Diamond One

How to
Order

Doors

Finishes

Construction

Mods &
Glass

Wall

Base

Tall

Vanity

Universal
Access

Moulding

Accessories

Service &
Policies



ANTIQUE PEWTER



BLACK



GOLD



SATIN NICKEL



STAINLESS STEEL



TUSCAN BRONZE

ANTIQUE
PEWTER

BLACK

GOLD

SATIN
NICKEL

STAINLESS
STEEL

TUSCAN
BRONZE

VINTAGE KNOB – ANTIQUE PEWTER



KNOBM206



- D: 1 1/4"
- P: 1 1/16"

VINTAGE 5" PULL – ANTIQUE PEWTER



PULLM475



- C/C: 3 3/4"
- L: 5"
- W: 9/16"
- P: 1"

ANTIQU
PEWTER

BLACK

GOLD

SATIN
NICKEL

STAINLESS
STEEL

TUSCAN
BRONZE

Why
Diamond One

How to
Order

Doors

Finishes

Construction

Mods &
Glass

Wall

Base

Tall

Vanity

Universal
Access

Moulding

Accessories

Service &
Policies

CRAFTSMAN KNOB – BLACK



KNOBT1017



- C/C: 1 1/4"
- L: 2"
- W: 11/16"
- P: 1 1/4"
- Pairs best with PULLT1015

8" CRAFTSMAN PULL – BLACK



PULLT1015



- C/C: 7"
- L: 8"
- W: 11/16"
- P: 1 1/2"
- Pairs best with KNOBT1017

ANTIQUE
PEWTER

BLACK

GOLD

SATIN
NICKEL

STAINLESS
STEEL

TUSCAN
BRONZE

Why
Diamond One

How to
Order

Doors

Finishes

Construction

Mods &
Glass

Wall

Base

Tall

Vanity

Universal
Access

Moulding

Accessories

Service &
Policies

MODERN KNOB – BLACK



KNOBH136



- L: 1 3/4"
- W: 1/2"
- P: 1 1/8"
- B: 1/2"

6" MODERN PULL – BLACK



PULLH130



- C/C: 128mm
- L: 6 3/8"
- W: 7/16"
- P: 1 1/8"

ANTIQUE
PEWTER

BLACK

GOLD

SATIN
NICKEL

STAINLESS
STEEL

TUSCAN
BRONZE

Why
Diamond One

How to
Order

Doors

Finishes

Construction

Mods &
Glass

Wall

Base

Tall

Vanity

Universal
Access

Moulding

Accessories

Service &
Policies

10" MODERN PULL – BLACK



PULLH132



- C/C: 224mm
- L: 10"
- W: 1/2"
- P: 1 3/8"

ANTIQU
PEWTER

BLACK

GOLD

SATIN
NICKEL

STAINLESS
STEEL

TUSCAN
BRONZE

Why
Diamond One

How to
Order

Doors

Finishes

Construction

Mods &
Glass

Wall

Base

Tall

Vanity

Universal
Access

Moulding

Accessories

Service &
Policies

CONTEMPORARY KNOB – GOLD



KNOB1909



- L: 1 1/4"
- W: 1 1/4"
- P: 1 1/8"
- B: 3/4"
- Pairs best with PULL1911

TRANSITIONAL 8" PULL – GOLD



PULL1911



- C/C: 192mm
- L: 8 3/8"
- W: 3/4"
- P: 1 1/4"
- Pairs best with KNOB1909

ANTIQU
PEWTER

BLACK

GOLD

SATIN
NICKEL

STAINLESS
STEEL

TUSCAN
BRONZE

Why
Diamond One

How to
Order

Doors

Finishes

Construction

Mods &
Glass

Wall

Base

Tall

Vanity

Universal
Access

Moulding

Accessories

Service &
Policies

CONTEMPORARY KNOB – GOLD



KNOB1908



- L: 1 1/4"
- W: 1 1/4"
- P: 1"
- B: 3/8"
- Pairs best with PULL1907

CONTEMPORARY 7" PULL – GOLD



PULL1907



- C/C: 160mm
- L: 6 7/10"
- W: 2/5"
- P: 1 1/5"
- Pairs best with KNOB1908

ANTIQU
PEWTER

BLACK

GOLD

SATIN
NICKEL

STAINLESS
STEEL

TUSCAN
BRONZE

Why
Diamond One

How to
Order

Doors

Finishes

Construction

Mods &
Glass

Wall

Base

Tall

Vanity

Universal
Access

Moulding

Accessories

Service &
Policies

SQUARE KNOB – SATIN NICKEL



KNOBH118



- L: 1 5/16"
- W: 1 5/16"
- P: 1 3/16"
- B: 7/8"

5" CLASSIC PULL – SATIN NICKEL



PULLH50



- C/C: 5"
- L: 5"
- W: 5/16"
- P: 1 1/4"

ANTIQU
PEWTER

BLACK

GOLD

**SATIN
NICKEL**

STAINLESS
STEEL

TUSCAN
BRONZE

Why
Diamond One

How to
Order

Doors

Finishes

Construction

Mods &
Glass

Wall

Base

Tall

Vanity

Universal
Access

Moulding

Accessories

Service &
Policies

7" FINGER PULL – SATIN NICKEL



PULLH106



- C/C: 160mm
- L: 7"
- W: 1"
- P: 1 3/4"
- Pairs best with PULLH105

2" FINGER PULL – SATIN NICKEL



PULLH105



- C/C: 1"
- L: 1 3/4"
- W: 1"
- P: 1 3/4"
- Pairs best with PULLH106

ANTIQU
PEWTER

BLACK

GOLD

**SATIN
NICKEL**

STAINLESS
STEEL

TUSCAN
BRONZE

Why
Diamond One

How to
Order

Doors

Finishes

Construction

Mods &
Glass

Wall

Base

Tall

Vanity

Universal
Access

Moulding

Accessories

Service &
Policies

4" RECTANGULAR PULL – SATIN NICKEL



PULLH63



- C/C: 96mm
- L: 4 1/8"
- W: 1/2"
- P: 1 1/16"

TRADITIONAL KNOB – SATIN NICKEL



KNOB1420



- D: 1 1/4"
- P: 1 1/8"

ANTIQU
PEWTER

BLACK

GOLD

**SATIN
NICKEL**

STAINLESS
STEEL

TUSCAN
BRONZE

Why
Diamond One

How to
Order

Doors

Finishes

Construction

Mods &
Glass

Wall

Base

Tall

Vanity

Universal
Access

Moulding

Accessories

Service &
Policies

7" BAR PULL – SATIN NICKEL



PULLM430



- C/C: 5 1/16"
- L: 7"
- W: 15/32"
- P: 1 7/16"

ANTIQU
PEWTER

BLACK

GOLD

**SATIN
NICKEL**

STAINLESS
STEEL

TUSCAN
BRONZE

Why
Diamond One

How to
Order

Doors

Finishes

Construction

Mods &
Glass

Wall

Base

Tall

Vanity

Universal
Access

Moulding

Accessories

Service &
Policies

MODERN KNOB – STAINLESS STEEL



KNOBH135



- L: 1 3/4"
- W: 1/2"
- P: 1 1/8"
- B: 1/2"
- Pairs best with PULLH129 or PULLH131

6" MODERN PULL – STAINLESS STEEL



PULLH129



- C/C: 128mm
- L: 6 3/8"
- W: 7/16"
- P: 1 1/8"
- Pairs best with KNOBH135 or PULLH131

ANTIQU
PEWTER

BLACK

GOLD

SATIN
NICKEL

**STAINLESS
STEEL**

TUSCAN
BRONZE

Why
Diamond One

How to
Order

Doors

Finishes

Construction

Mods &
Glass

Wall

Base

Tall

Vanity

Universal
Access

Moulding

Accessories

Service &
Policies

10" MODERN PULL – STAINLESS STEEL



PULLH131



- C/C: 224mm
- L: 10"
- W: 1/2"
- P: 1 3/8"
- Pairs best with KNOBH135 or PULLH129

VINTAGE KNOB – TUSCAN BRONZE



KNOBT013



- D: 1 1/4"
- P: 1 1/16"

ANTIQU
PEWTER

BLACK

GOLD

SATIN
NICKEL

**STAINLESS
STEEL**

**TUSCAN
BRONZE**

Why
Diamond One

How to
Order

Doors

Finishes

Construction

Mods &
Glass

Wall

Base

Tall

Vanity

Universal
Access

Moulding

Accessories

Service &
Policies

BUMPER PADS



BUMPERPADS



• Comes in pack of 25

ROLL TRAY
KITS

FILLERS

PANELS &
SKIN

CUTLERY
INSERT

PAN
STORAGE

TIERED CUTLERY
DIVIDER

TILT OUT
TRAY

VALANCES

OVEN
INSTALLATION KIT

HARDWARE

**MISCELLANEOUS
PARTS**

Why
Diamond One

How to
Order

Doors

Finishes

Construction

Mods &
Glass

Wall

Base

Tall

Vanity

Universal
Access

Moulding

Accessories

Service &
Policies

ROLL TRAY BACK SOCKETS

BKSOCKET-RTSC



- BKSOCKET-RTSC used with soft-close roll tray guides (15"-24" deep).
- Sold in pairs.

DRAWER GUIDE BACK SOCKETS

BKSOCKET-SC



- BKSOCKET-SC used with soft-close drawer guides (15"-24" deep).
- Sold in pairs.

ROLL TRAY
KITS

FILLERS

PANELS &
SKIN

CUTLERY
INSERT

PAN
STORAGE

TIERED CUTLERY
DIVIDER

TILT OUT
TRAY

VALANCES

OVEN
INSTALLATION KIT

HARDWARE

**MISCELLANEOUS
PARTS**

Why
Diamond One

How to
Order

Doors

Finishes

Construction

Mods &
Glass

Wall

Base

Tall

Vanity

Universal
Access

Moulding

Accessories

Service &
Policies

DRAWER GUIDE BOX LOCKS

DGBOXLOCKSC



- DGBOXLOCKSC used with soft-close drawer guides (15"-24" deep).
- Sold in pairs.

ROLL TRAY KITS FILLERS PANELS & SKIN CUTLERY INSERT PAN STORAGE TIERED CUTLERY DIVIDER TILT OUT TRAY VALANCES OVEN INSTALLATION KIT HARDWARE **MISCELLANEOUS PARTS**

Why Diamond One

How to Order

Doors

Finishes

Construction

Mods & Glass

Wall

Base

Tall

Vanity

Universal Access

Moulding

Accessories

Service & Policies

DRAWER GUIDE KIT - SOFT-CLOSE PREMIUM ROLL TRAY GUIDE

DGKIT24RTSC



- Undermount full extension soft-close premium guide utilized on roll trays.
- 75 lb. weight capacity per pair.
- Kit includes guide hardware for one roll tray (cabinets and drawer members, sockets and screws).
- Dimension refers to cabinet depth.

DRAWER GUIDE KIT - SOFT-CLOSE PREMIUM GUIDE



DGKIT21SC
DGKIT24SC

- Undermount full extension soft-close premium guide utilized on all standard height wood dovetail cabinet drawers and deep drawers.
- 75 lb. weight capacity per pair.
- Kit includes guide hardware for one drawer box (cabinets and drawer members, sockets and screws).
- Dimension refers to cabinet depth.

ROLL TRAY KITS FILLERS PANELS & SKIN CUTLERY INSERT PAN STORAGE TIERED CUTLERY DIVIDER TILT OUT TRAY VALANCES OVEN INSTALLATION KIT HARDWARE MISCELLANEOUS PARTS

Why Diamond One

How to Order

Doors

Finishes

Construction

Mods & Glass

Wall

Base

Tall

Vanity

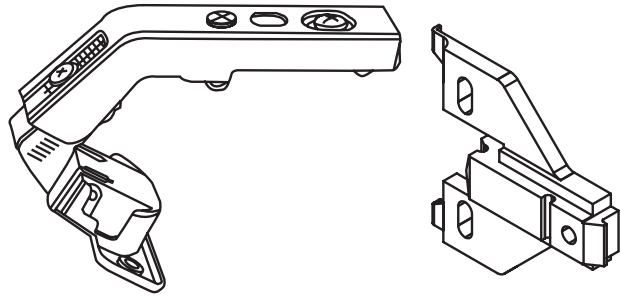
Universal Access

Moulding

Accessories

Service & Policies

90° CORNER CENTER CUP HINGE

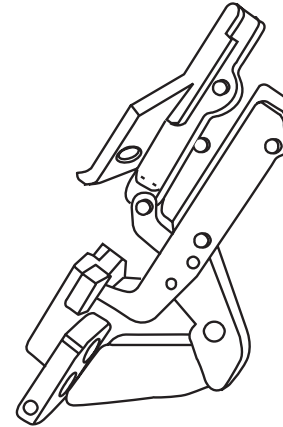


32049HINGE



- 90° Corner Self-closing Center Hinge
- For use as center hinge on BLS, SLS, BER, and ER cabinets.
- Sold in pairs.

FULL/PARTIAL OVERLAY HINGE



942HINGE



- 170° Hinge
- For use on BLS, SLS, BER, and ER cabinets.
- Sold in pairs.

[ROLL TRAY KITS](#)
[FILLERS](#)
[PANELS & SKIN](#)
[CUTLERY INSERT](#)
[PAN STORAGE](#)
[TIERED CUTLERY DIVIDER](#)
[TILT OUT TRAY](#)
[VALANCES](#)
[OVEN INSTALLATION KIT](#)
[HARDWARE](#)
[MISCELLANEOUS PARTS](#)

[Why Diamond One](#)

[How to Order](#)

[Doors](#)

[Finishes](#)

[Construction](#)

[Mods & Glass](#)

[Wall](#)

[Base](#)

[Tall](#)

[Vanity](#)

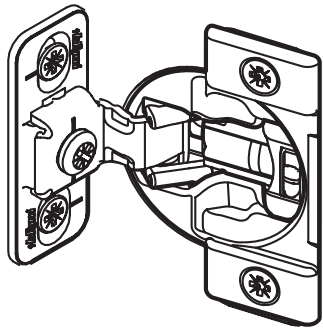
[Universal Access](#)

[Moulding](#)

[Accessories](#)

[Service & Policies](#)

4-WAY ADJUSTABLE, FACEMOUNT 107° HINGE WITH INTEGRATED SOFT-CLOSE

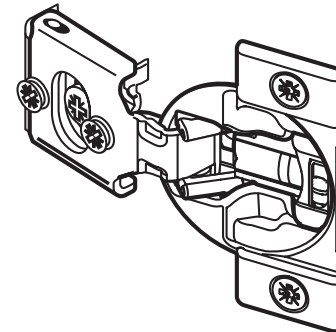


38BFOVHINGE



- Integrated soft-close.
- 4-way adjustable.
- Full overlay face-mount 107° hinge.
- For use on OCD and OS3D, and 36"-42" high WBMW cabinets.
- Sold in pairs.

INTEGRATED SOFT-CLOSE 6-WAY ADJUSTABLE PARTIAL OVERLAY 107° HINGE



38NPOHINGE

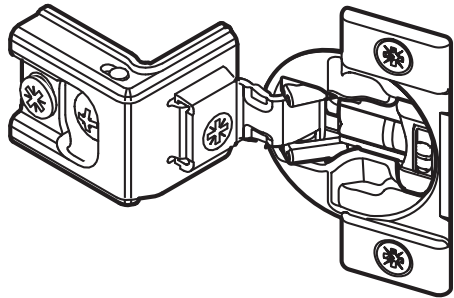


- Integrated soft-close.
- 6-way adjustable.
- 1/2" partial overlay 107° hinge.
- For use on all partial overlay cabinets not specified by other hinges.
- For use on full overlay styles: Diagonal Wall Cabinets and 36" Angled Corner Sink Bases and Fronts.
- Sold in pairs.

[ROLL TRAY KITS](#)
[FILLERS](#)
[PANELS & SKIN](#)
[CUTLERY INSERT](#)
[PAN STORAGE](#)
[TIERED CUTLERY DIVIDER](#)
[TILT OUT TRAY](#)
[VALANCES](#)
[OVEN INSTALLATION KIT](#)
[HARDWARE](#)
[MISCELLANEOUS PARTS](#)

[Why Diamond One](#)
[How to Order](#)
[Doors](#)
[Finishes](#)
[Construction](#)
[Mods & Glass](#)
[Wall](#)
[Base](#)
[Tall](#)
[Vanity](#)
[Universal Access](#)
[Moulding](#)
[Accessories](#)
[Service & Policies](#)

INTEGRATED SOFT-CLOSE 6-WAY ADJUSTABLE FULL OVERLAY 107° HINGE

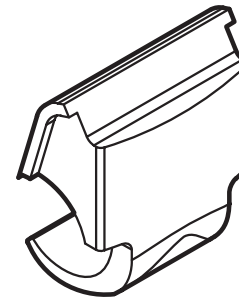


38CFOHINGE



- Integrated soft-close.
- 6-way adjustable.
- Full overlay 107° hinge.
- For use on full overlay cabinets not specified by other hinges.
- Sold in pairs.

HINGE ANGLE RESTRICTION CLIP



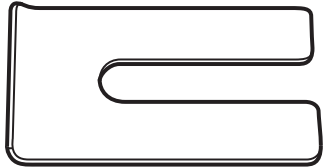
HINGERESCLIP



- For use in applications with cabinets installed at varying depths to prevent the door damage caused by opening into an adjacent cabinet.
- Restricts hinges to 86° opening capability.
- Works only with the 38NPOHINGE and 38CFOHINGE.
- Not recommended for cabinets with roll trays specified in partial overlay styles.
- Sold in pairs.

[ROLL TRAY KITS](#)
[FILLERS](#)
[PANELS & SKIN](#)
[CUTLERY INSERT](#)
[PAN STORAGE](#)
[TIERED CUTLERY DIVIDER](#)
[TILT OUT TRAY](#)
[VALANCES](#)
[OVEN INSTALLATION KIT](#)
[HARDWARE](#)
[MISCELLANEOUS PARTS](#)

HINGE SHIM



HINGESHIM5



- Install between the face frame and hinge to allow additional adjustment of doors. Can be used to reduce gap between butt doors.
- Each shim is 1/32" thick and can be stacked to achieve desired overlay reduction.
- Pack of 5 metal shims.
- Compatible with all hinges except face-mount.

INSTALL SCREWS

INSTALLSCR4



- INSTALLSCR4 are screws for cabinet installation through the cabinet back to the wall studs (includes a pack of 4).

ROLL TRAY
KITS

FILLERS

PANELS &
SKIN

CUTLERY
INSERT

PAN
STORAGE

TIERED CUTLERY
DIVIDER

TILT OUT
TRAY

VALANCES

OVEN
INSTALLATION KIT

HARDWARE

MISCELLANEOUS
PARTS

Why
Diamond One

How to
Order

Doors

Finishes

Construction

Mods &
Glass

Wall

Base

Tall

Vanity

Universal
Access

Moulding

Accessories

Service &
Policies

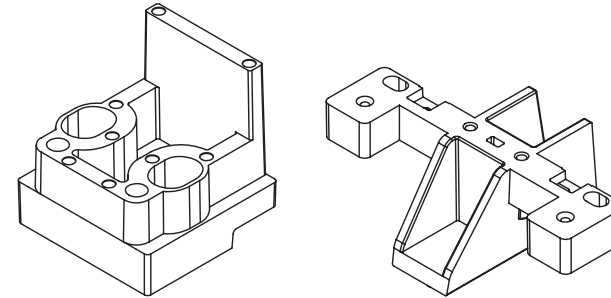
RETAINER CLIPS

RETCLIP250BAG



- 6 retainer clips for use with glass inserts in mullion and cut-for-glass doors. For use on all styles except TrueColor™ doors.

ROLL TRAY PLUG IN BRACKET



RTBK SXSP



- For use with roll tray hardware to prevent interference with door hinges. Also included in roll tray hardware kit.
- RTBK SXSP for use with standard roll trays.
- Includes four end panel brackets, two vertical stile brackets, and screws.

ROLL TRAY KITS FILLERS PANELS & SKIN CUTLERY INSERT PAN STORAGE TIERED CUTLERY DIVIDER TILT OUT TRAY VALANCES OVEN INSTALLATION KIT HARDWARE MISCELLANEOUS PARTS

Why Diamond One

How to Order

Doors

Finishes

Construction

Mods & Glass

Wall

Base

Tall

Vanity

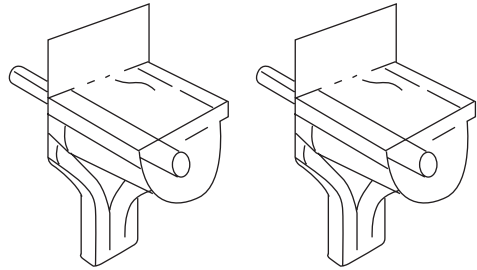
Universal Access

Moulding

Accessories

Service & Policies

SHELF PEGS



SHELFPEGS



- 3mm steel pins with clear plastic shoulders.
- Comes in a pack of 24

ROLL TRAY
KITS

FILLERS

PANELS &
SKIN

CUTLERY
INSERT

PAN
STORAGE

TIERED CUTLERY
DIVIDER

TILT OUT
TRAY

VALANCES

OVEN
INSTALLATION KIT

HARDWARE

MISCELLANEOUS
PARTS

Why
Diamond One

How to
Order

Doors

Finishes

Construction

Mods &
Glass

Wall

Base

Tall

Vanity

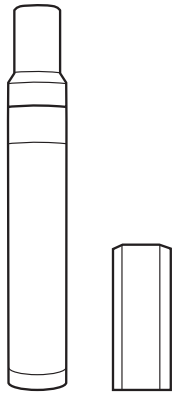
Universal
Access

Moulding

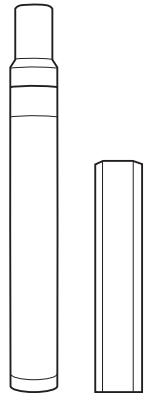
Accessories

Service &
Policies

TOUCH-UP TOOLS



MTUK

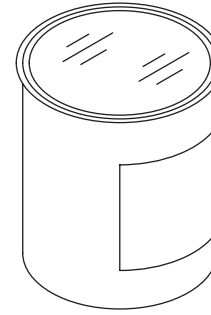


TUK

MTUK TUK

- Touch-up Kit includes a full size touch-up marker and a full size fill stick.
- Mini Touch-up Kit includes a small touch-up marker and a small fill stick.

STAIN AND PAINT



QUARTCOLOR SSC SSCCLEAR

- Wiping stains can be sprayed at low pressure.
- Specify finish name and wood type when ordering stain.
- QUARTCOLOR sold in quarts.
- SSC is a 384 mL aerosol can available in Paints and TrueColor™ colors.
- SSCCLEAR is a 384 mL aerosol can in clear.

TOUCH-UP TOOLS

STAIN AND PAINT

Why
Diamond One

How to
Order

Doors

Finishes

Construction

Mods &
Glass

Wall

Base

Tall

Vanity

Universal
Access

Moulding

Accessories

Service &
Policies



Phone: 1-800-766-1126

Email: Diamondone@masterbrand.com

Hours: Monday - Friday - 7:30 AM – 8:00 PM EST
Saturday - 9:00 AM – 1:00 PM EST



CUSTOMER SERVICE

RETURN POLICY

HOME DELIVERY

TIPS FOR INSTALLER

ONLINE RESOURCES

EXPRESS RESPONSE GUIDELINES

Why Diamond One

How to Order

Doors

Finishes

Construction

Mods & Glass

Wall

Base

Tall

Vanity

Universal Access

Moulding

Accessories

Service & Policies

ALL QUALIFYING RETURNED PRODUCT IS SUBJECT TO A 20% RESTOCK FEE

- Product must be returned within 90 days from delivery date
- Product that has been installed is not eligible for return
- Product that has been modified (in the factory or the field) is not eligible for return
- Special Product Requests (SPR) and Special Sales Orders (SSO) are not eligible for return

HOME DELIVERY FEES

- Home Delivery Fees are Non-refundable

DAMAGED, DEFECTIVE OR INCORRECTLY SHIPPED PRODUCT

- Qualifying Product eligible for 100% Credit
- No Redelivery Charge
- New Purchase Order needed if Store Delivered

CANCELED PRODUCT

- No Penalty for changes or cancellations made within 24 hours of Order Acknowledgment
- Qualifying Product canceled after 24 hours of order acknowledgement is eligible for 80% credit

MISORDERED PRODUCT

- Qualifying Misordered Product is eligible for 80% credit
- Redelivery Charge applies for Home Delivery
- New purchase order is required

RETURNED PRODUCT

- Returns or replacements of three or more cabinets must be picked up by vendor in order to receive a return of goods authorization on qualifying returns
- Returns/replacements of two or less cabinets should be donated or field destroyed

Changes made to delivery date after production starts could result in storage fees and additional charges to the customer.

CUSTOMER SERVICE

RETURN POLICY

HOME DELIVERY

TIPS FOR INSTALLER

ONLINE RESOURCES

EXPRESS RESPONSE GUIDELINES

Why Diamond One

How to Order

Doors

Finishes

Construction

Mods & Glass

Wall

Base

Tall

Vanity

Universal Access

Moulding

Accessories

Service & Policies

- The home delivery agent will contact the consumer to schedule a delivery date and four (4) hour window for the delivery appointment. Deliveries are typically scheduled Monday through Friday.
- The standard home delivery fee applies for US mainland deliveries within 50 miles of any store. Please contact Customer Service for deliveries outside these parameters.
- An adult (age 18 years or older) must be present at the time of delivery. It will be considered a no-show or refusal if the consumer is not present at the time of the scheduled delivery.
- Space has to be cleared and ready for delivery prior to driver team arrival (driver teams are not allowed to move personal belongings).
- Delivery service will be provided to the consumer's garage, first floor with paved street access, or accessible new construction area unless alternative arrangements were discussed prior to delivery.
- Delivery service is to be provided by the delivery personnel without any assistance from the consumer and without damage to the product.
- Indicate any visible damage to packaging or missing cartons on the delivery receipt (bill of lading) given to you by the carrier. After completing the delivery receipt, sign and return the document (see next two points below) to the delivery personnel. They will sign the receipt and provide you with a copy.
- Be sure to count the number of cabinets and pieces to ensure that your order is complete while the driver is present. If there are missing pieces, clearly mark the document as "Short" with the number of pieces prior to signing.
- At the time of delivery, please complete a visual inspection of all boxes for any clear and visible damage. If there are visibly damaged pieces, clearly mark the document as "Damaged" with the number of pieces prior to signing.
- Any missing or damaged items must be reported to Customer Service within 90 days of delivery date.

DISCONTINUED PRODUCT POLICY

Product will no longer be available for order after the discontinuation date. Only warranty orders will be considered. Even with warranty orders we will have the option to replace consumer's defective product with the same discontinued product they originally purchased or replace all doors originally ordered with a current product that is similar in appearance.

Remember: It is always good to remind your customer that they should not remove existing kitchen components until their cabinet order has arrived and the order has been checked.

CUSTOMER
SERVICE

RETURN
POLICY

**HOME
DELIVERY**

TIPS FOR
INSTALLER

ONLINE
RESOURCES

EXPRESS RESPONSE
GUIDELINES

Why
Diamond One

How to
Order

Doors

Finishes

Construction

Mods &
Glass

Wall

Base

Tall

Vanity

Universal
Access

Moulding

Accessories

Service &
Policies

TIPS TO THE INSTALLER

Wood Dust Warning

When cutting, sanding, sawing, or shaping cabinets or wood products, you are likely to generate wood dust. For your own safety, we recommend that you wear a protective mask to prevent breathing wood dust. We also recommend eye protection to avoid injury by flying wood chips or sawdust during cabinet installation.

ANSI A161.1

Our products meet or exceed the ANSI A161.1 performance and construction standards for kitchen and vanity cabinets as certified by ICC-ES (International Code Council Evaluation Service). Learn more at masterbrandcabinets.com/certifications.

TSCA Title VI

TSCA Title VI is a U.S. regulation that sets formaldehyde emissions standards for composite wood products, such as hardwood plywood, medium density fiberboard, and particleboard, as well as products containing them, such as furniture. It requires composite wood products to be tested and certified by EPA-recognized third-party certifiers using specific methods. This federal regulation applies to all states and territories in the U.S. and is identical to the California Air Resources Board (CARB) rule. Learn more at masterbrandcabinets.com/certifications.

CARB Compliance - Formaldehyde Emissions

We are committed to offering solutions that meet or exceed air emissions rules and regulations. All composite wood products used in the construction of our cabinets, which includes end panels, bottoms, backs, shelves, toekicks and corner blocks, are compliant with emissions limits under EPA TSCA Title VI, CARB Phase 2 and HUD.

Remember: It is always good to remind your customer that they should not remove existing kitchen components until their cabinet order has arrived and the order has been checked.

CUSTOMER
SERVICE

RETURN
POLICY

HOME
DELIVERY

**TIPS FOR
INSTALLER**

ONLINE
RESOURCES

EXPRESS RESPONSE
GUIDELINES

Why
Diamond One

How to
Order

Doors

Finishes

Construction

Mods &
Glass

Wall

Base

Tall

Vanity

Universal
Access

Moulding

Accessories

Service &
Policies

Warranty

www.diamondatlowes.com/warranty

Humidification

www.masterbrandcabinets.com/humidification

Cabinet Care and Cleaning

www.masterbrandcabinets.com/care-and-cleaning

Cabinet Installation Instructions:

www.masterbrandcabinets.com/installation

CUSTOMER
SERVICE

RETURN
POLICY

HOME
DELIVERY

TIPS FOR
INSTALLER

**ONLINE
RESOURCES**

EXPRESS RESPONSE
GUIDELINES

Why
Diamond One

How to
Order

Doors

Finishes

Construction

Mods &
Glass

Wall

Base

Tall

Vanity

Universal
Access

Moulding

Accessories

Service &
Policies



Purpose

The Express Response™ program is used to expedite orders when customers need product faster than normal lead-time to correct issues with an existing order. Below is an overview of the Express Response program and what you can expect from our commitment to superior service.

Express Response Guidelines

- Eligible orders must be associated with a previous order number.
- All eligible orders received by 12 NOON E.T. Monday-Friday will be automatically scheduled for Express Response that same day. Orders received after the cut-off will be processed on the next business day.
- Lead time calculation is based on receipt of a clean order. Clean orders are orders in which all information is provided and accurate.
- There is no additional upcharge for Express Response.
- There are no cancellations or returns once an Express Response order is received.
- Due to the nature of Special Product Requests and appliance panels, they are excluded from Express Response and will be processed as a standard lead-time order.
- Express Response is available within the continental United States. Should Alaska, Hawaii or international shipments be required, customer service representatives are ready to assist by providing shipping information and determining lead times.

Questions?

Contact Customer Service or visit Order Tracker for estimated lead times.

[CUSTOMER SERVICE](#)

[RETURN POLICY](#)

[HOME DELIVERY](#)

[TIPS FOR INSTALLER](#)

[ONLINE RESOURCES](#)

[EXPRESS RESPONSE GUIDELINES](#)

[Why Diamond One](#)

[How to Order](#)

[Doors](#)

[Finishes](#)

[Construction](#)

[Mods & Glass](#)

[Wall](#)

[Base](#)

[Tall](#)

[Vanity](#)

[Universal Access](#)

[Moulding](#)

[Accessories](#)

[Service & Policies](#)